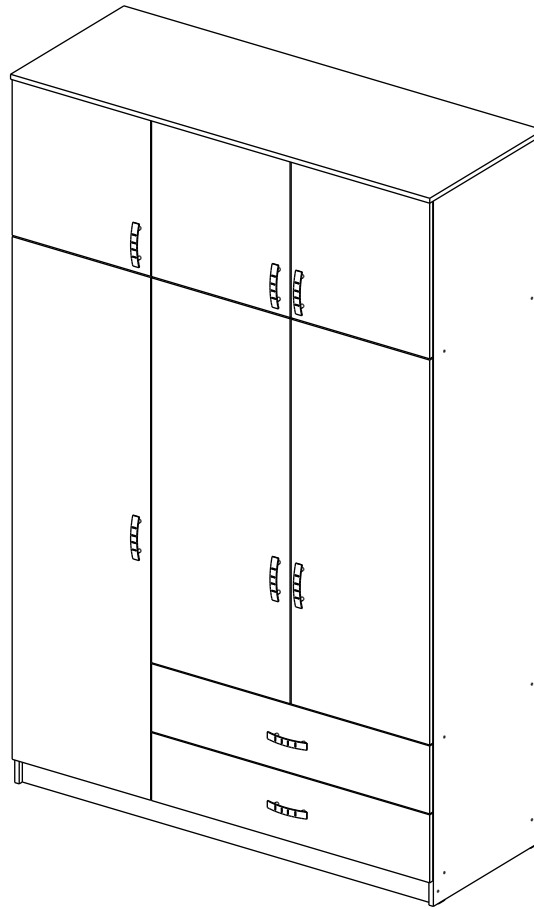
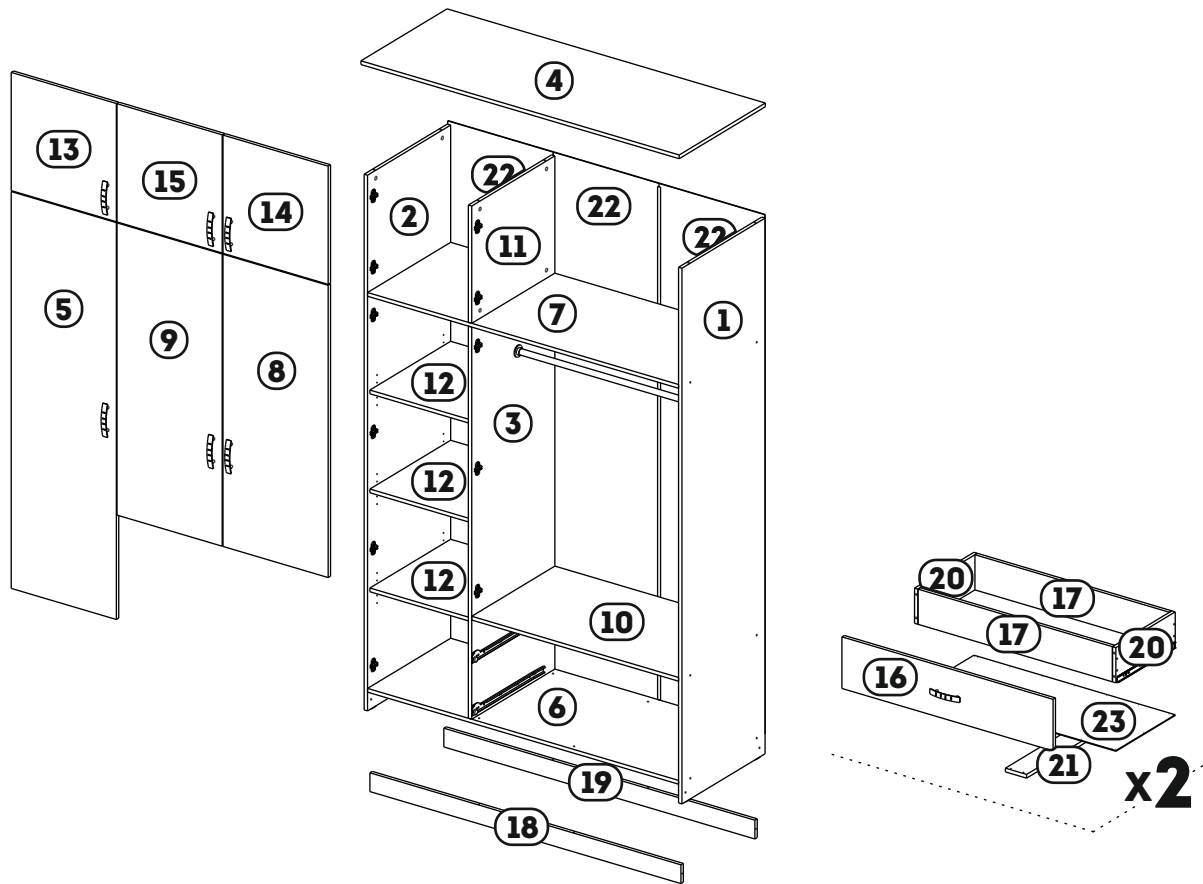


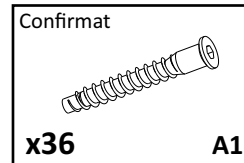
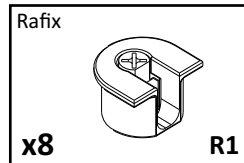
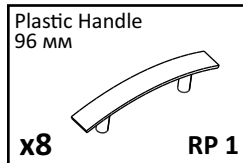
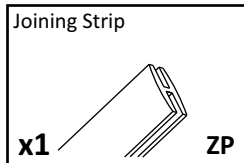
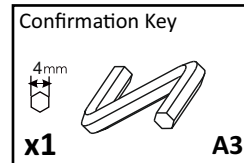
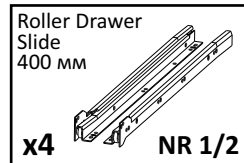
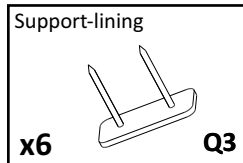
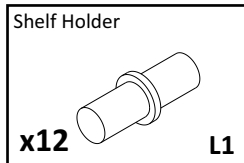
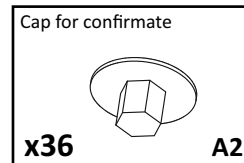
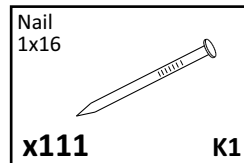
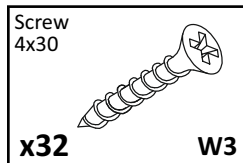
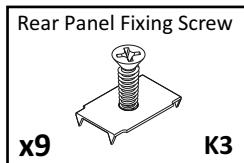
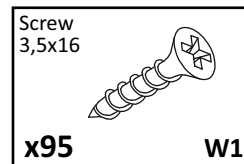
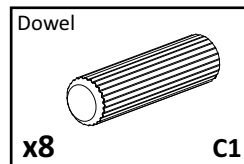
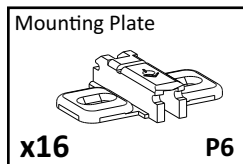
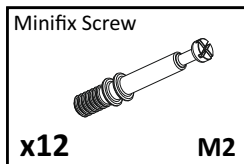
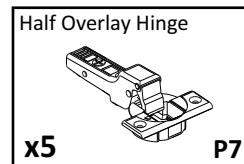
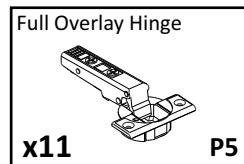
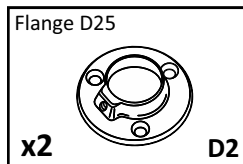
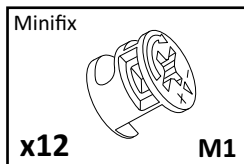


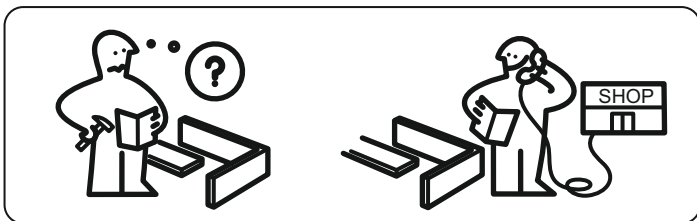
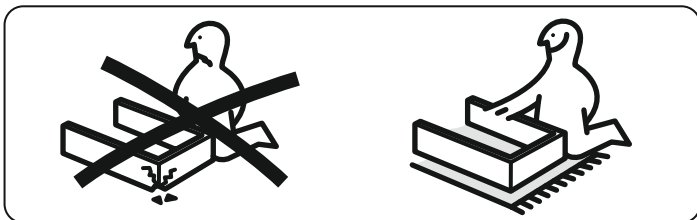
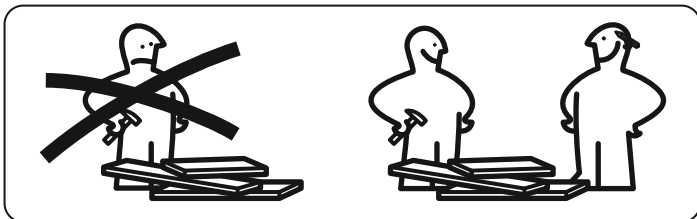
361-000067





| No | a*b | X | Pack |
|----|----------|---|------|
| 1 | 2284x560 | 1 | 1 |
| 2 | 2284x560 | 1 | 1 |
| 3 | 1672x560 | 1 | 4 |
| 4 | 1501x580 | 1 | 3 |
| 5 | 1692x496 | 1 | 2 |
| 6 | 1467x560 | 1 | 3 |
| 7 | 1467x560 | 1 | 4 |
| 8 | 1246x496 | 1 | 2 |
| 9 | 1246x496 | 1 | 2 |
| 10 | 976x560 | 1 | 4 |
| 11 | 500x560 | 1 | 4 |
| 12 | 476x544 | 3 | 5 |
| 13 | 504x496 | 1 | 5 |
| 14 | 504x496 | 1 | 5 |
| 15 | 504x496 | 1 | 5 |
| 16 | 220x996 | 2 | 3 |
| 17 | 918x150 | 4 | 3 |
| 18 | 1467x80 | 1 | 3 |
| 19 | 80x1467 | 1 | 3 |
| 20 | 400x150 | 4 | 2 |
| 21 | 100x400 | 2 | 2 |
| 22 | 2216x498 | 3 | 1 |
| 23 | 950x400 | 2 | 1 |





GENERAL TECHNICAL INSTRUCTIONS FOR FURNITURE ASSEMBLY

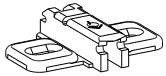
- CHECK COMPATIBILITY OF PARTS AND ACCESSORIES BEFORE ASSEMBLY.
- FOR FURNITURE ASSEMBLY, WE RECOMMEND USING THE SERVICES OF QUALIFIED SPECIALISTS.
- DO ASSEMBLY ON A SURFACE COVERED WITH CLOTH OR CARDBOARD TO PREVENT SCRATCHES.

CARE AND MAINTENANCE OF FURNITURE

- KEEP THE FURNITURE FROM PROLONGED CONTACT WITH WATER OR HOT STEAM.
- ENSURE SUFFICIENT DISTANCE FROM ELECTRICAL APPLIANCES AND HEATERS.
- IF THERE IS DIRTY ON THE FURNITURE, REMOVE IT WITH A DAMP CLOTH AND THEN WIPE IT DRY. DO NOT USE ABRASIVE MATERIALS.

1

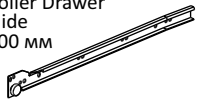
Mounting Plate



x16

P6

Roller Drawer Slide
400 mm



x4

NR 1

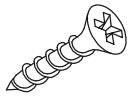
Minifix



x12

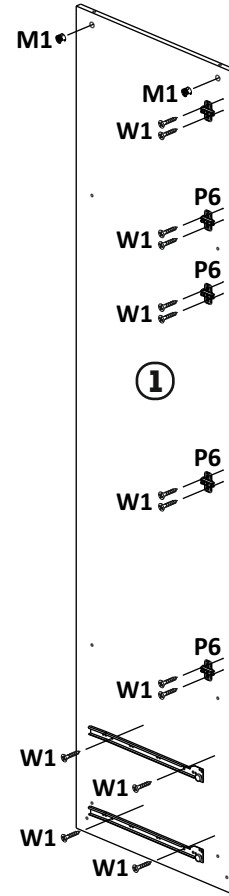
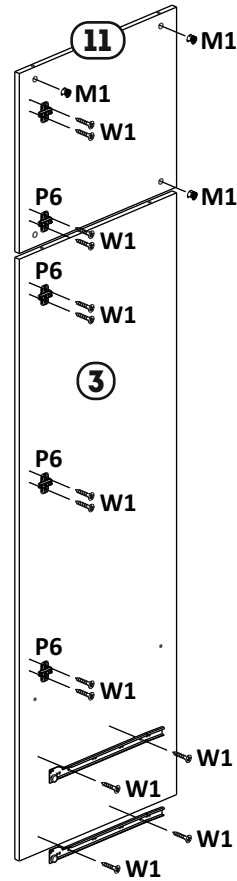
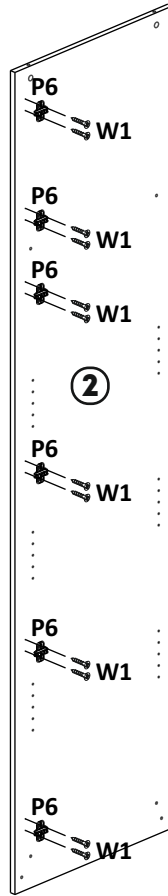
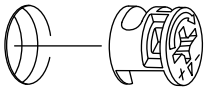
M1

Screw
3,5x16



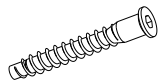
x12

W1



2

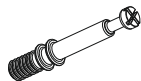
Confirmat



x4

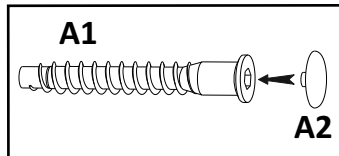
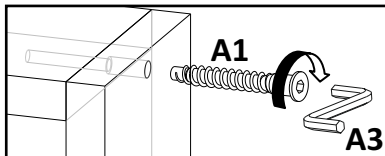
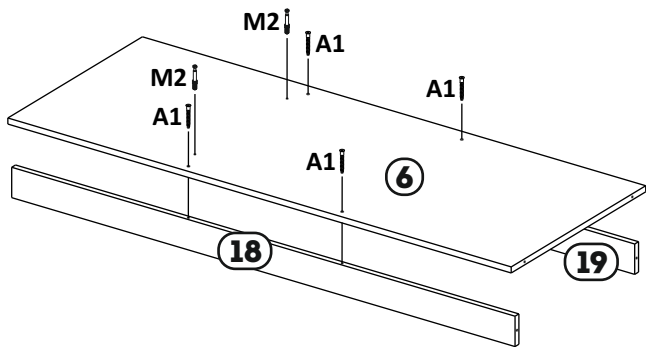
A1

Minifix Screw

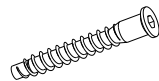


x2

M2

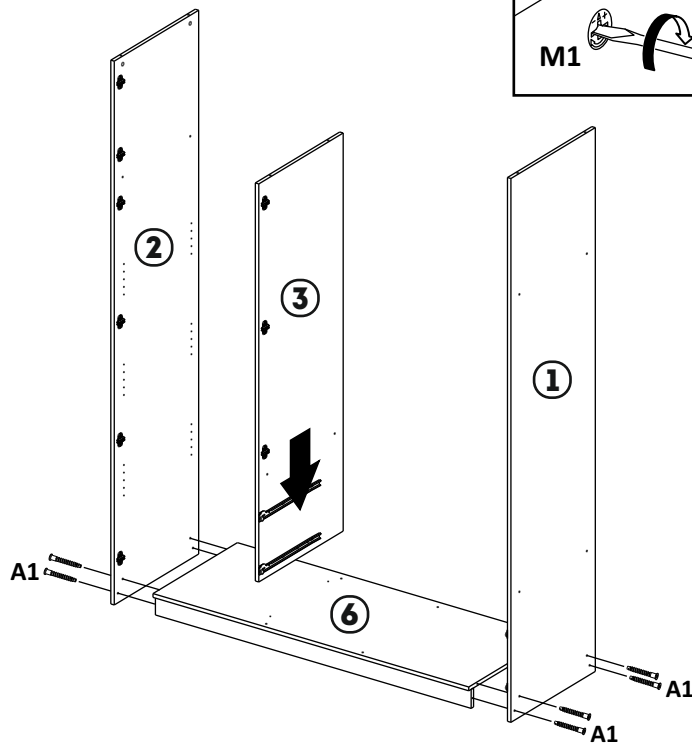
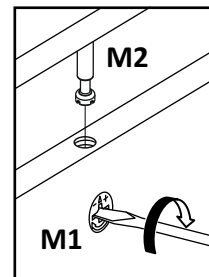
**3**

Confirmat



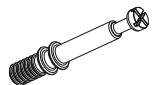
x8

A1



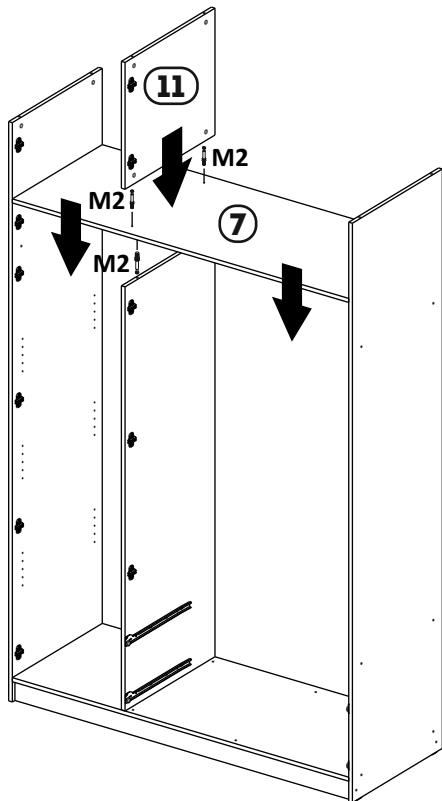
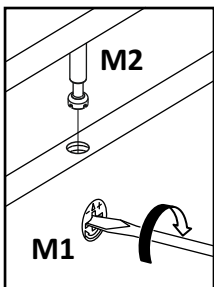
4

Minifix Screw



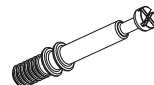
x4

M2



5

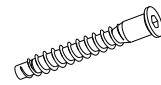
Minifix Screw



x6

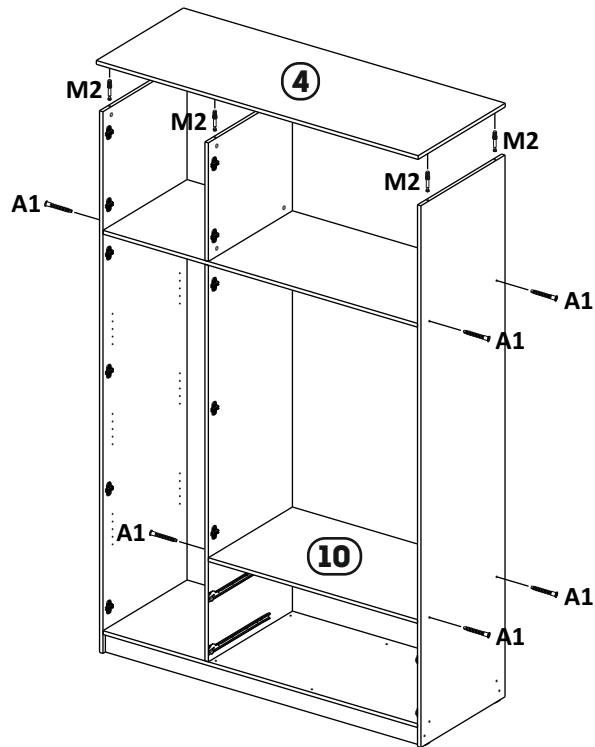
M2

Confirmat



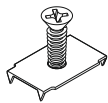
x8

A1



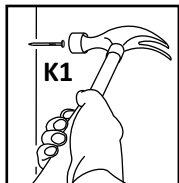
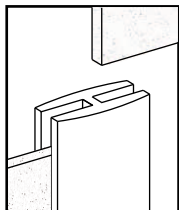
6

Rear Panel Fixing Screw

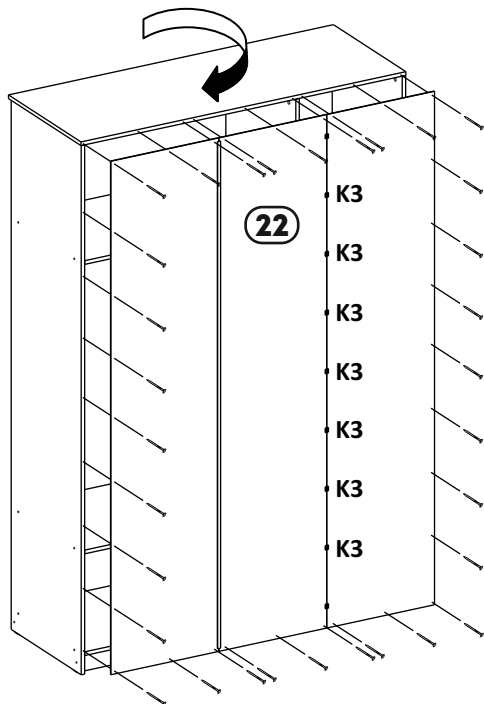


x9

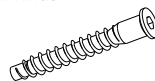
K3



K1

**7**

Confirmat



x8

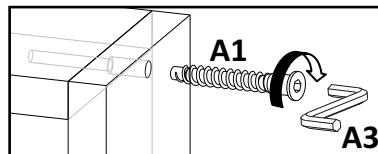
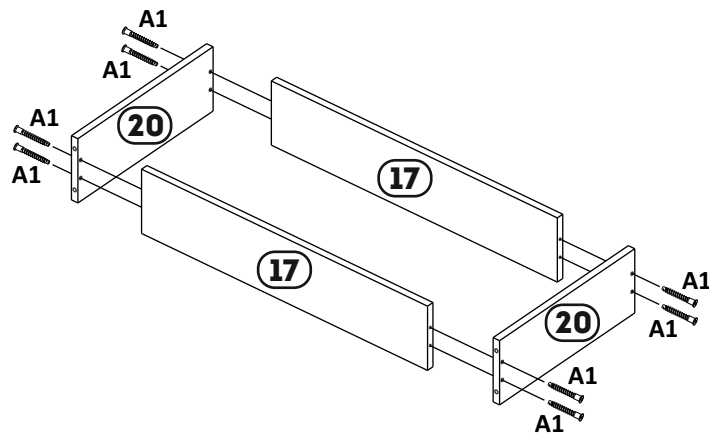
A1

Cap for confirmate



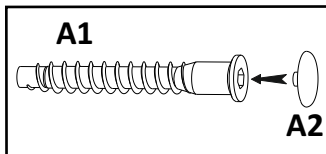
x8

A2



A1

A3

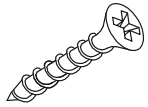


A1

A2

8

Screw
4x30



x4

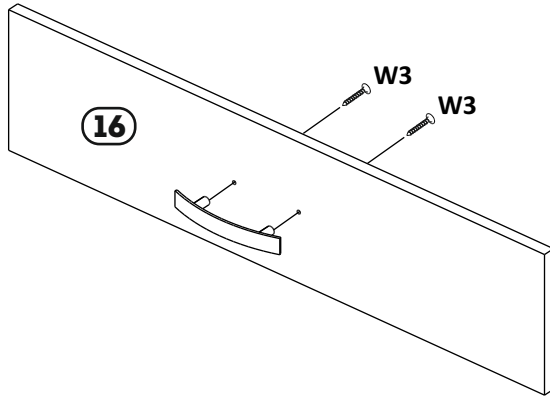
W3

Plastic Handle
96 mm



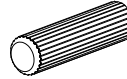
x2

RP 1



9

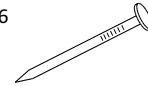
Dowel



x4

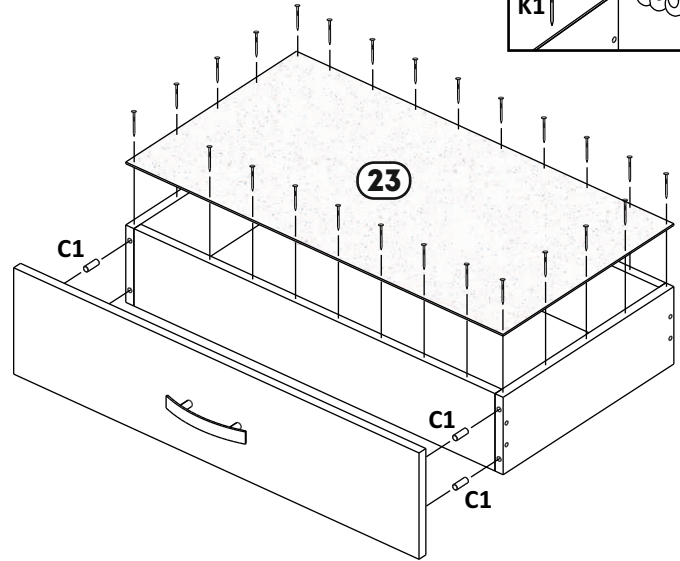
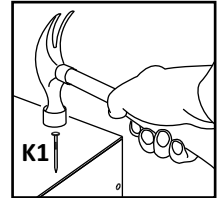
C1

Nail
1x16



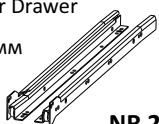
x26

K1



10

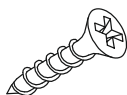
Roller Drawer
Slide
400 mm



x1

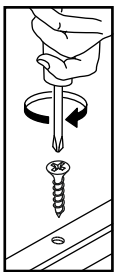
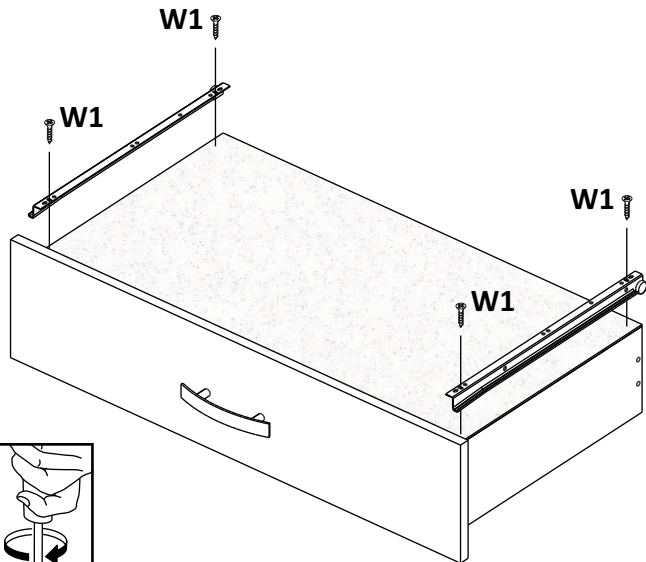
NR 2

Screw
3,5x16



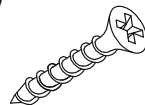
x4

W1



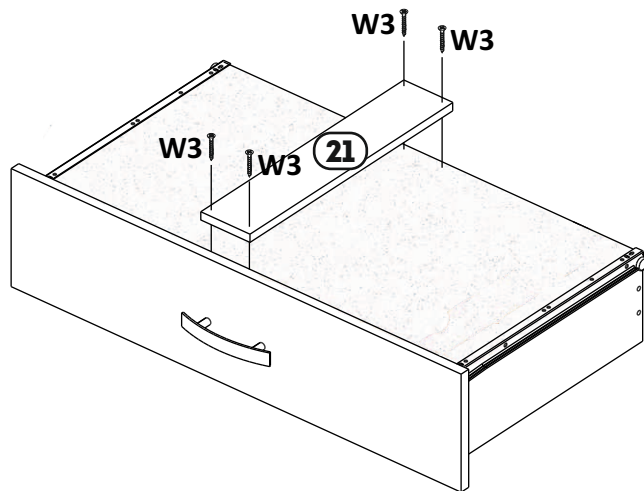
11

Screw
4x30



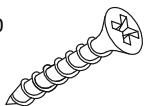
x4

W3



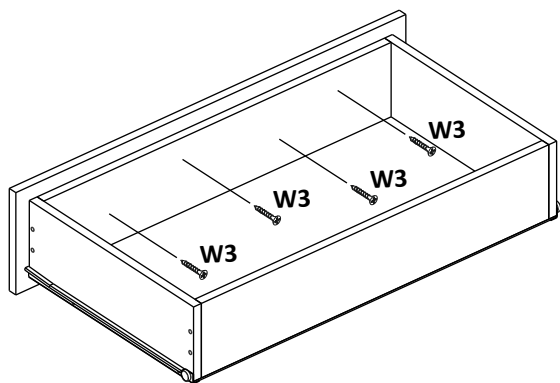
12

Screw
3,5x30



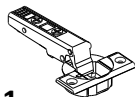
x4

W3



13

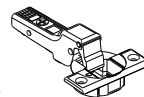
Full Overlay Hinge



x11

P5

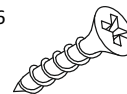
Half Overlay Hinge



x5

P7

Screw
3,5x16



x12

W1

