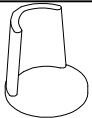

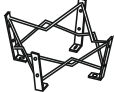


INSTALLATION INSTRUCTION



266-000006



PART LIST

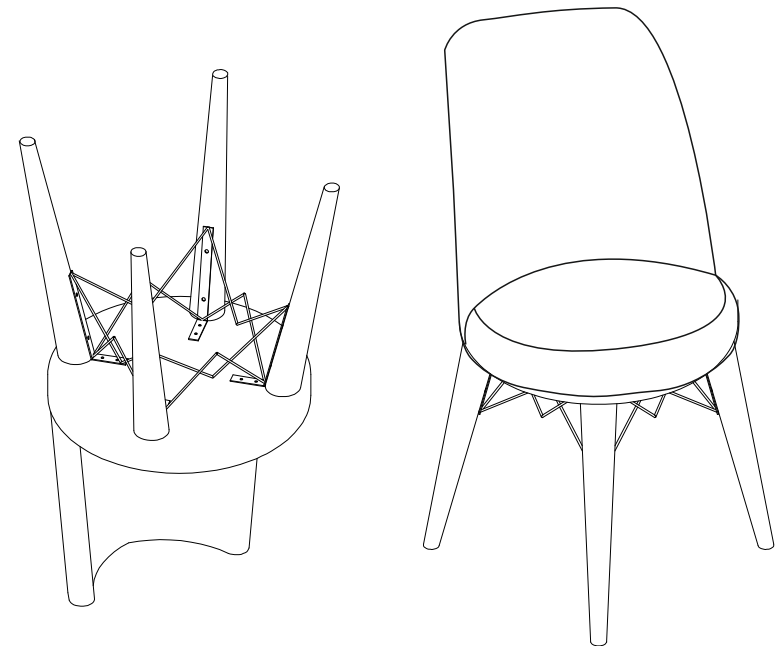
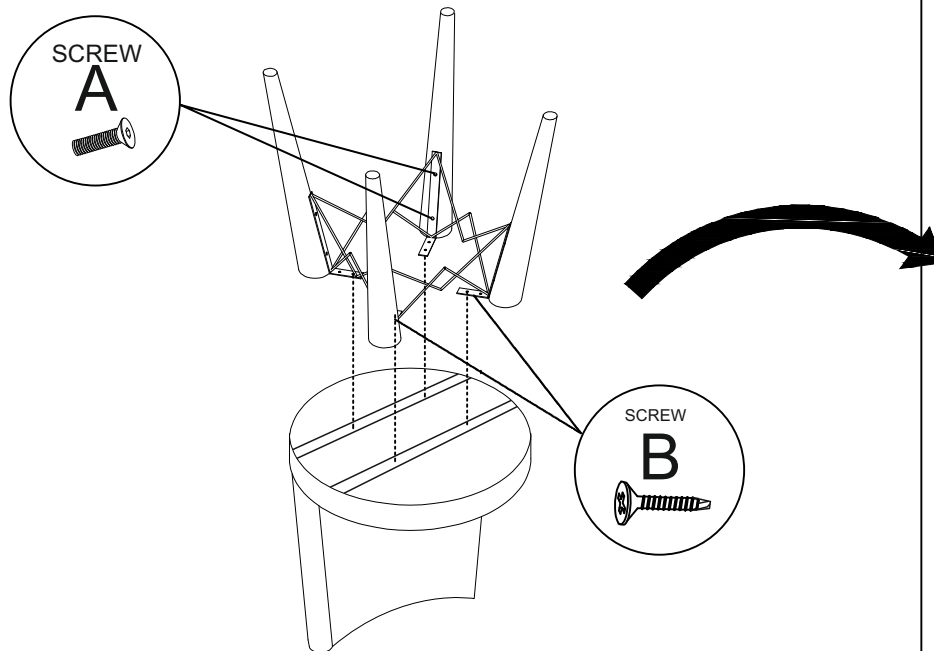
NO.	DESCRIPTION	PART	QTY
Ⓐ	CHAIR TOP		⓫
Ⓑ	LEG		⓫
Ⓒ	SUPPORT PART		⓫

MATERIALS LIST

NO.	METARIALS	QTY	
Ⓐ		⓫	
Ⓑ		⓫	



First screw the legs to the support part.



Secondly screw the legs to the chair as shown.

Please Be Careful When You Using Screwdriver!