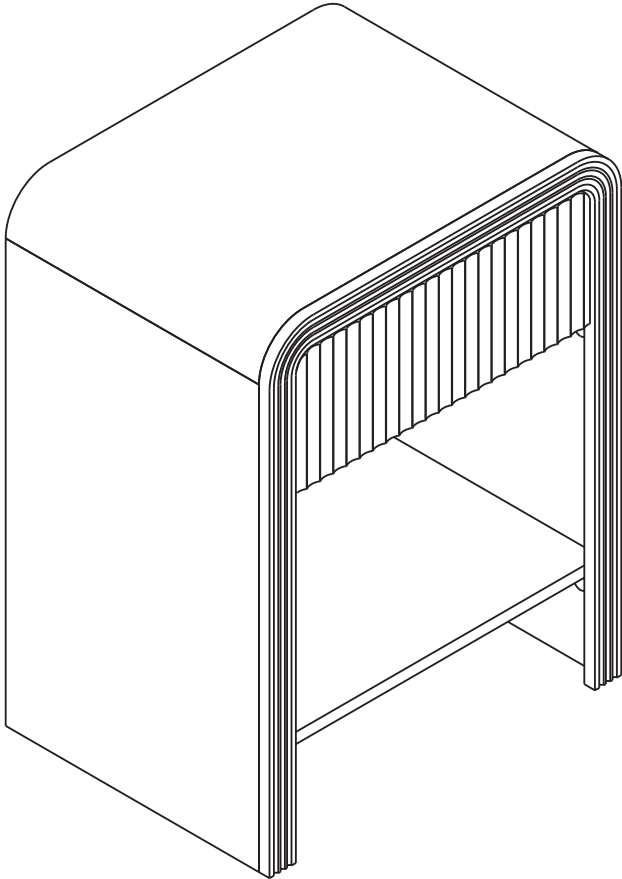


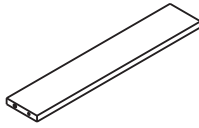
260-000026



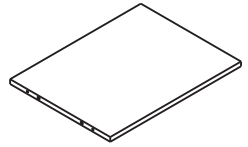
1  
x 1



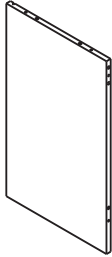
2  
x 1



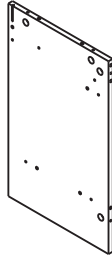
3  
x 1



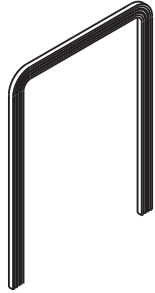
4  
x 1



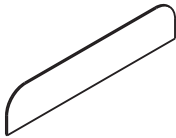
5  
x 1



6  
x 1



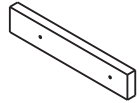
7  
x 1



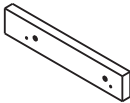
8  
x 1



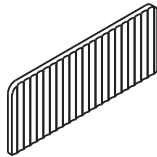
9  
x 1



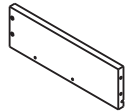
10  
x 1



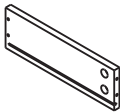
11  
x 1



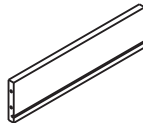
12  
x 1



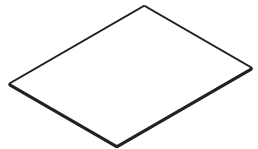
13  
x 1



14  
x 1



15  
x 1



A



× 22

B



× 22

C



× 20

D



× 4  
4x30mm

E



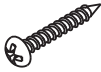
× 2

F



× 8  
3x10mm

G



× 4  
4x25mm

H



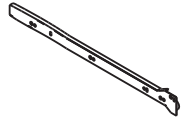
× 8

I



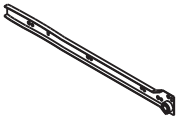
× 2  
3x14mm

CL



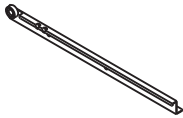
× 1

CR



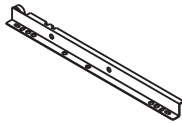
× 1

DL



× 1

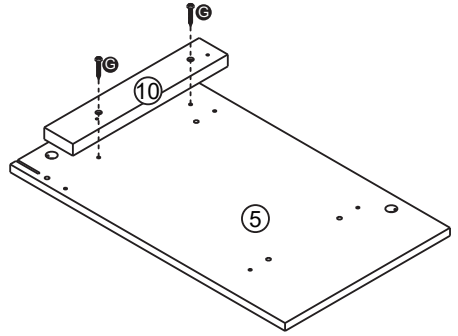
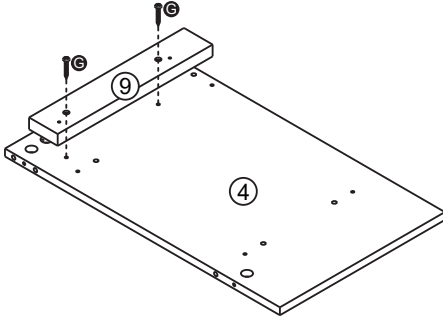
DR



× 1

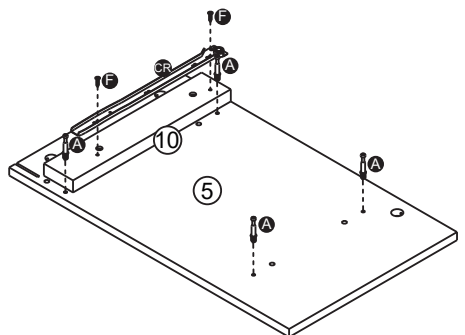
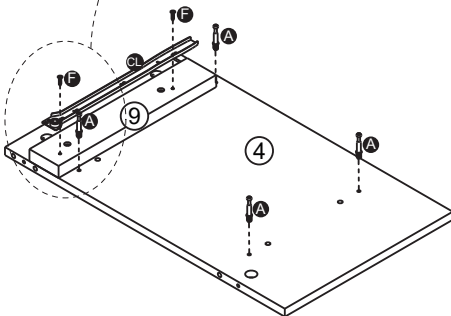
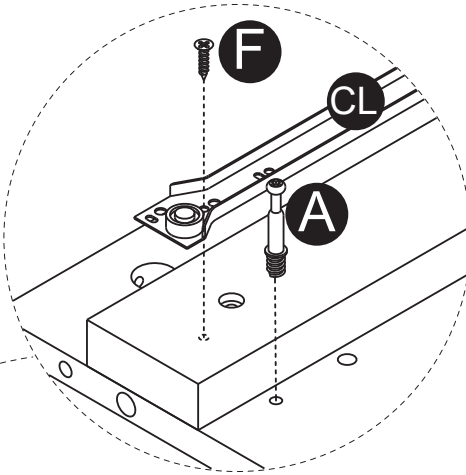
# 1

G x4



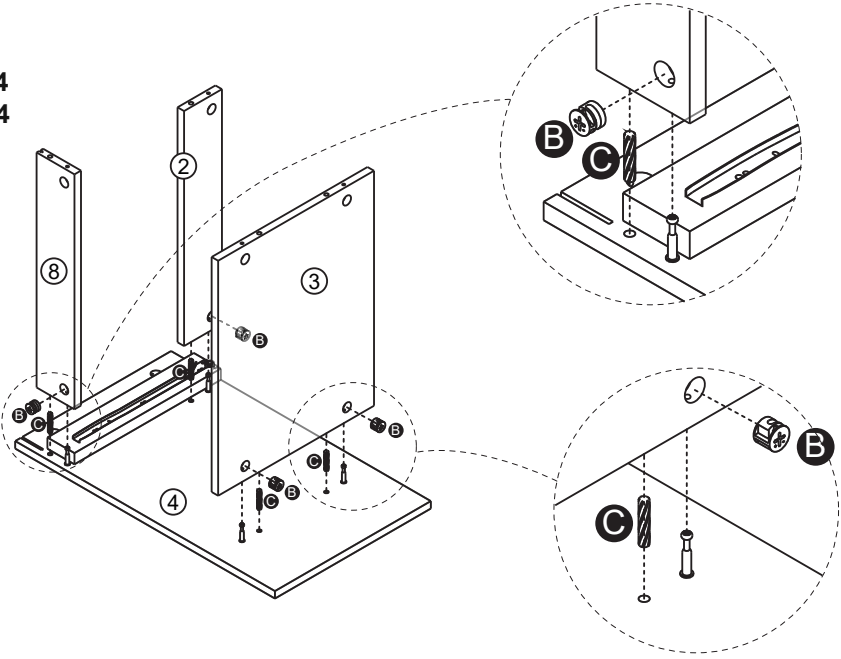
# 2

A x8  
F x4  
CL x1  
CR x1



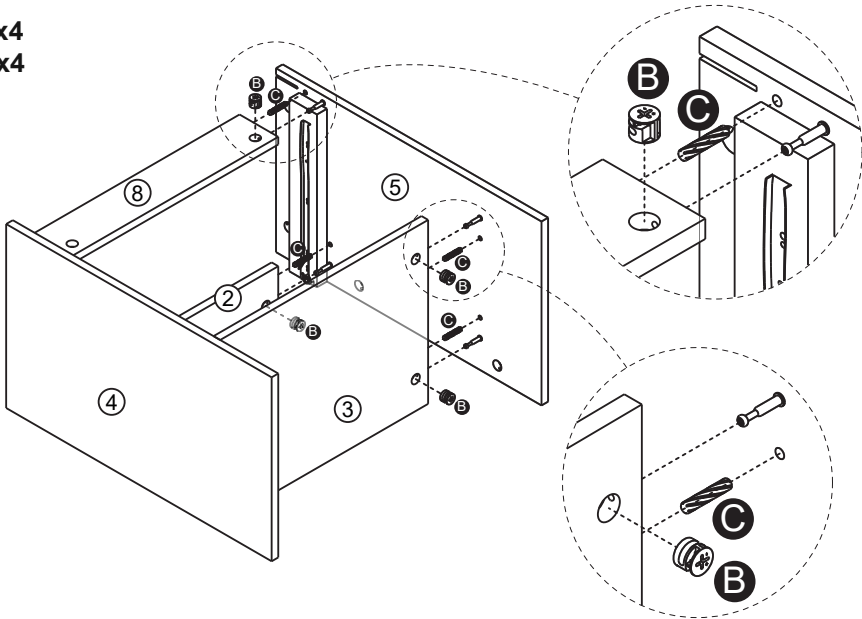
# 3

B x4  
C x4

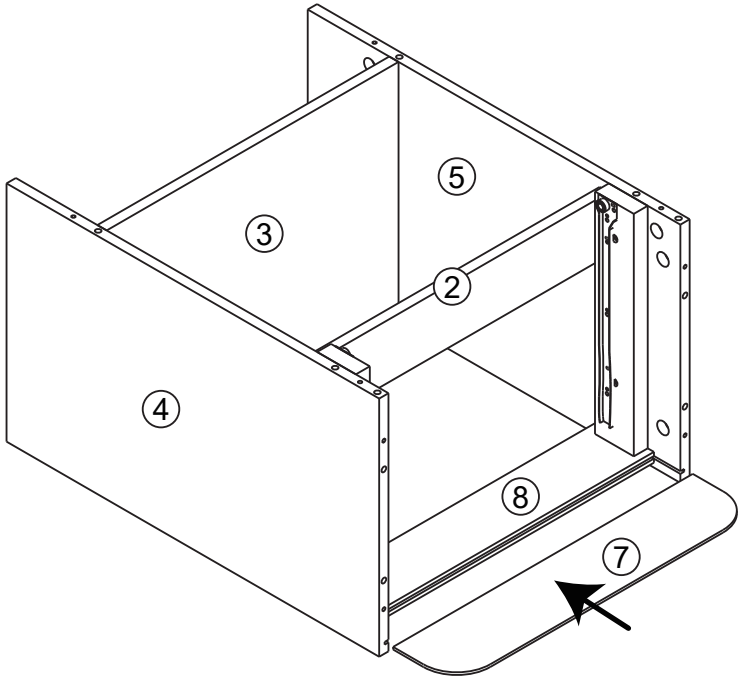


# 4

B x4  
C x4

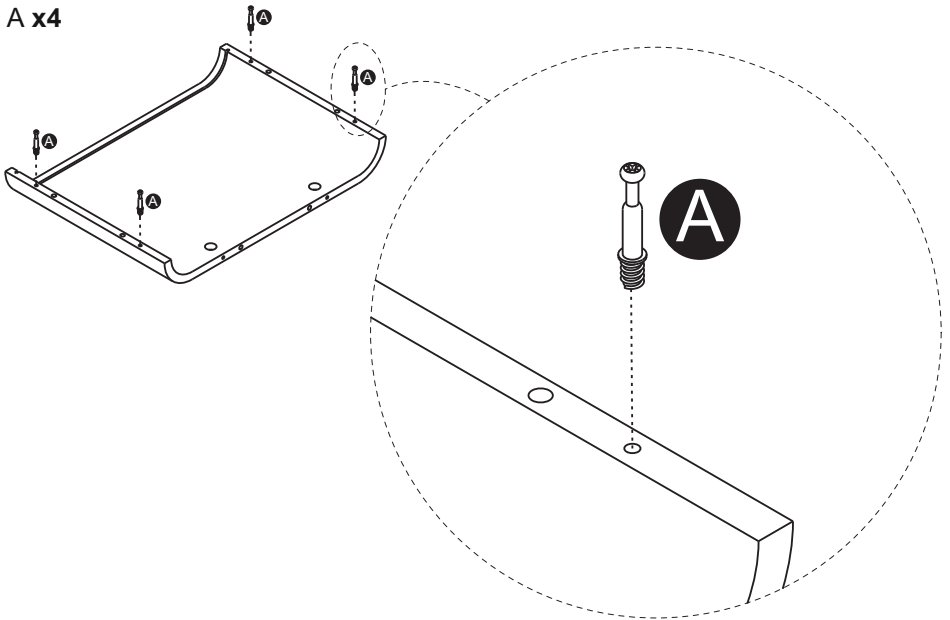


5



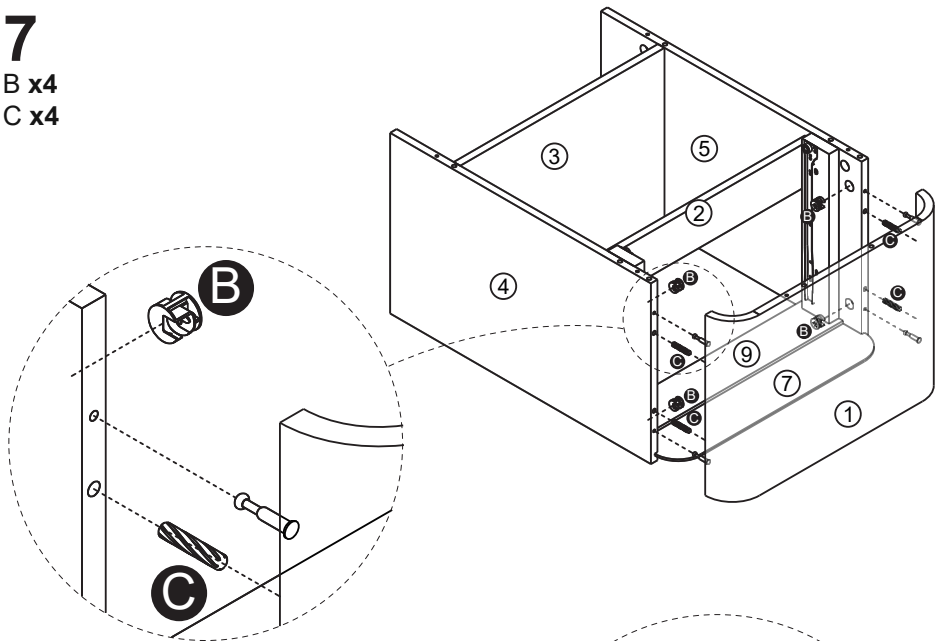
6

A x4



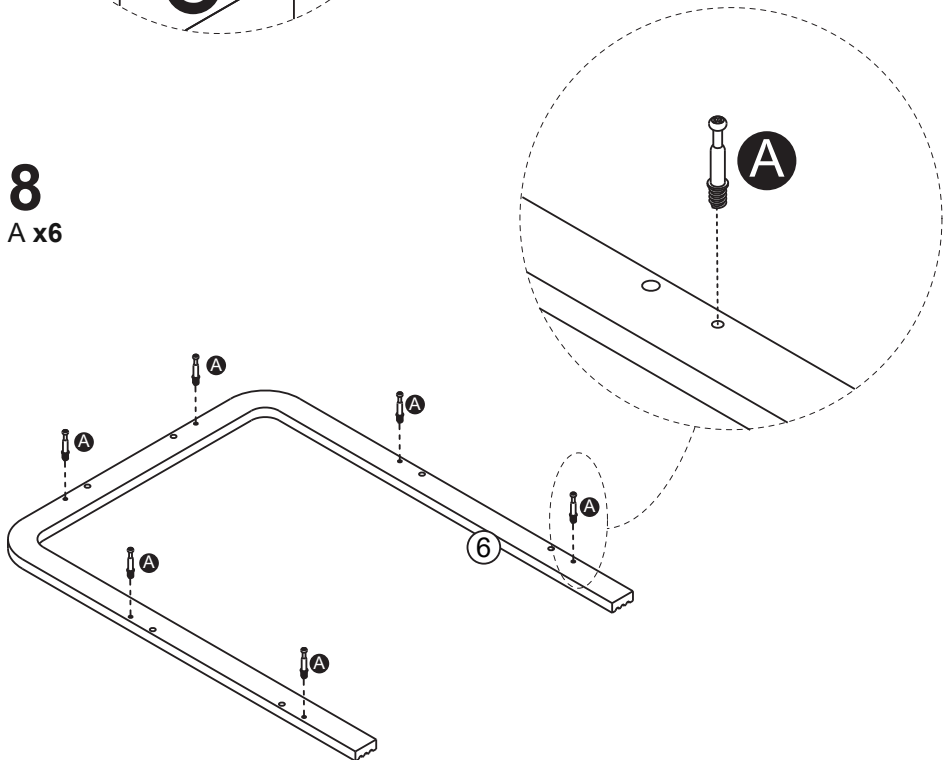
# 7

B x4  
C x4



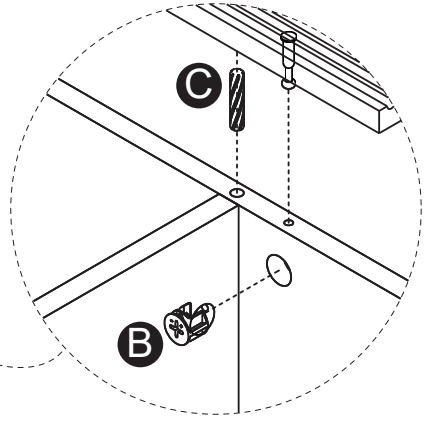
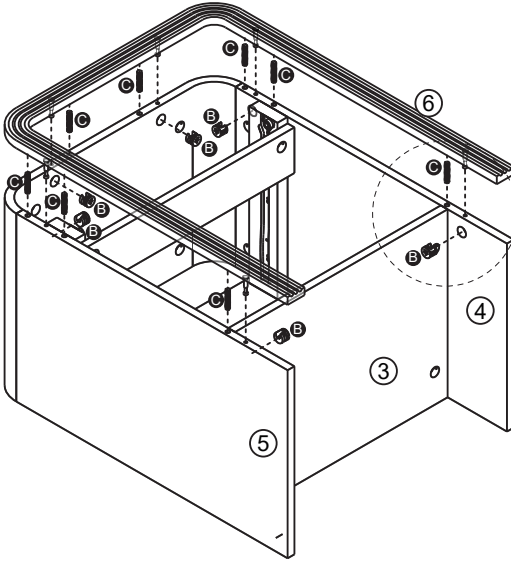
# 8

A x6



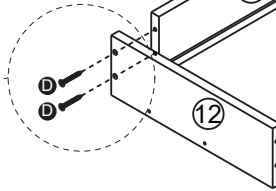
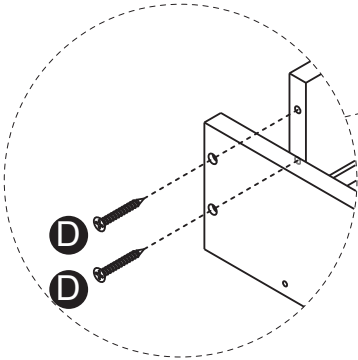
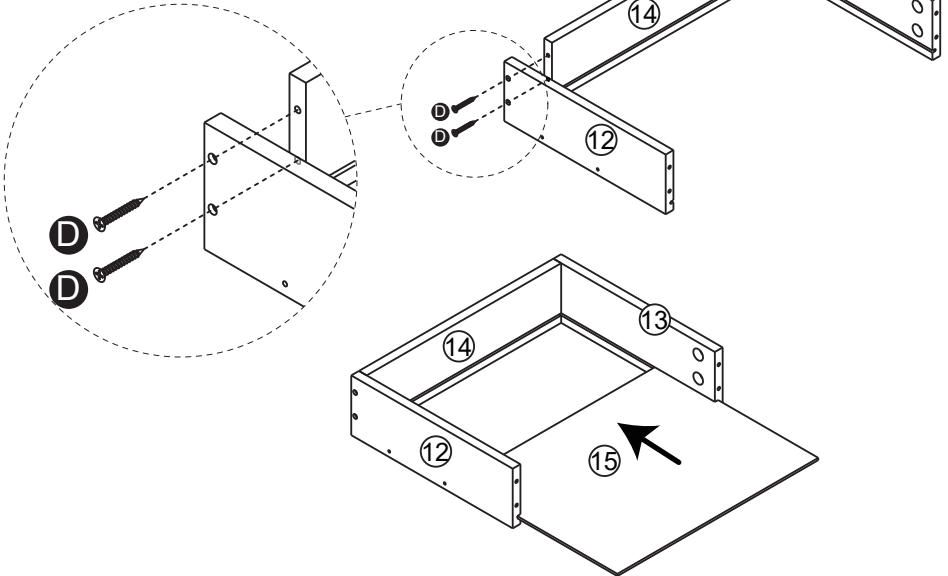
# 9

B x6  
C x8



# 10

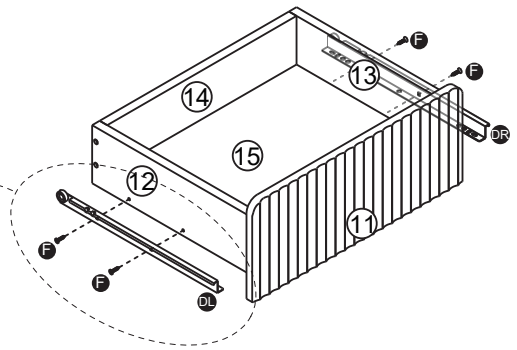
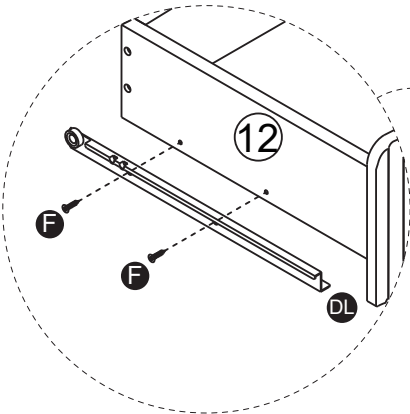
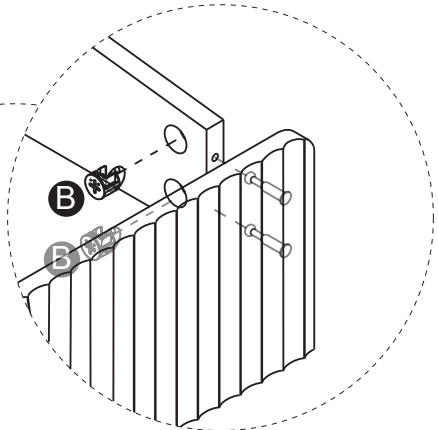
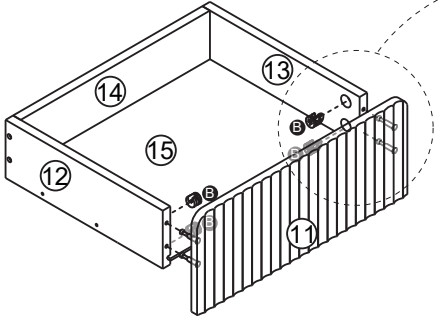
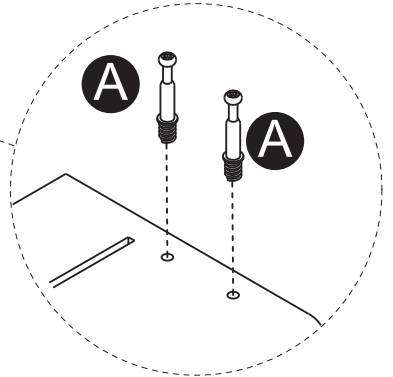
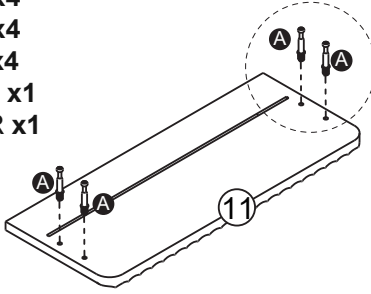
D x4



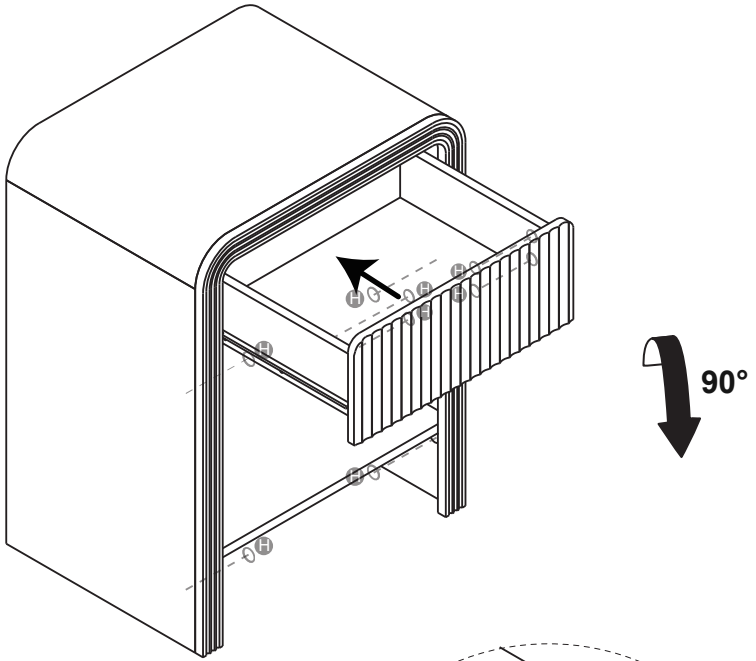


# 11

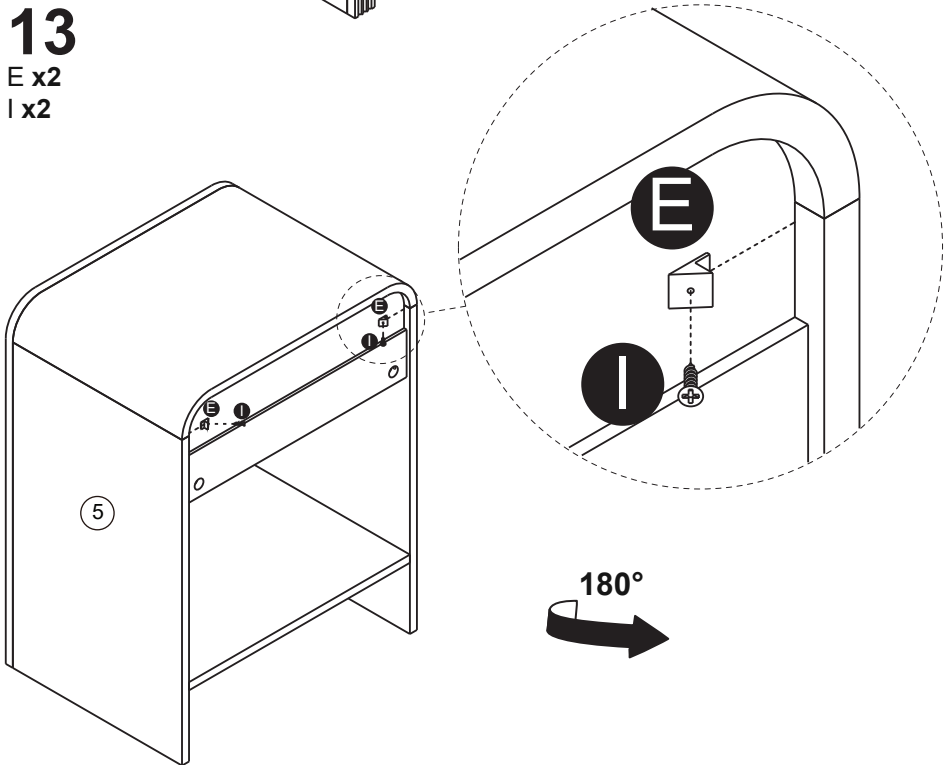
- A x4
- B x4
- F x4
- DL x1
- DR x1



**12**  
H x8



**13**  
E x2  
I x2



14

