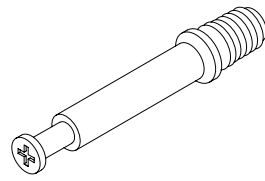
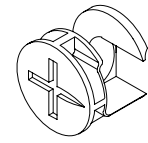


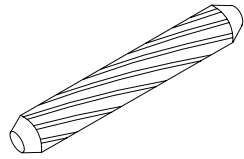
32 x A



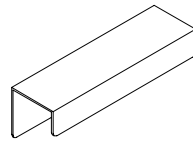
36 x B



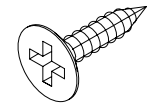
36 x C



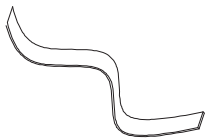
18 x D



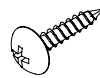
4 x E



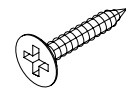
40 x F



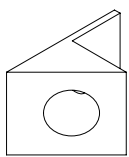
2 x G



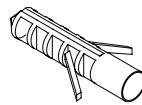
18 x H



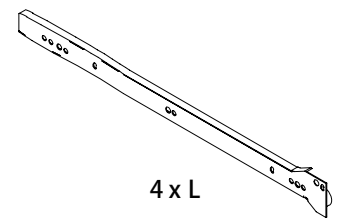
8 x I



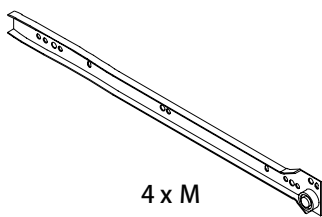
8 x J



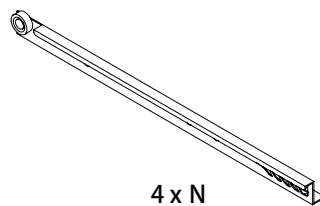
2 x K



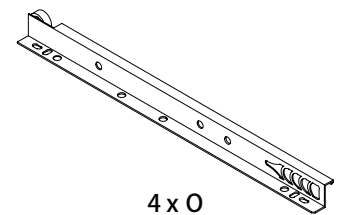
4 x L



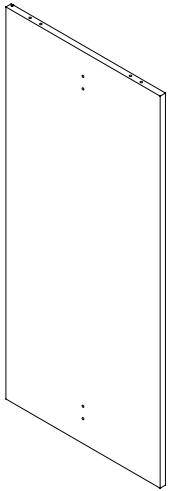
4 x M



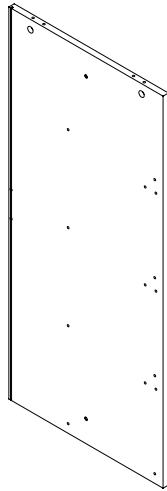
4 x N



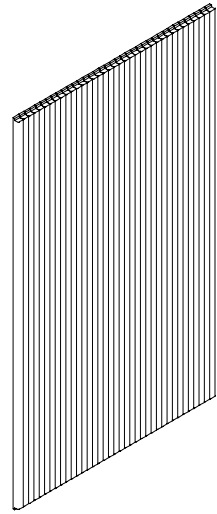
4 x O



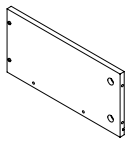
1
1 PC



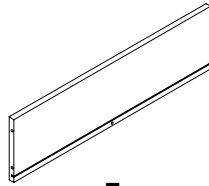
2
1 PC



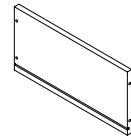
3
2 PCS



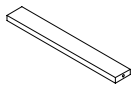
4
4 PCS



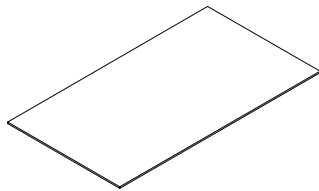
5
4 PCS



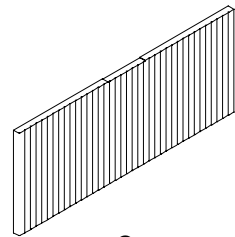
6
4 PCS



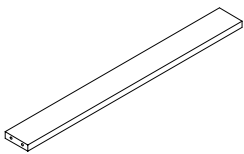
7
4 PCS



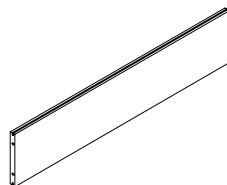
8
4 PCS



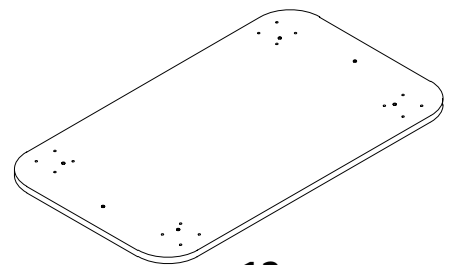
9
4 PCS



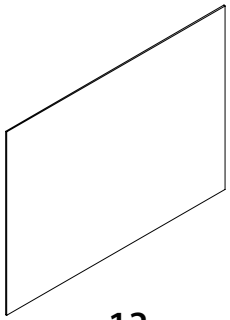
10
3 PCS



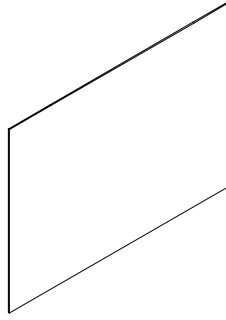
11
1 PC



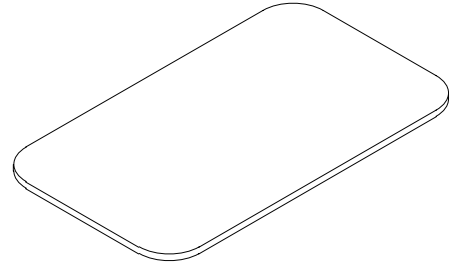
12
1 PC



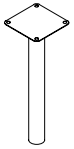
13
1 PC



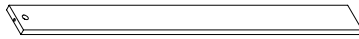
14
1 PC



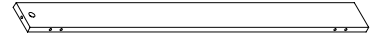
15
1 PC



16
4 PCS

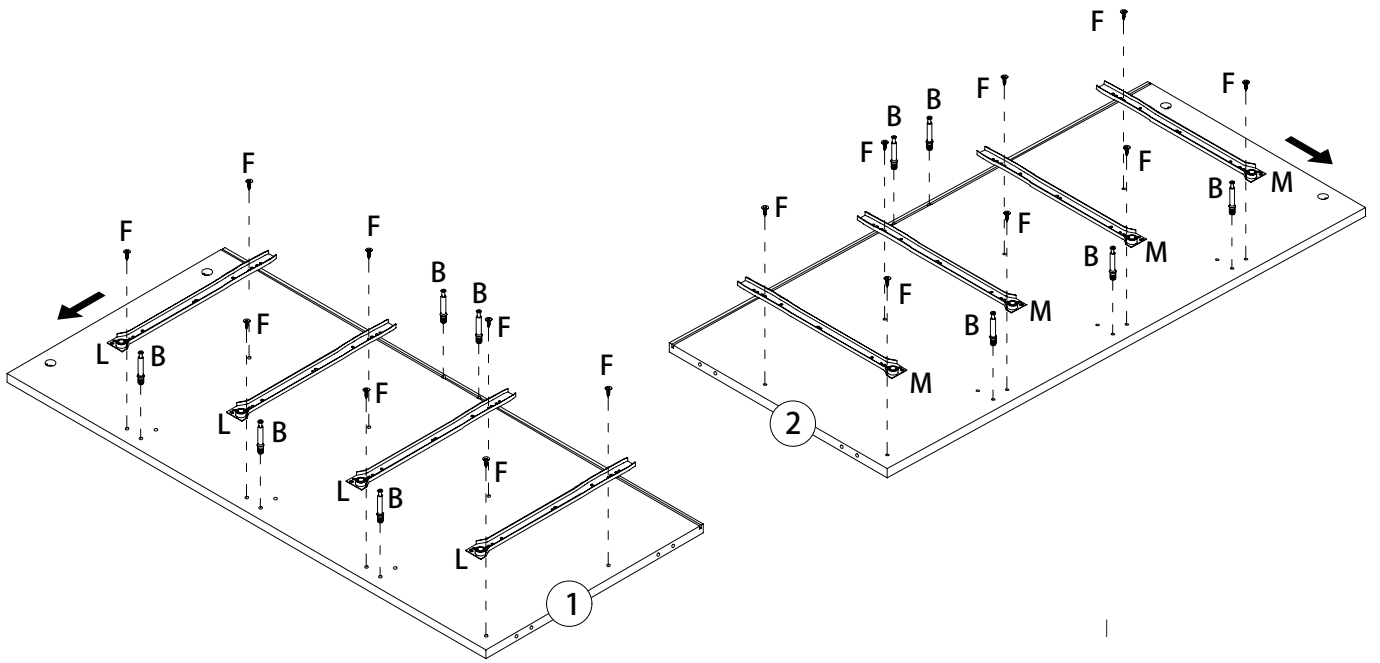


17
1 PC

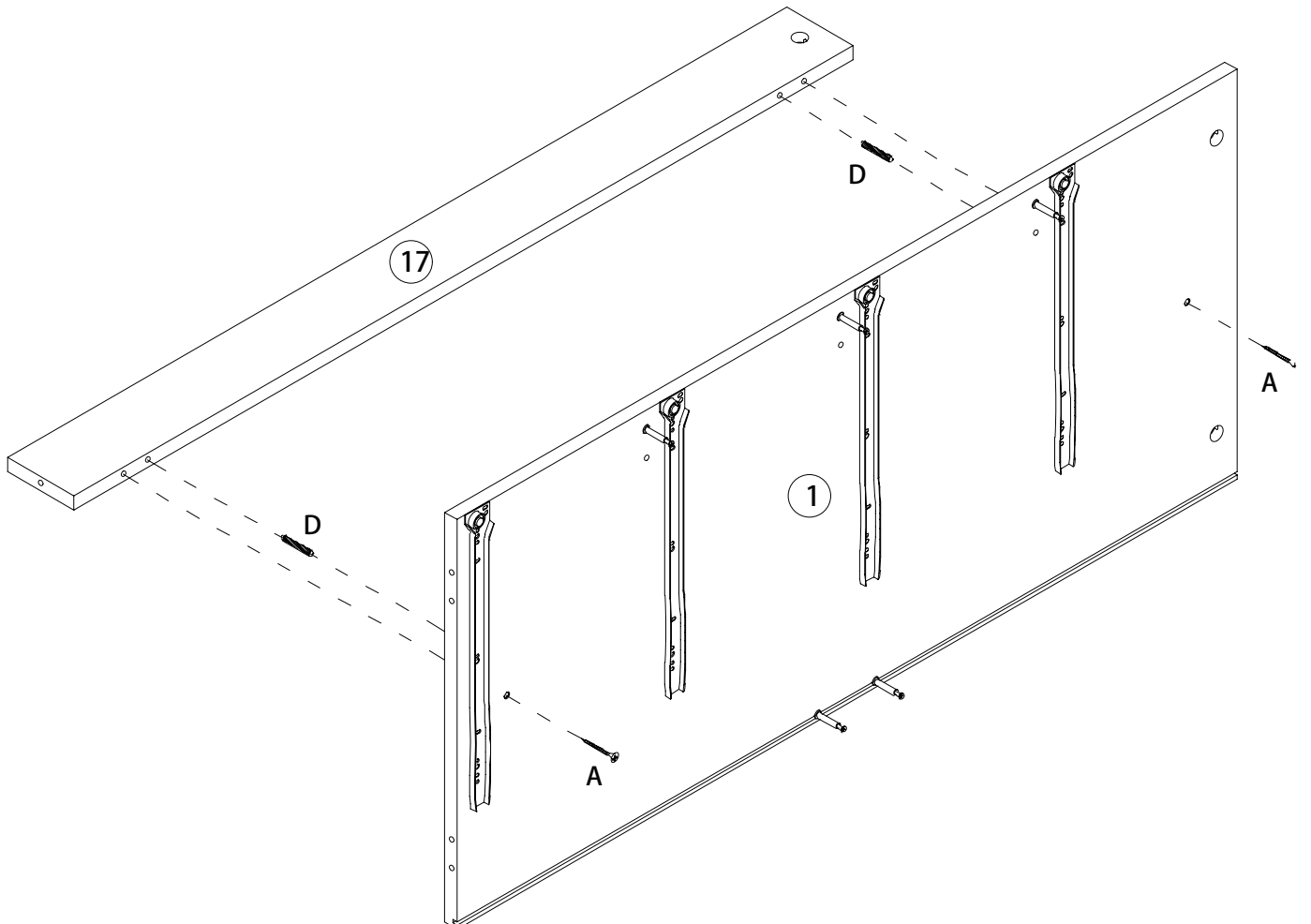


18
1 PC

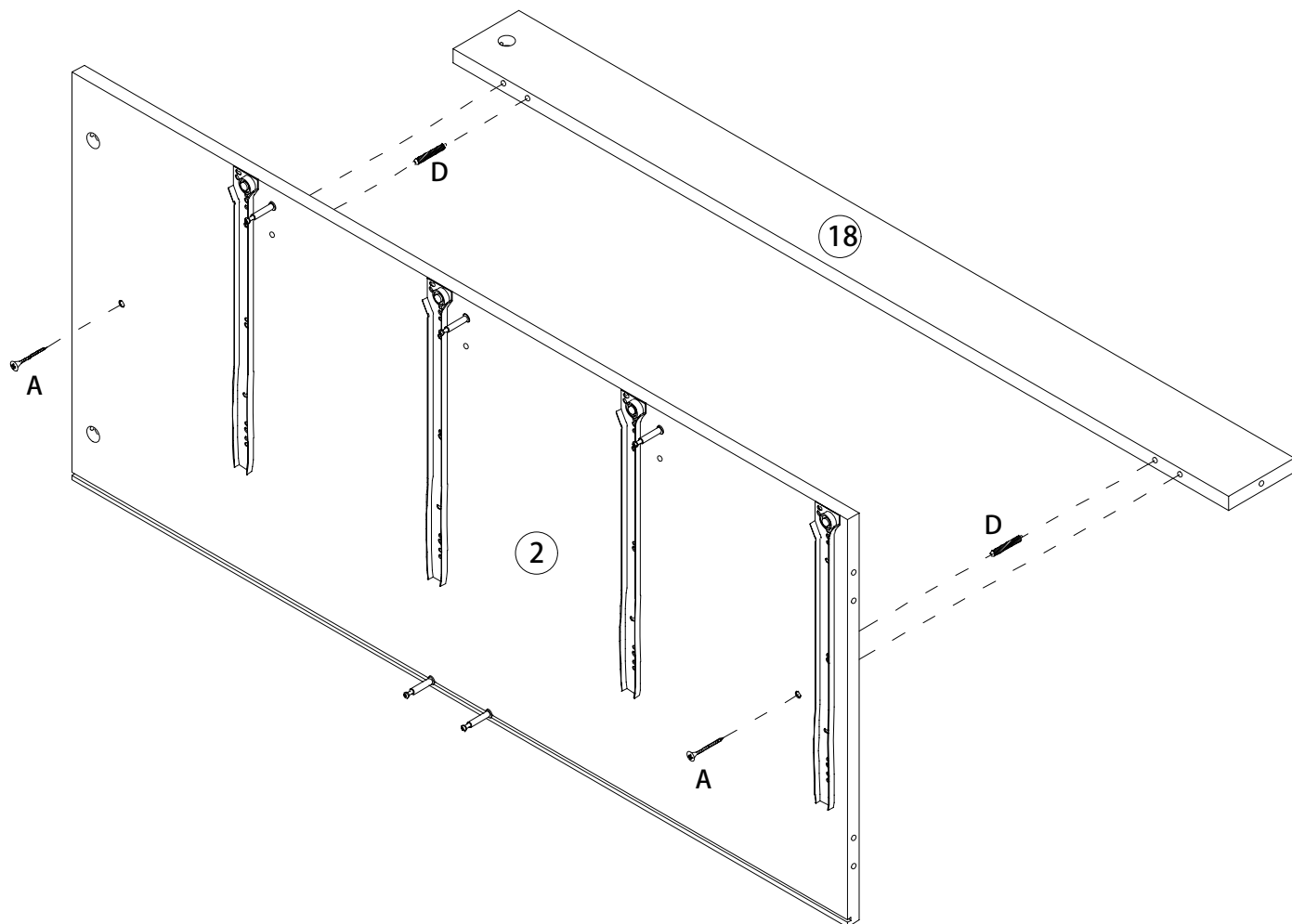
1



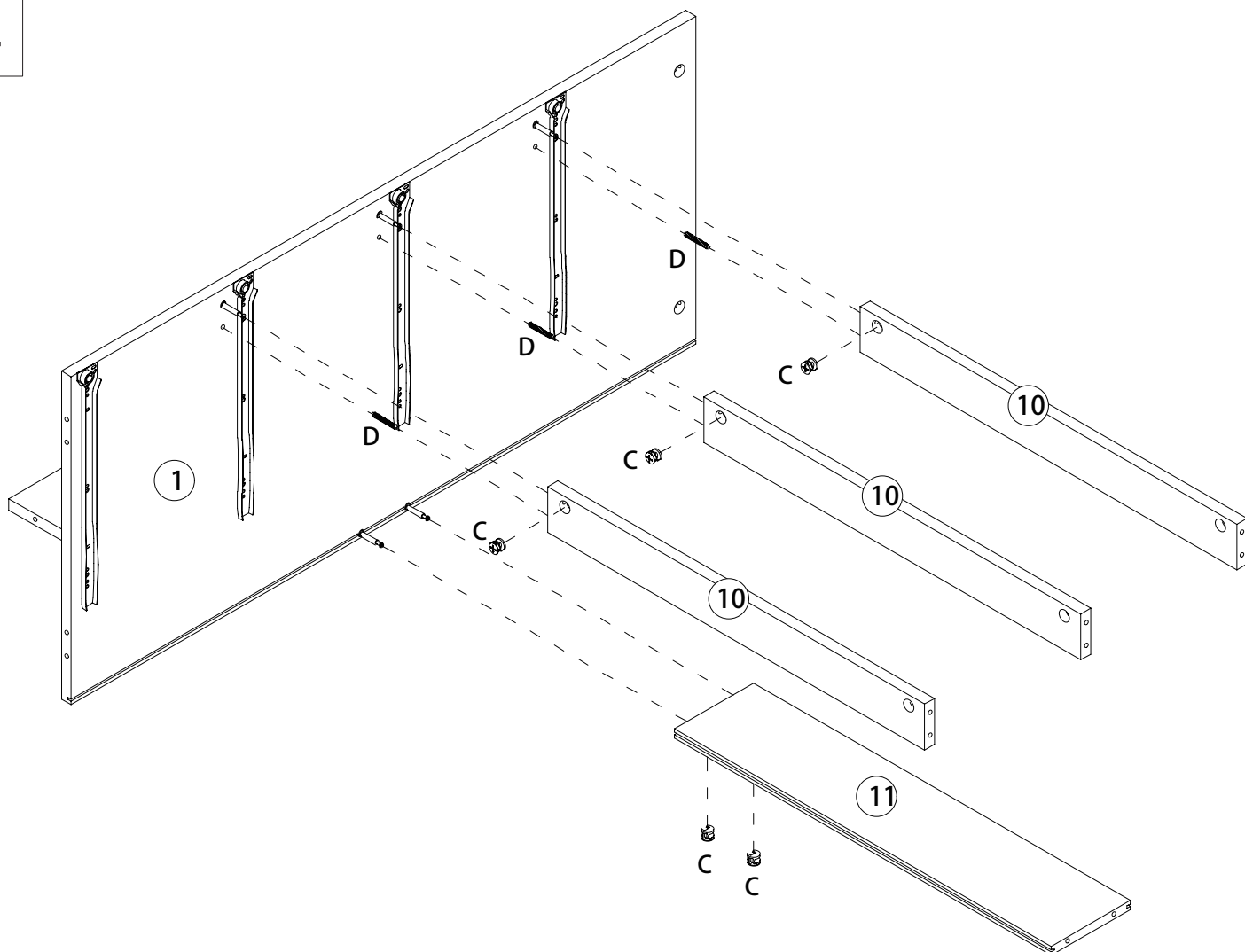
2



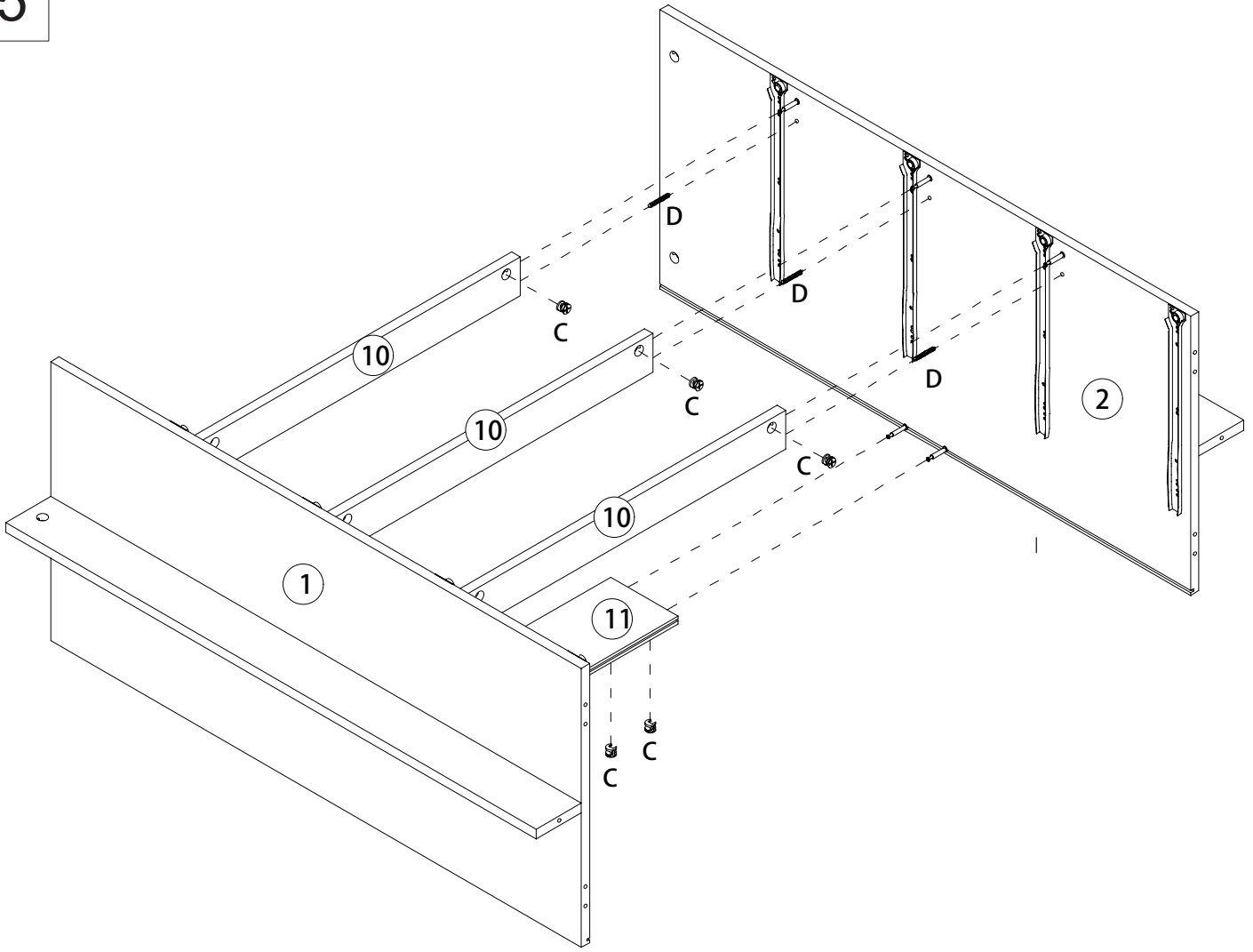
3



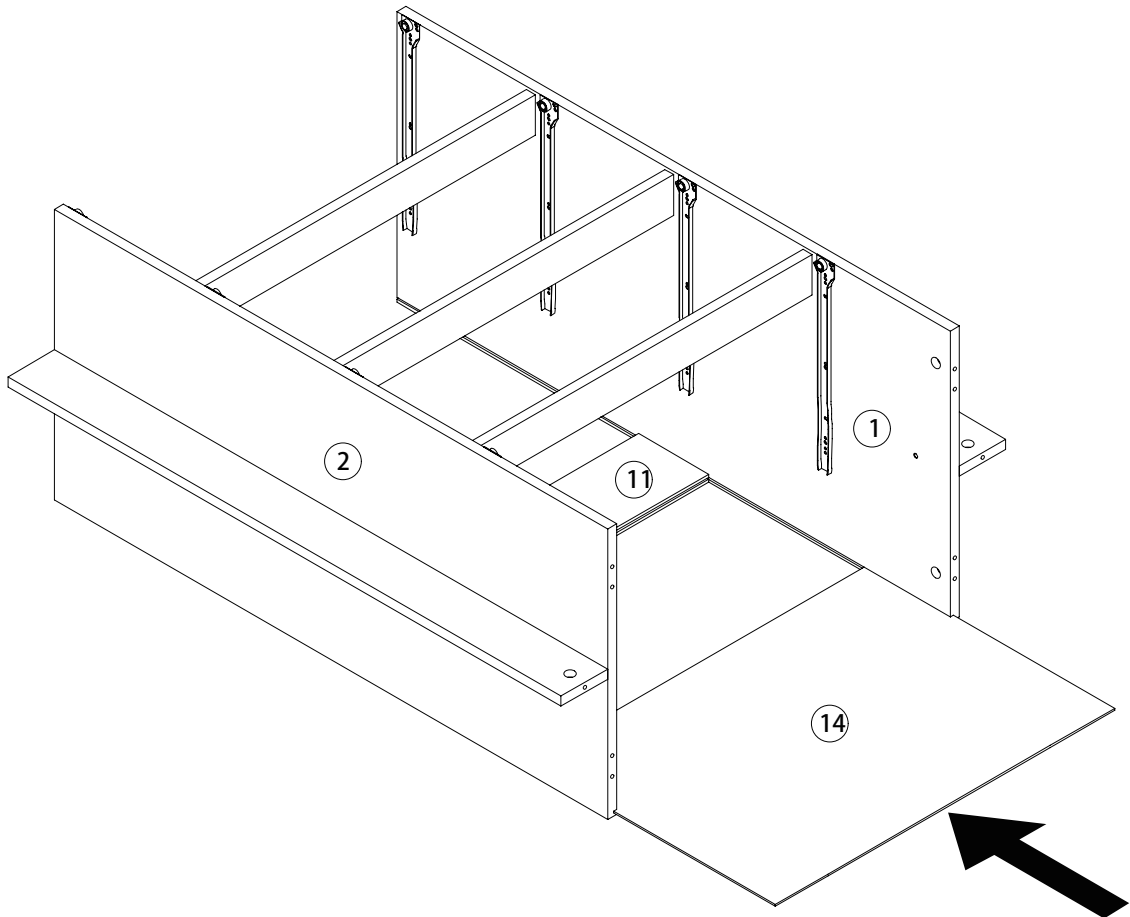
4



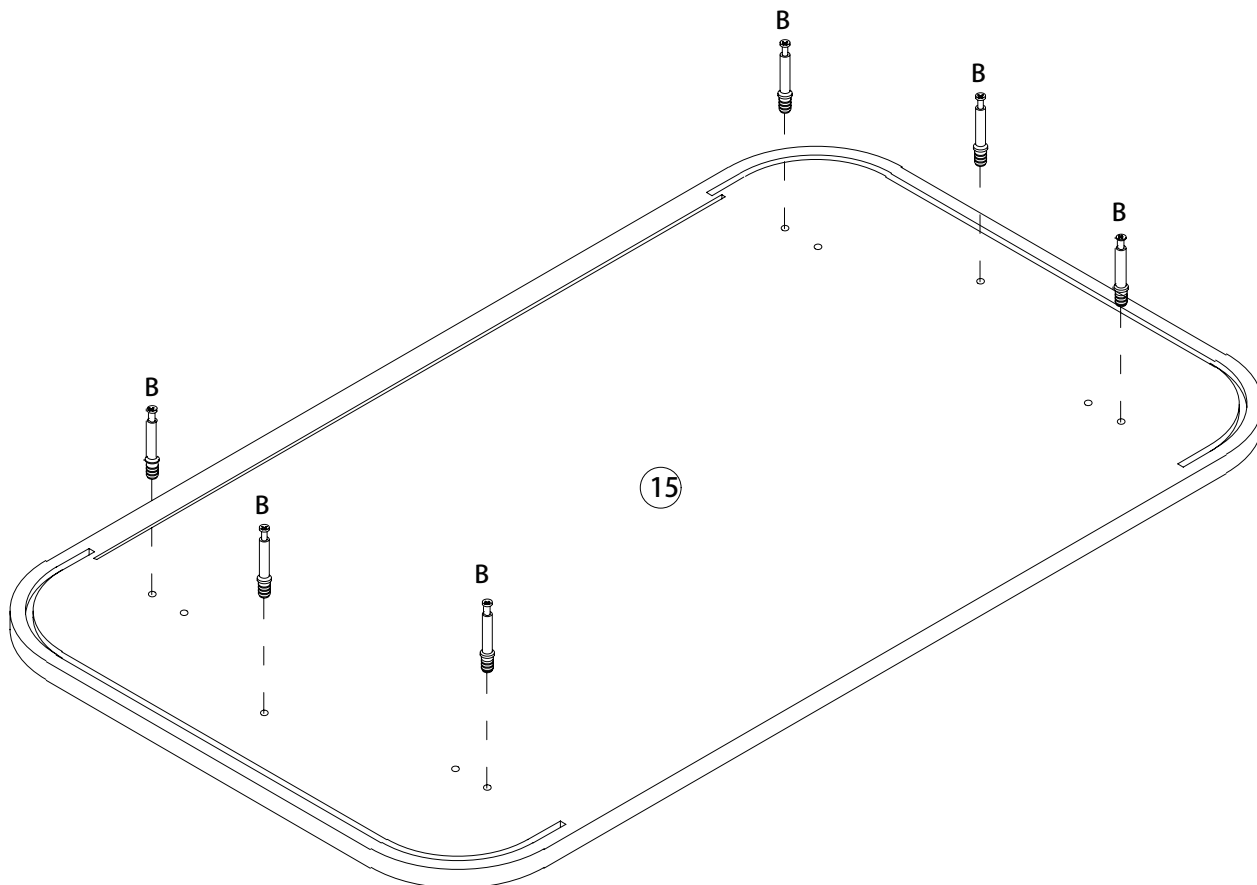
5



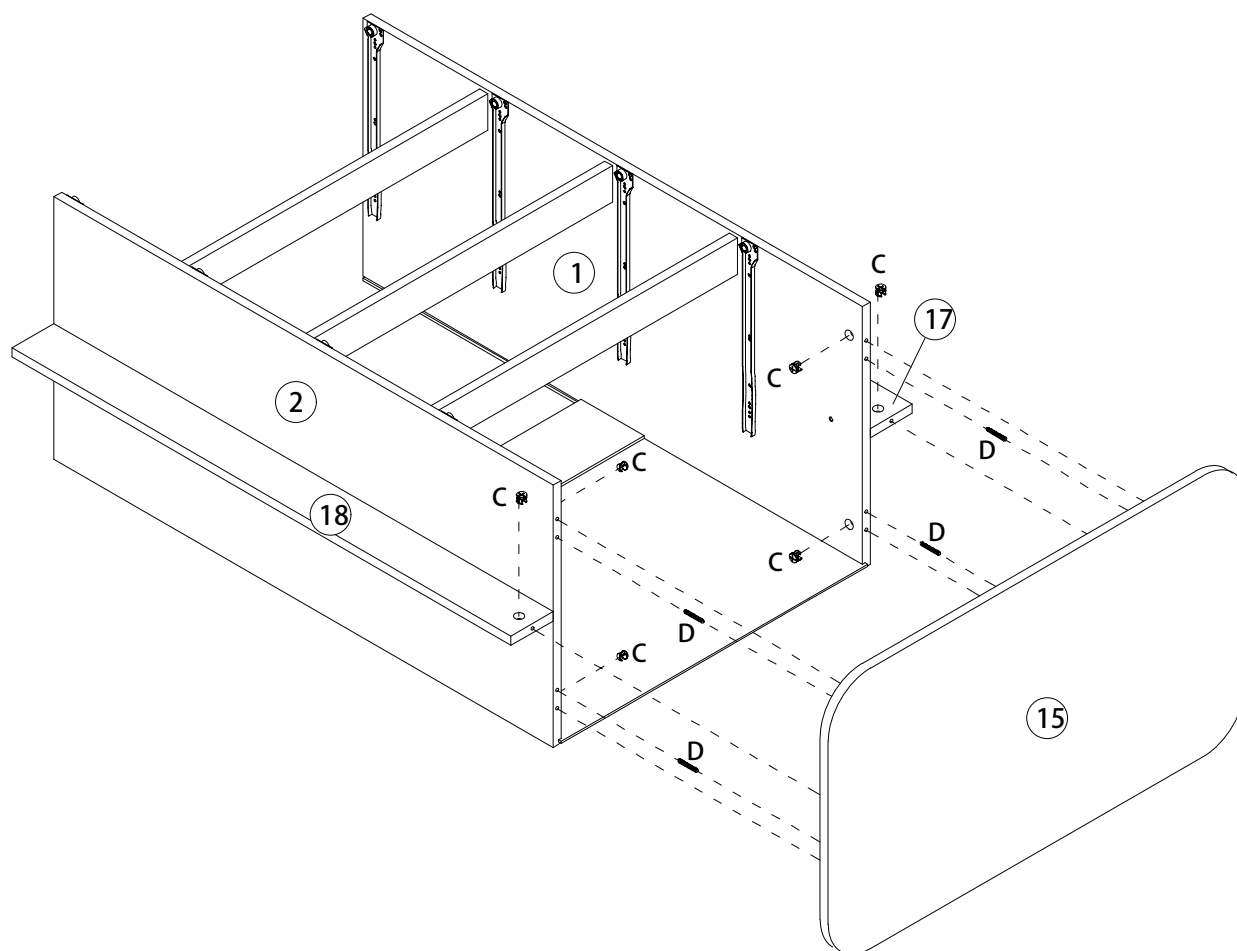
6



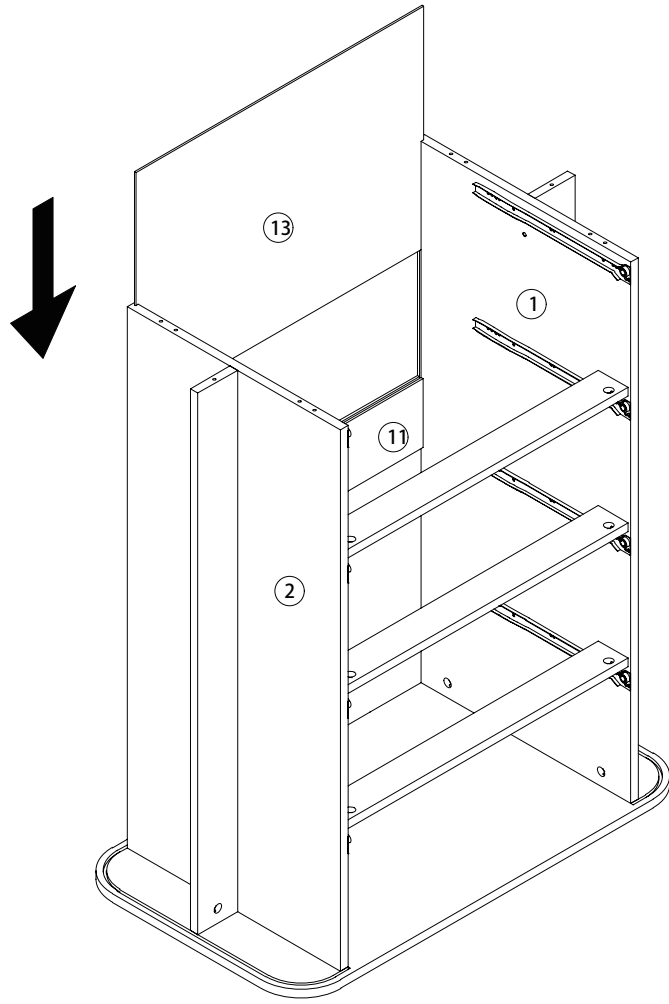
7



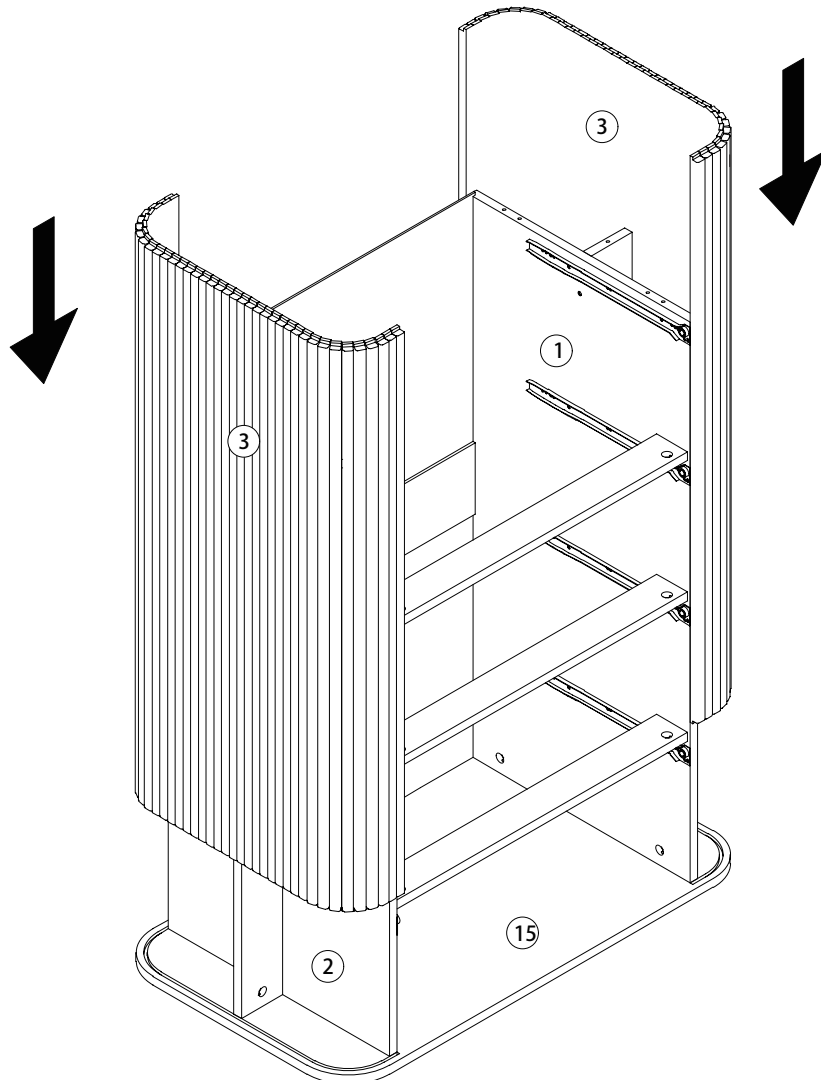
8



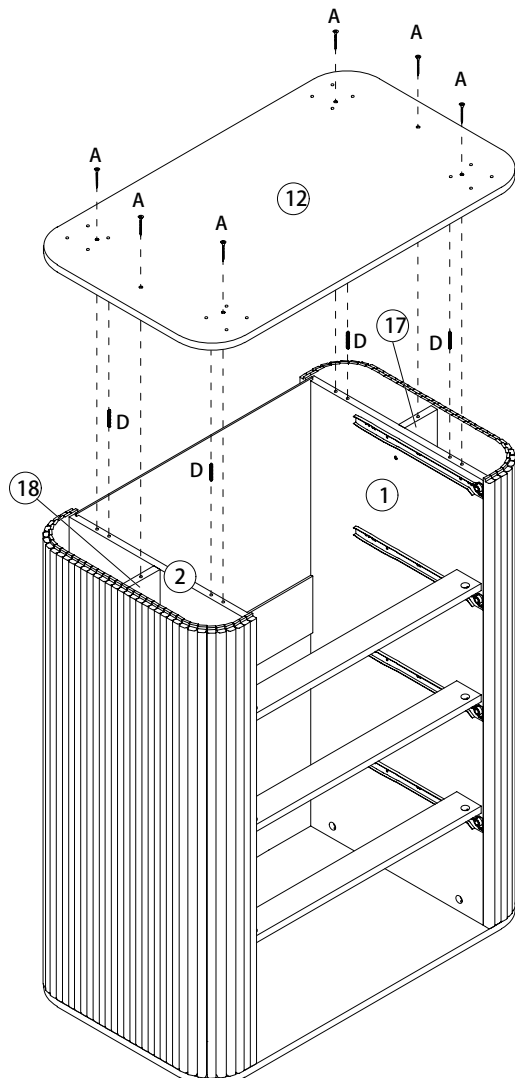
9



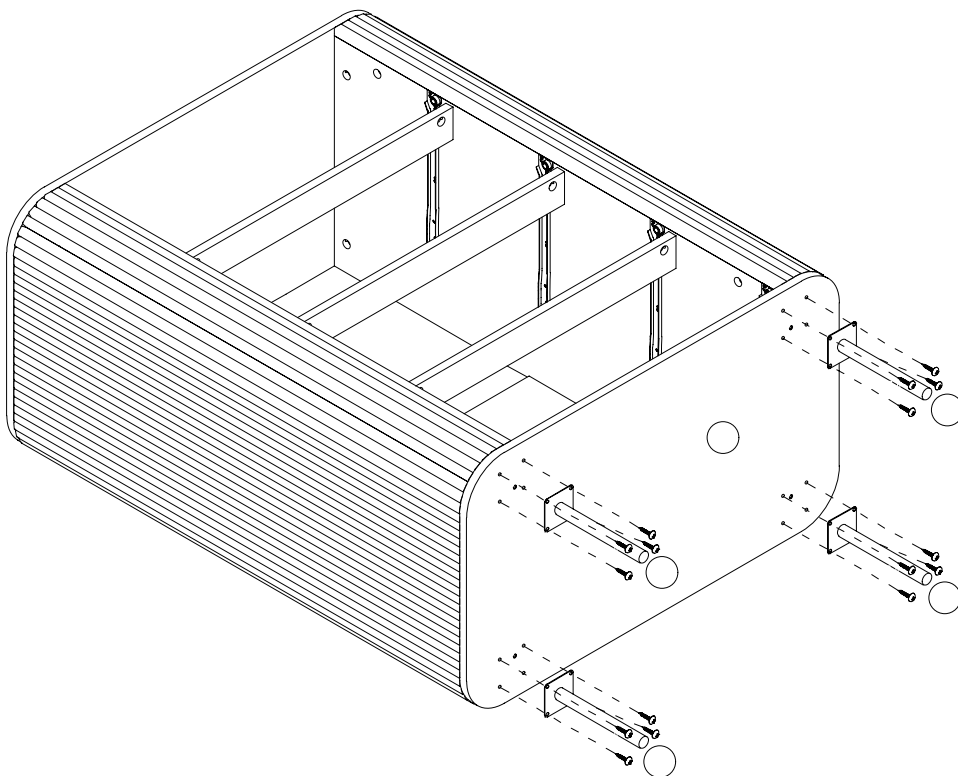
10



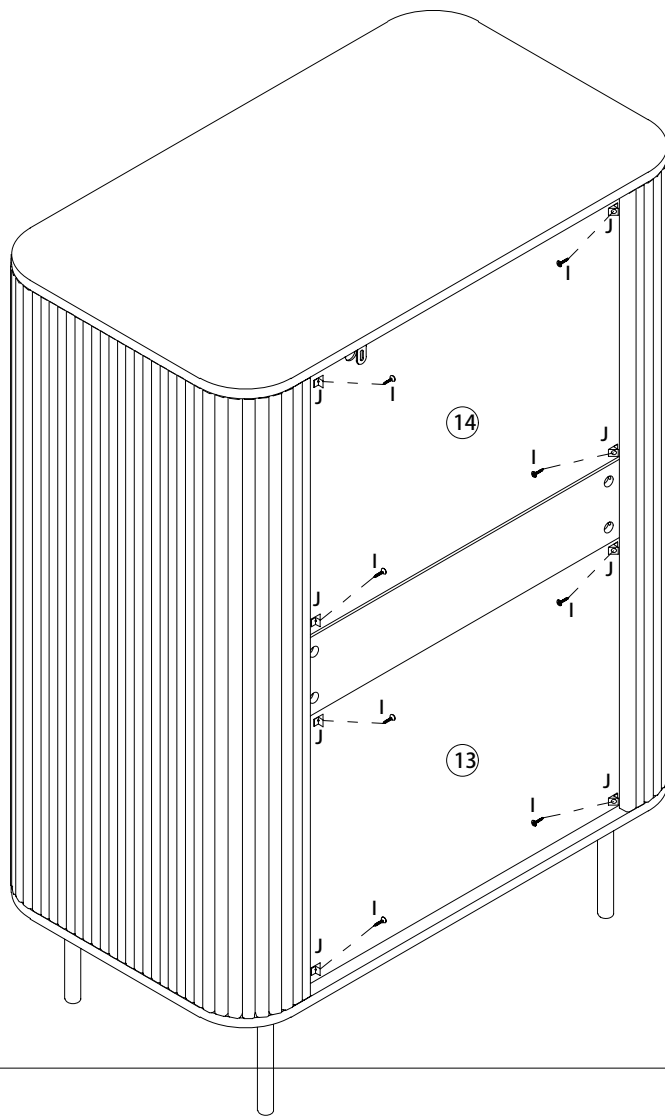
11



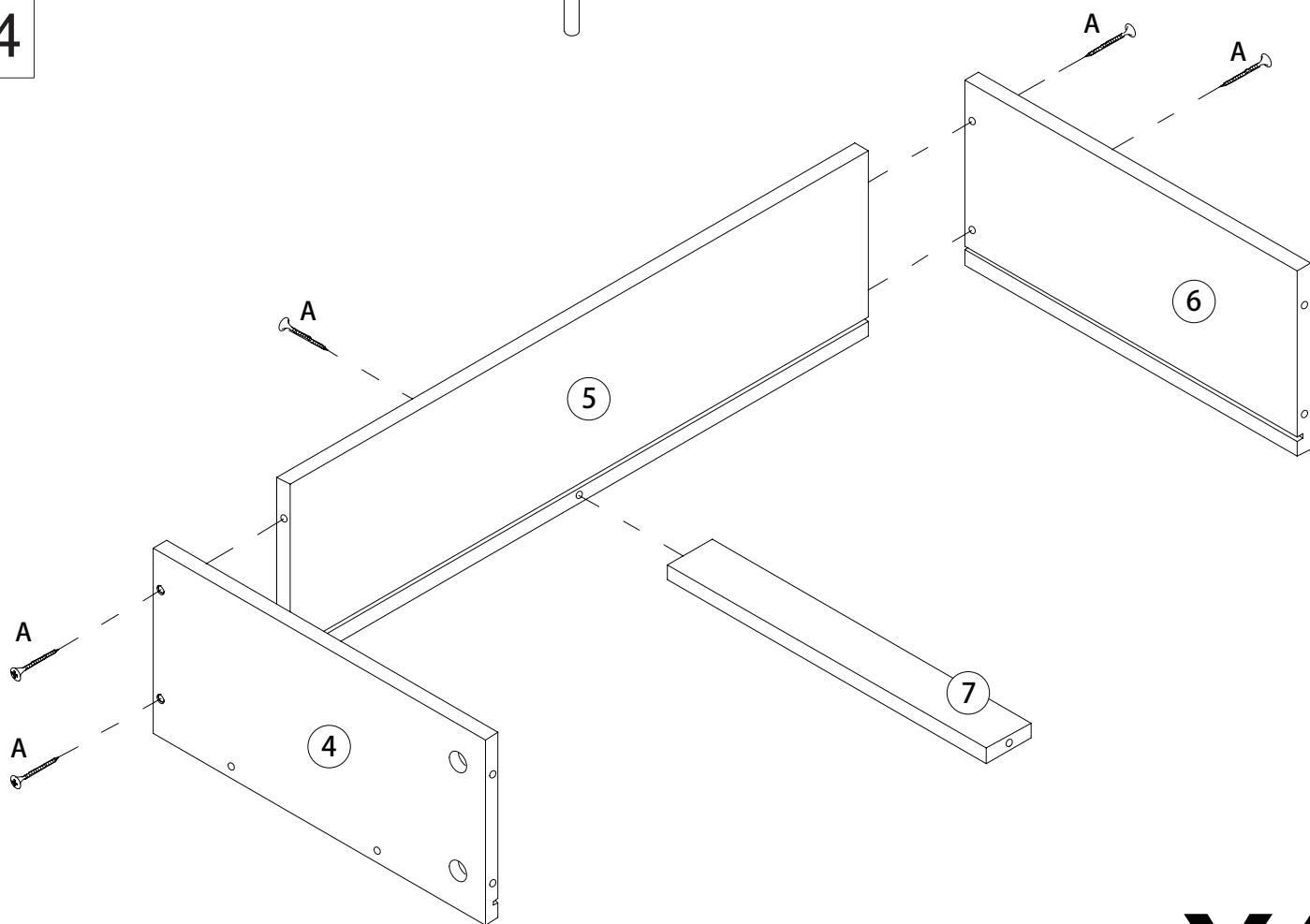
12



13

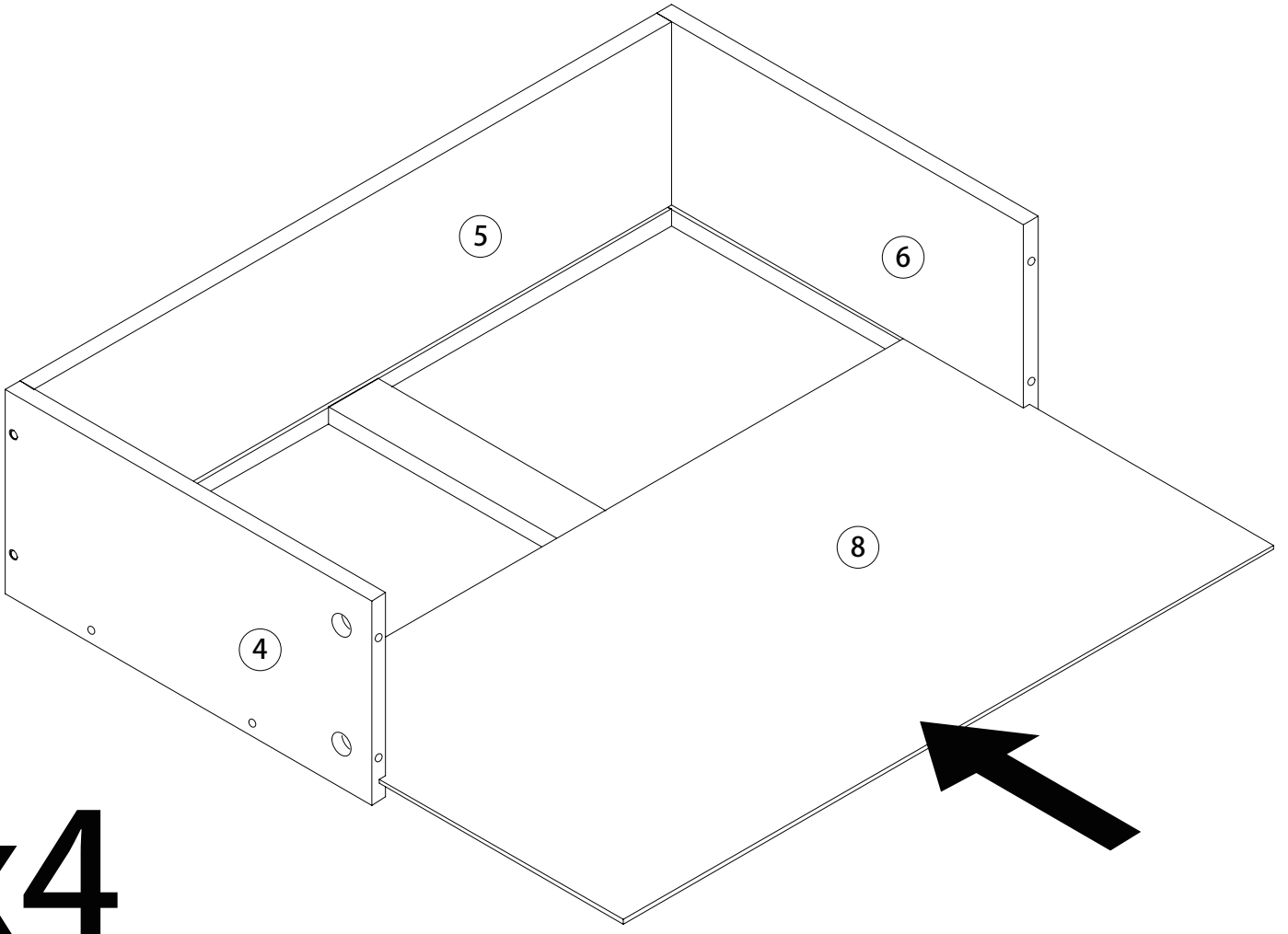


14



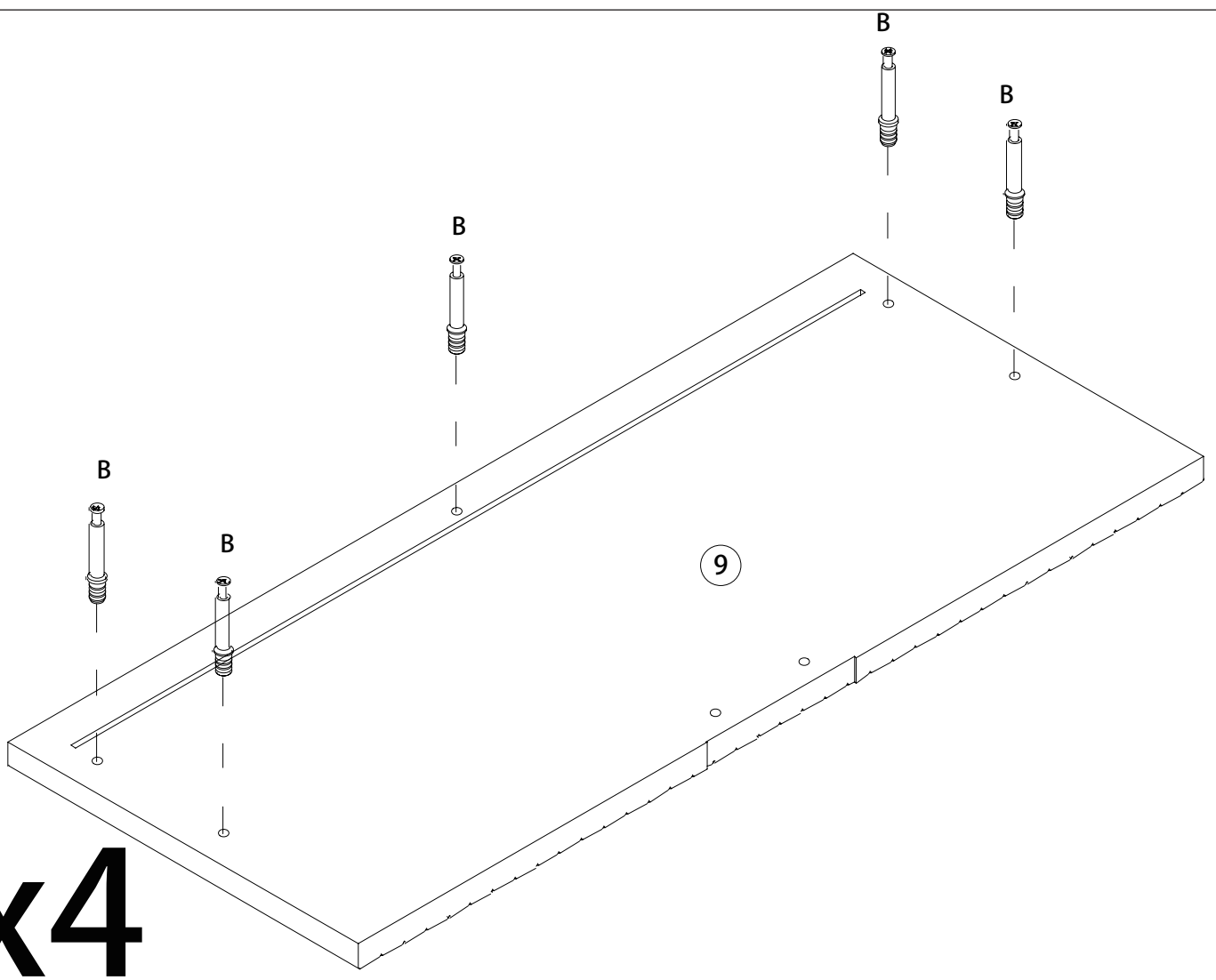
x4

15



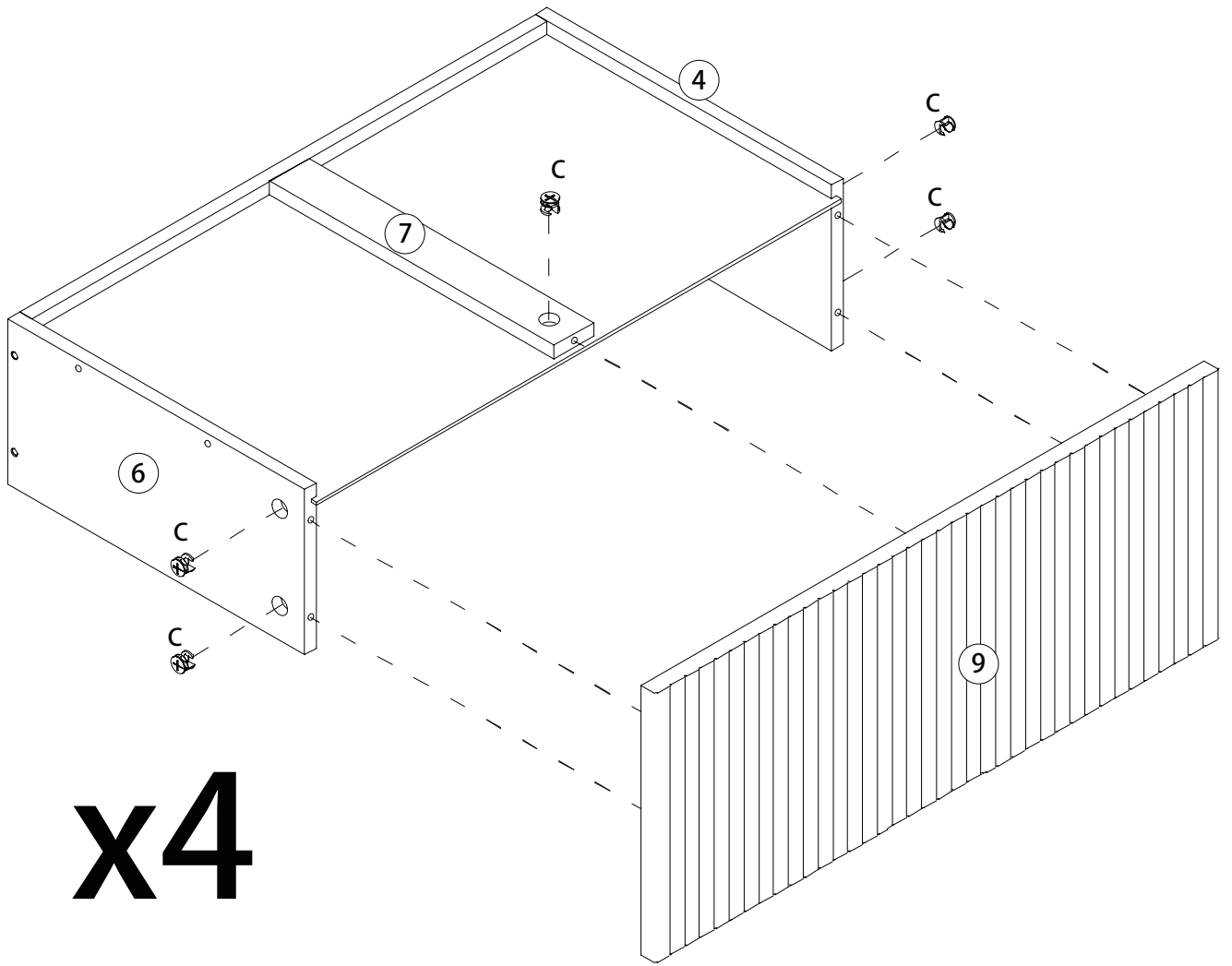
x4

16



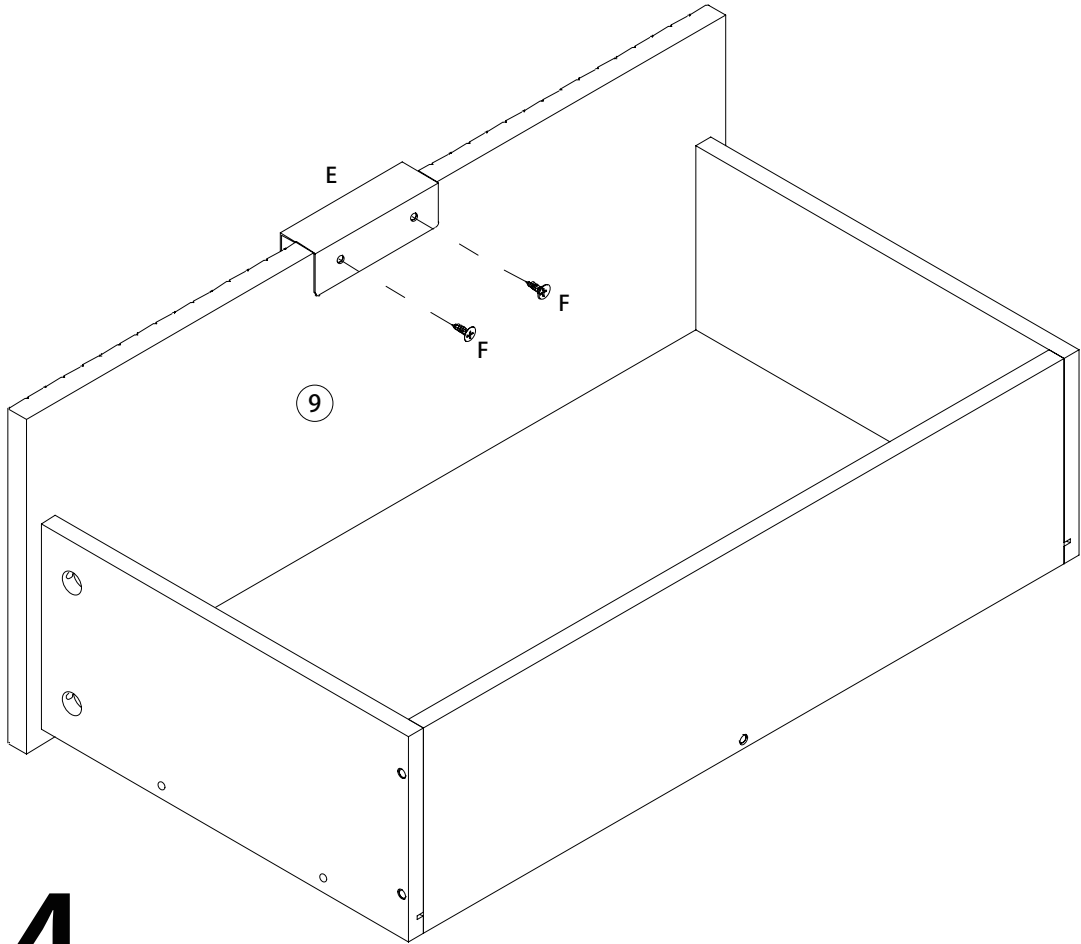
x4

17



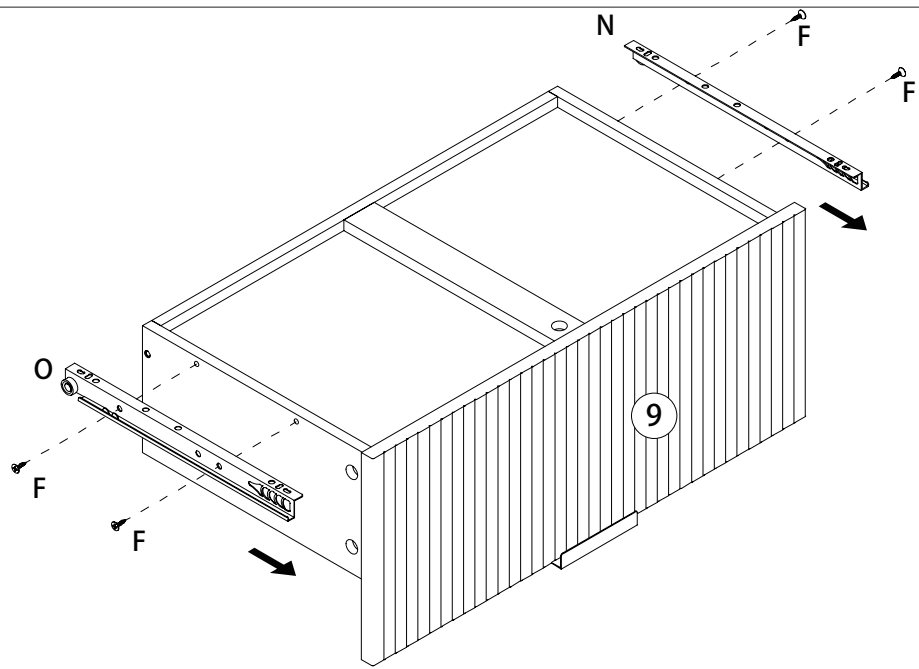
x4

18



x4

19



x4

20

