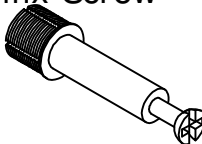
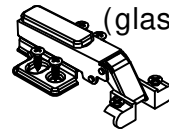
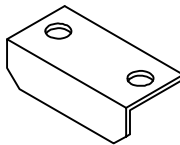
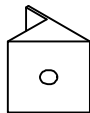
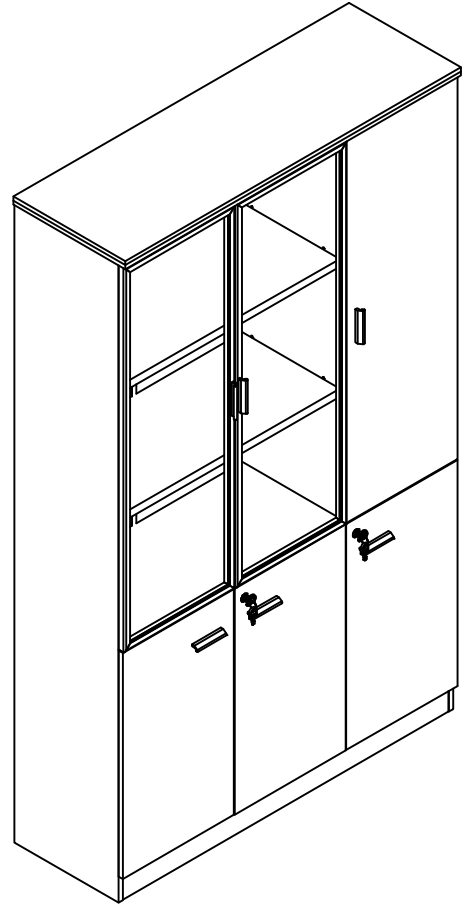

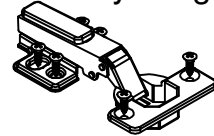
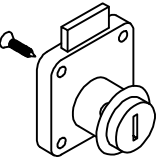
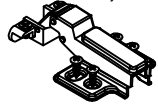
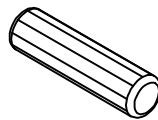
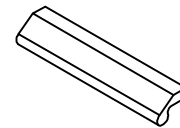
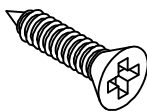
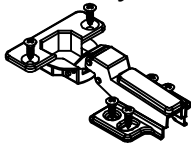
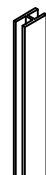




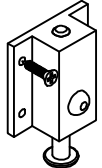
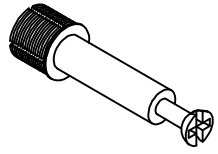


246-000028

<p>Minifix Screw</p>  <p>X50 A</p>	<p>Full overlay hinge (glass door)</p>  <p>X3 F</p>	<p>Lock metal minifix</p>  <p>X3 K</p>	<p>Back panel rubber fix</p>  <p>X12 P</p>	 <p>(1200X400X2000)</p>
<p>Minifix</p>  <p>X50 B</p>	<p>Full overlay hinge</p>  <p>X7 G</p>	<p>Lock</p>  <p>X2 L</p>	<p>Half overlay hinge (glass door)</p>  <p>X3 Q</p>	
<p>Wood Minifix</p>  <p>X10 C</p>	<p>Handle</p>  <p>X6 H</p>	<p>Screw 4*20</p>  <p>X8 M</p>	<p>Half overlay hinge</p>  <p>X2 R</p>	
<p>Back panel bar fix</p>  <p>X1 D</p>	<p>Handle screw M4*18</p>  <p>X8 I</p>	<p>Screw 3.5*14</p>  <p>X112 N</p>		
<p>Shelves fix screw</p>  <p>X24 E</p>	<p>Handle screw M4*25</p>  <p>X4 J</p>	<p>Lock (inside)</p>  <p>X1 O</p>		



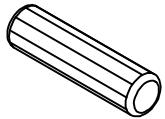
X20

A



X20

B

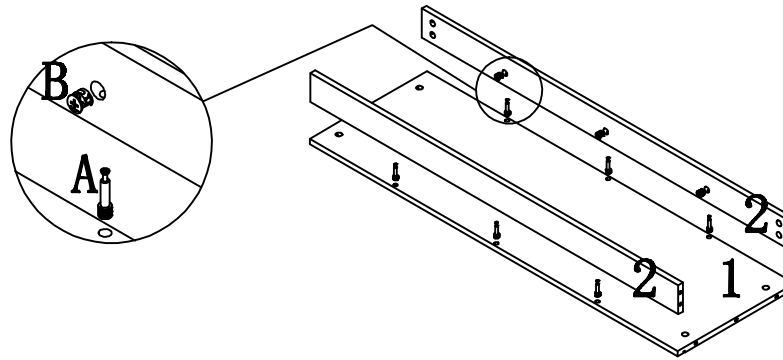


X3

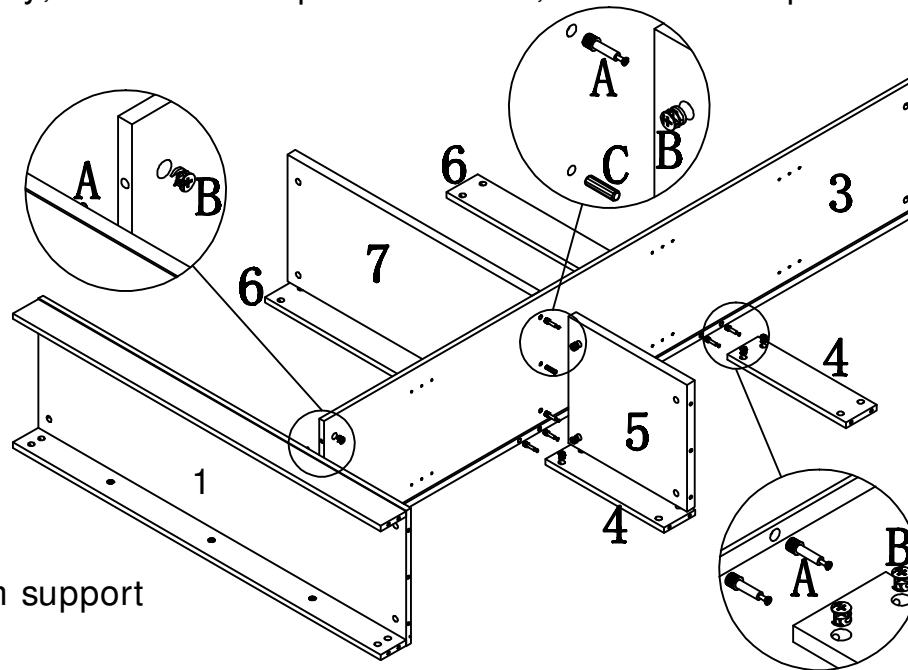
C

STEP: 1

To fix the panel 1 and panel 2



To fix the panel 3 firstly, then to fix the panel 5 and 7, final to fix the panel 4 and 6



Bottom support

STEP:2

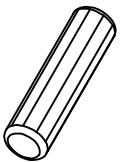
To fix the side panel 8 and panel 9



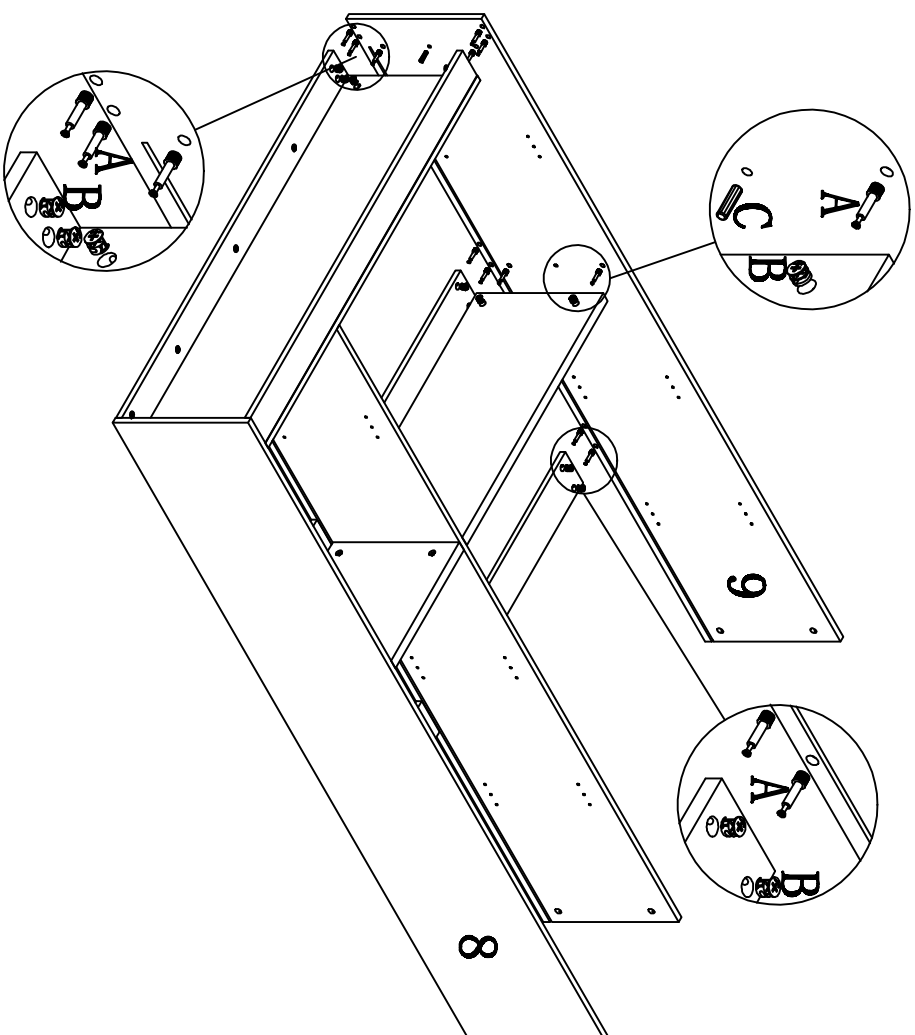
X24
A

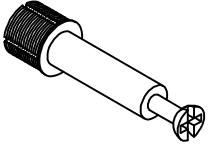
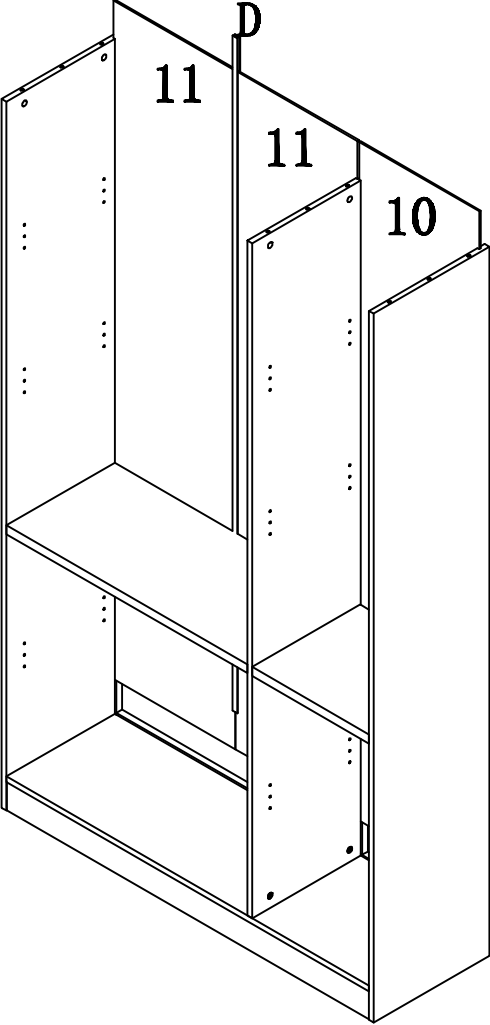
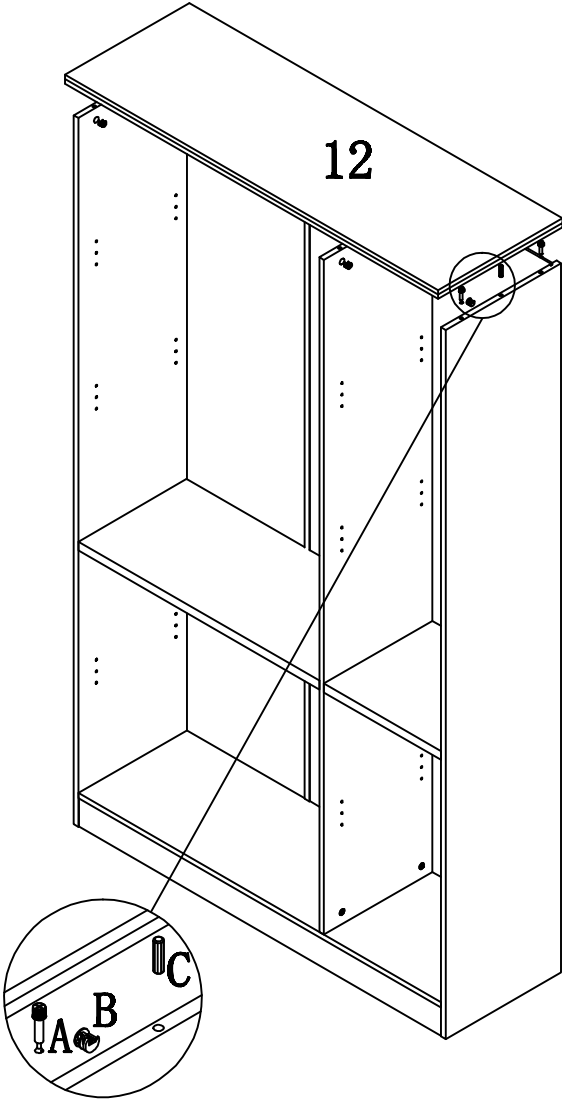

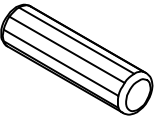
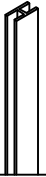


X24
B



X4
C



 <p>X6 A</p>	<p>STEP:3</p> <p>To put the back panel 10 and panel 11 inside , then use D to fix two panel 11</p> 	<p>To fix the top panel 12</p> 
 <p>X6 B</p>		
 <p>X3 C</p>		
 <p>X1 D</p>		

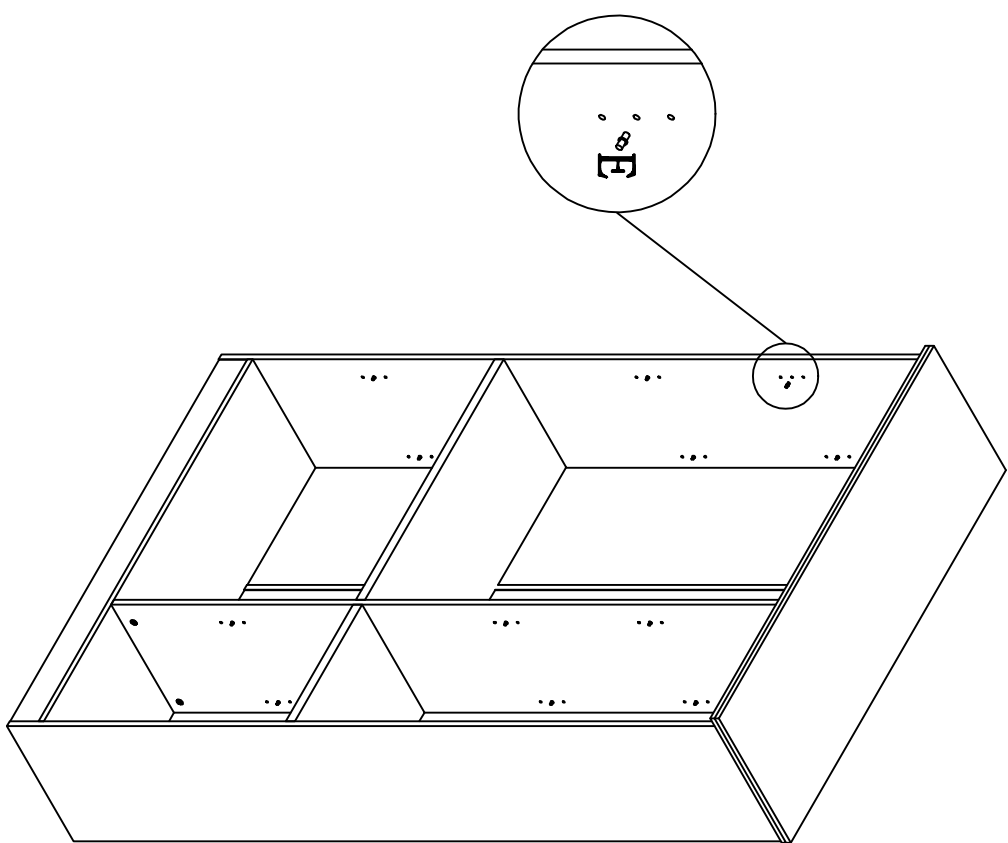
STEP : 4

To fix shelves fix screw E



X24

E

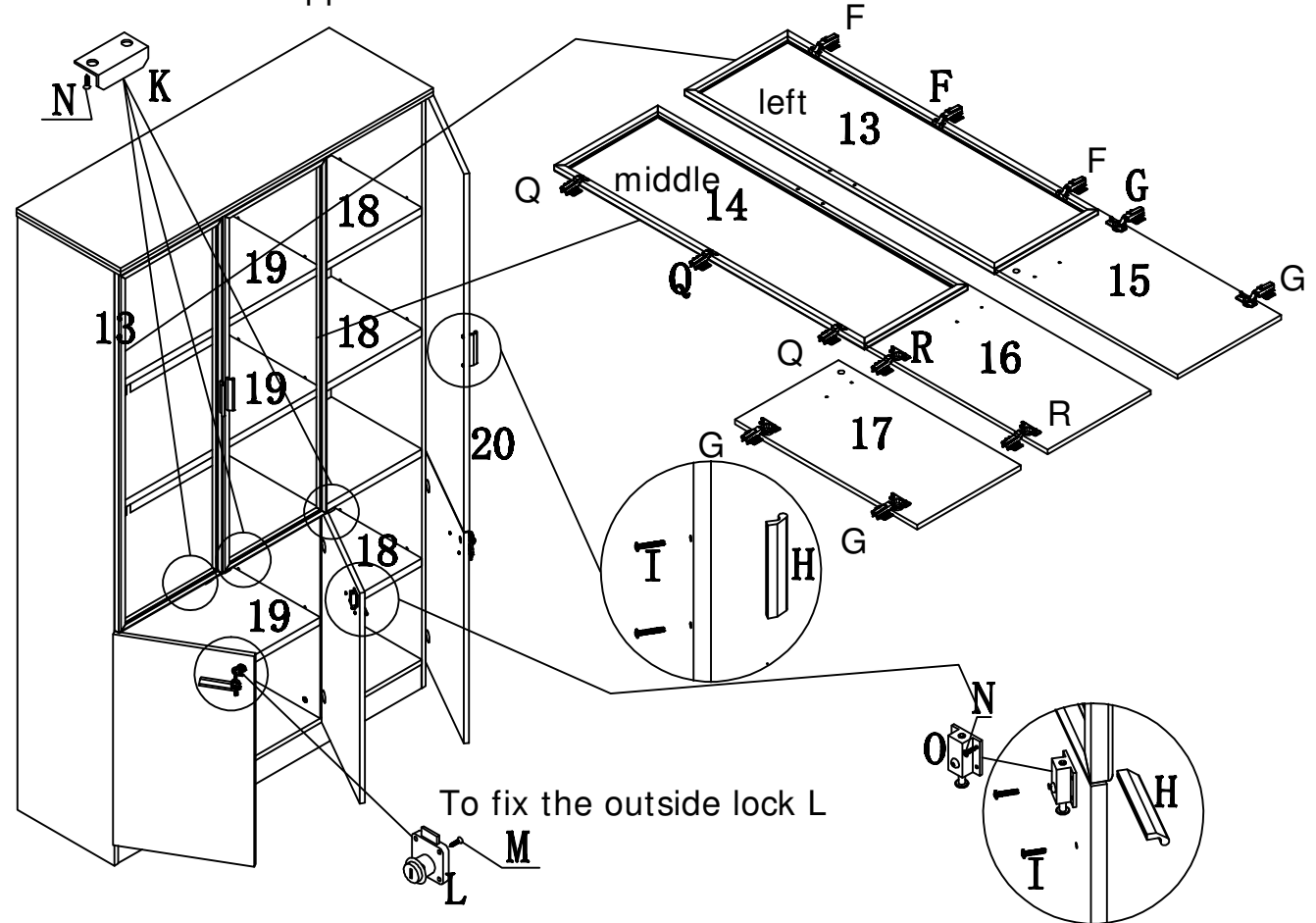


STEP:5

To put the all shelves panel inside ,to fix the hinges on doors,then to fix in cabinet

X3	F	X2	L
X7	G	X8	M
X6	H	X112	N
X8	I	X1	O
X4	J	X3	Q
X3	K	X2	R

To fix lock metal support K



To fix the inside lock O on middle wood door and fix the handles for all doors

Remark: To use hinge G to fix right side upper wood door

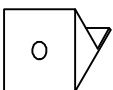
3. 5*14STEP:6

To fix the back panel rubber P

FINISH



X12 N



X12 P

