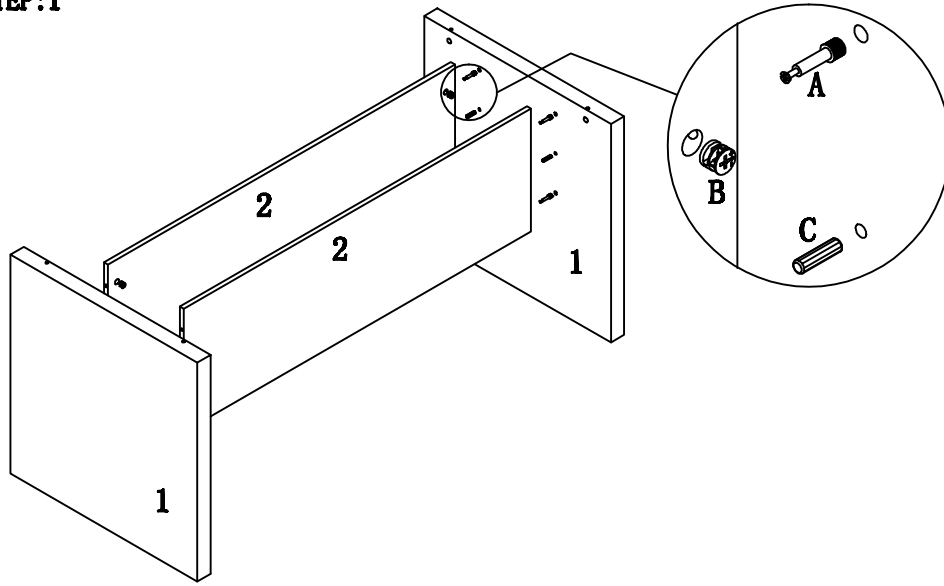
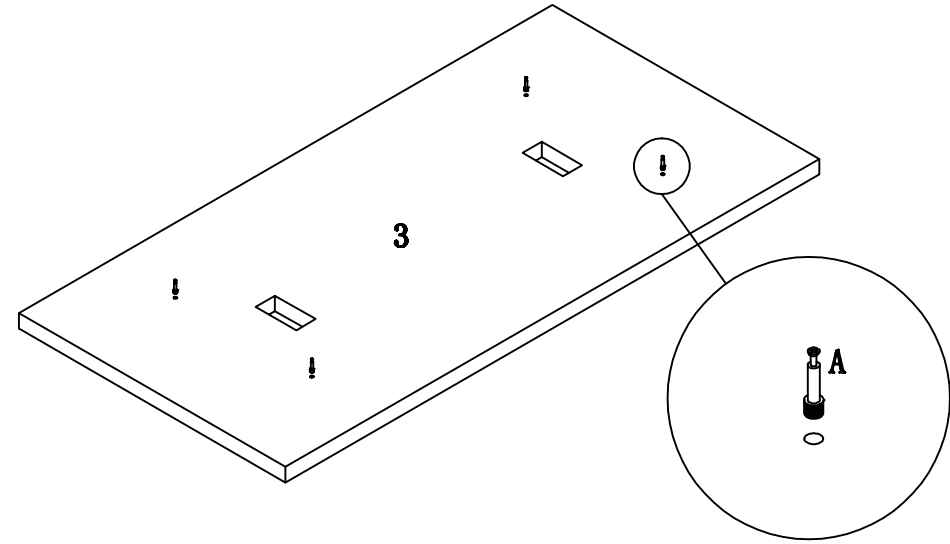


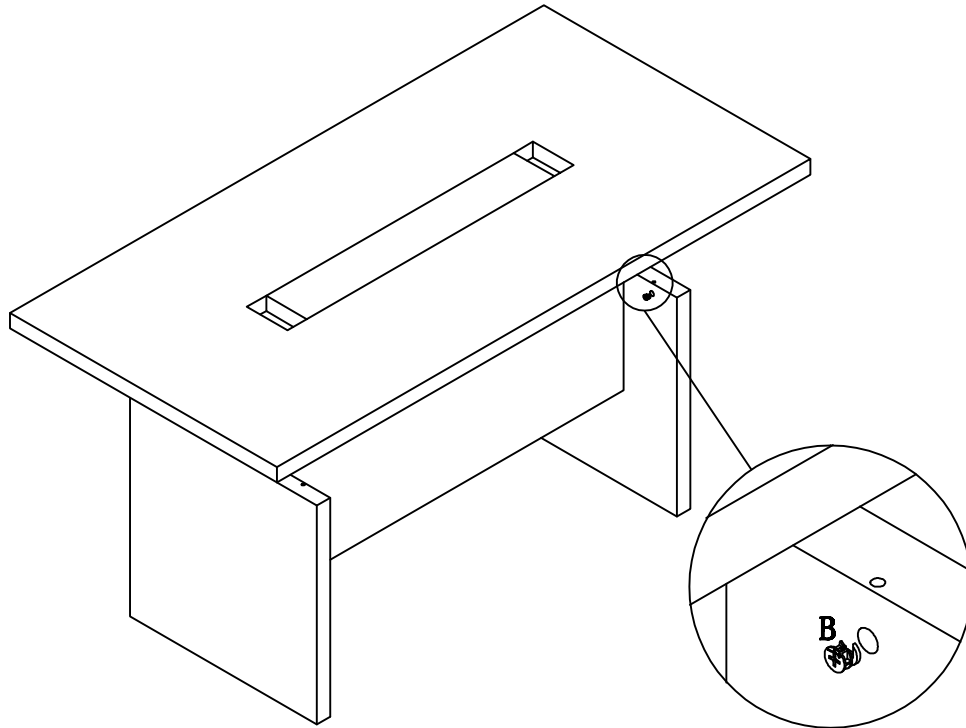
STEP:1



STEP:2

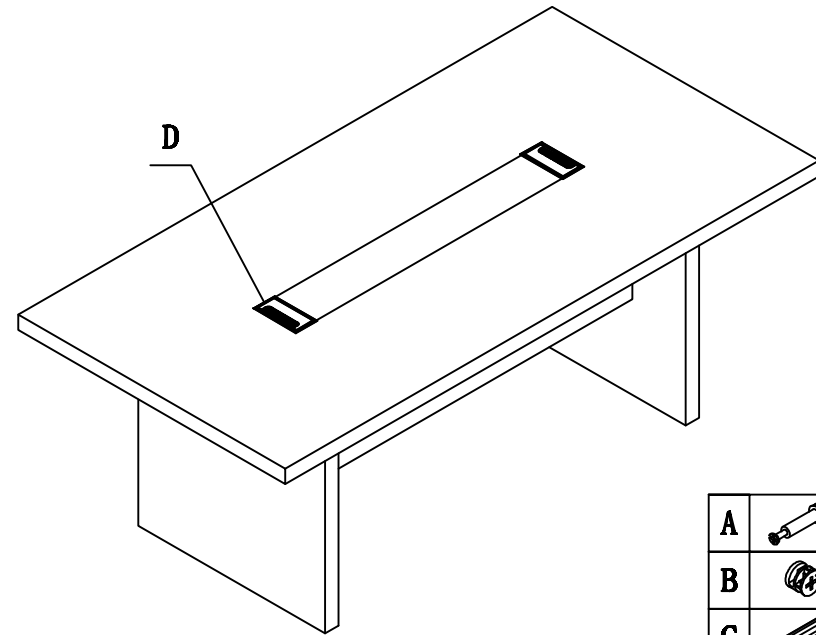


STEP:3



STEP:4

FINISH



(2400X1200X760)

A		12 PCS
B		12 PCS
C		4 PCS
D		2 PCS