
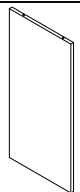
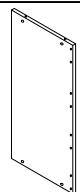
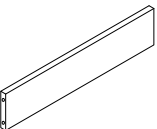
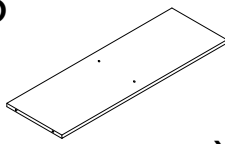
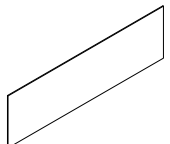
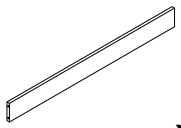
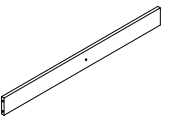
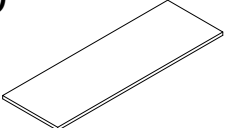
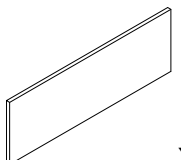
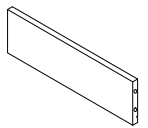
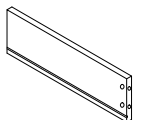
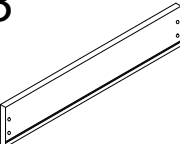
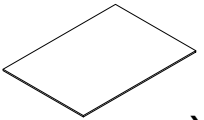
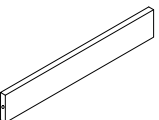
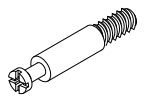
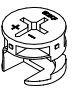
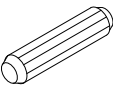
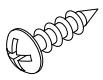
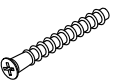


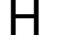



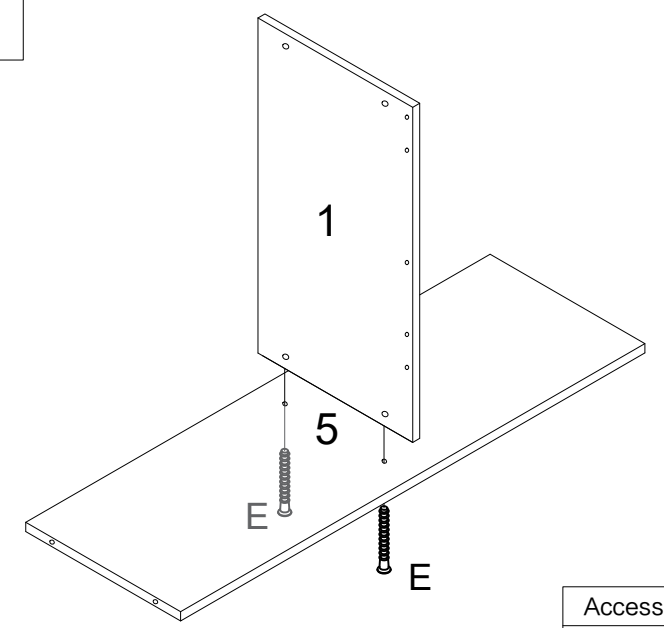



230-000024

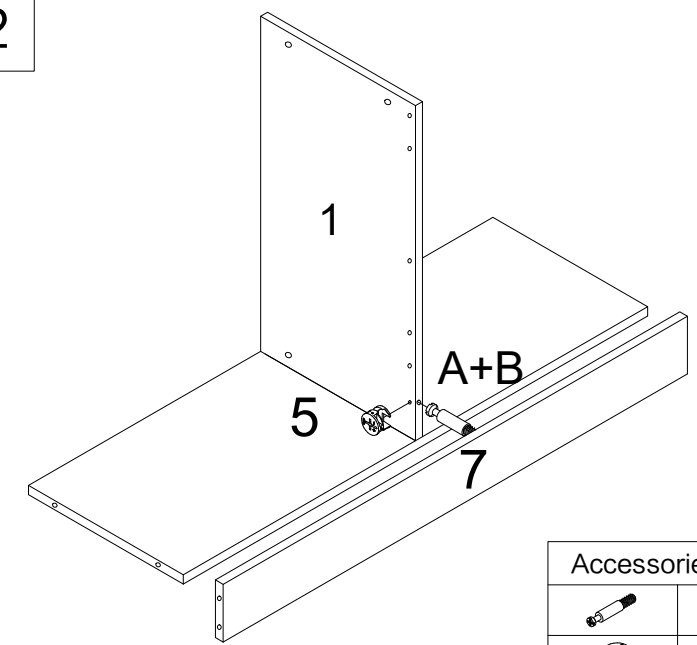
1  X1	2  X1	3  X1	4  X4
5  X1	6  X2	7  X1	8  X1
9  X1	10  X6	11  X6	12  X6
13  X6	14  X6	15  X2	A  X51
B  X51	C  X8	D (3.5X12)  X48	E (5X50)  X31
F  F1 F2 X12		G  X2	H  X2
I  X2	J  X2	K  X1	



Step 1



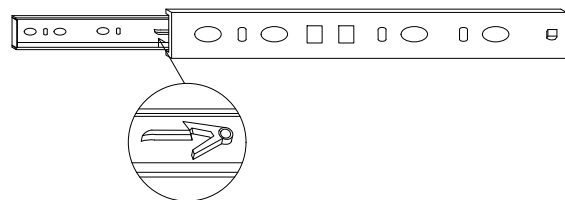
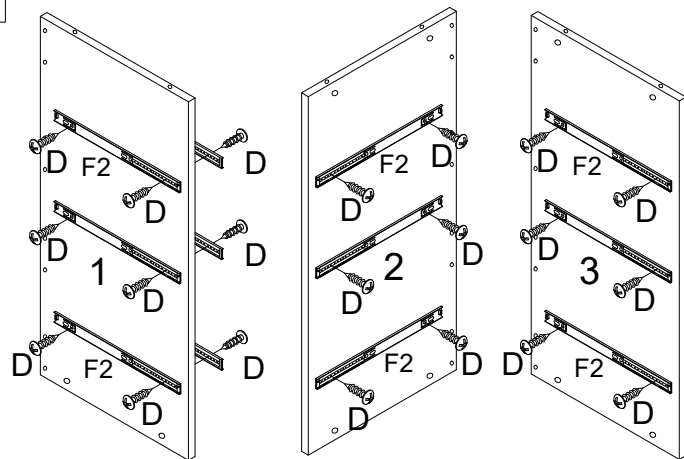
Accessories used	
	EX2

Step 2



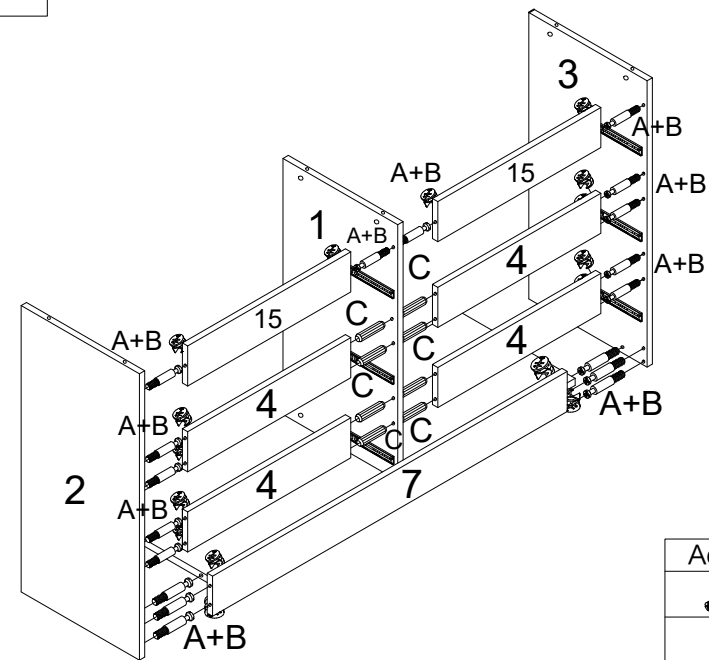
Accessories used	
	AX1
	BX1




### Step 3



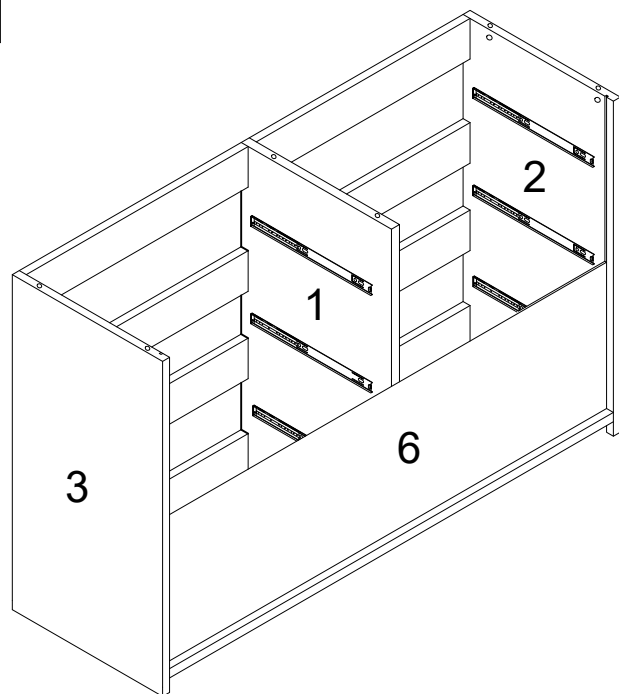
Accessories used	
	DX24

### Step 4

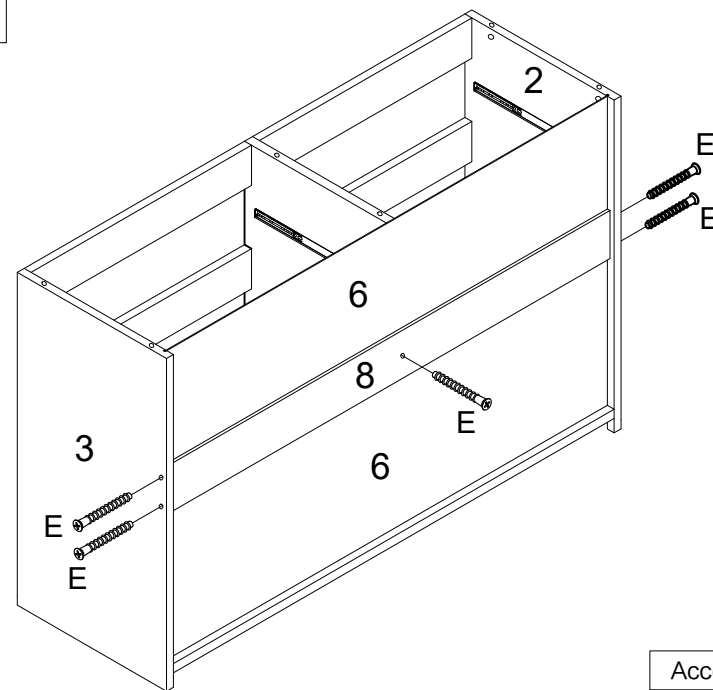



Accessories used	
	AX20
	BX20
	CX8

### Step 5

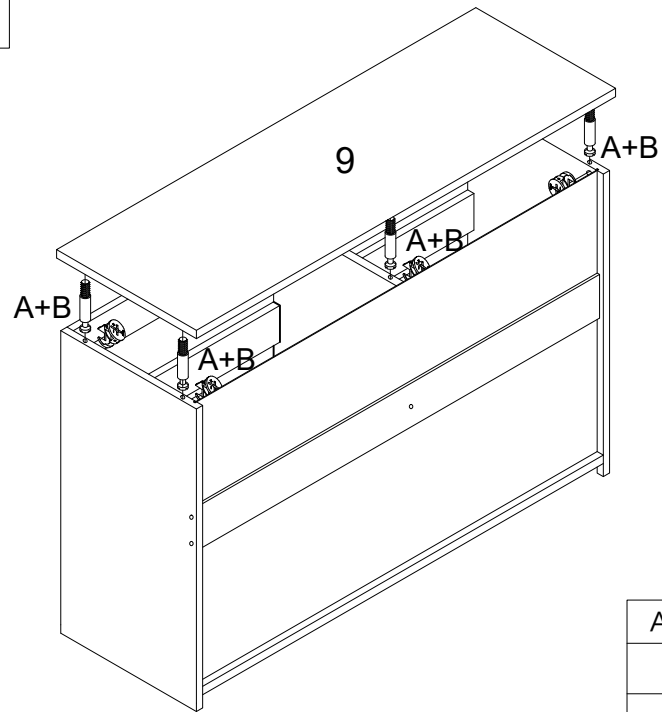


### Step 6



Accessories used	
	EX5

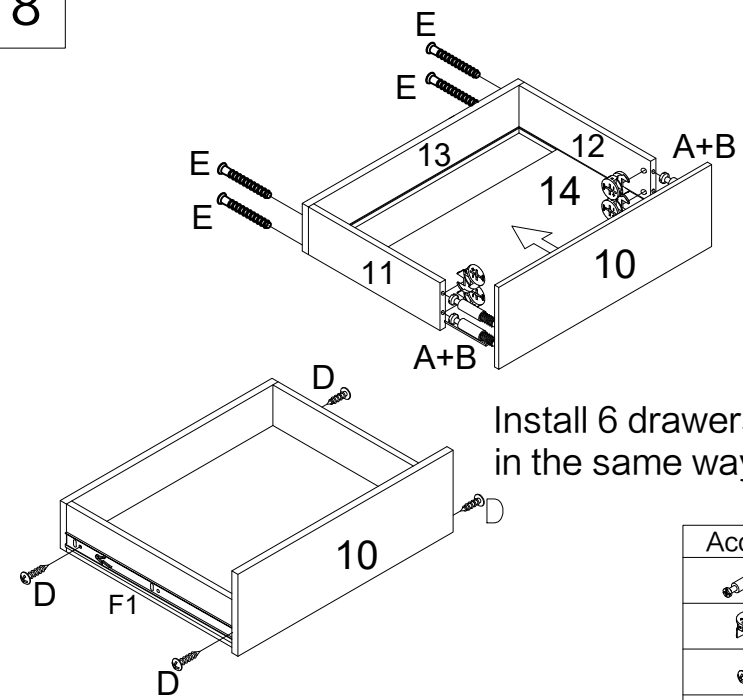
# Step 7



Accessories used





	AX6
	BX6

# Step 8

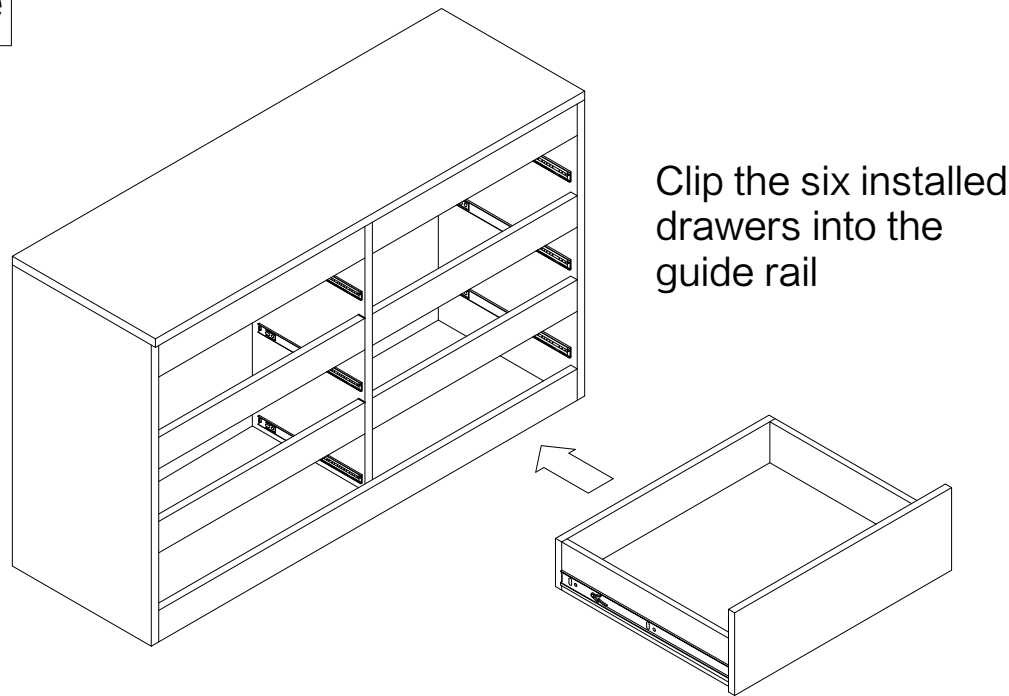


Install 6 drawers in the same way

Accessories used

	AX24
	BX24
	DX24
	EX24

# complete



Clip the six installed drawers into the guide rail

