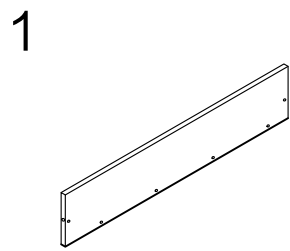
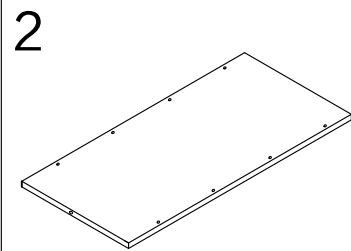


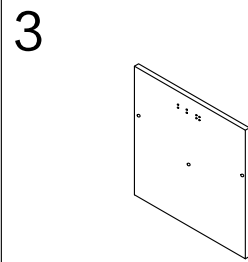
230-000023



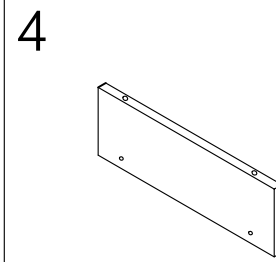
X2



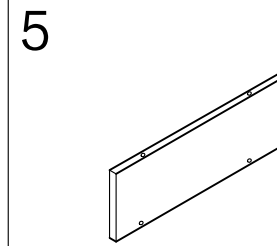
X1



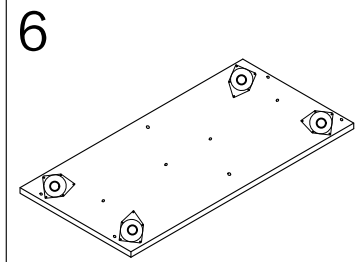
X2



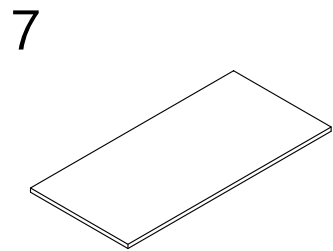
X1



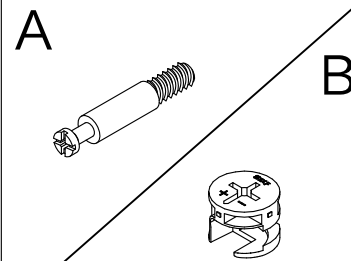
X1



X2



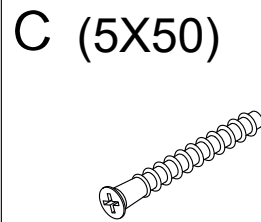
X1



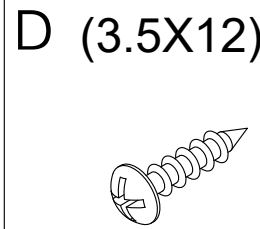
B



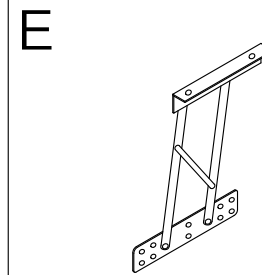
X20



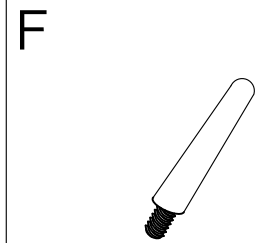
X10



X20

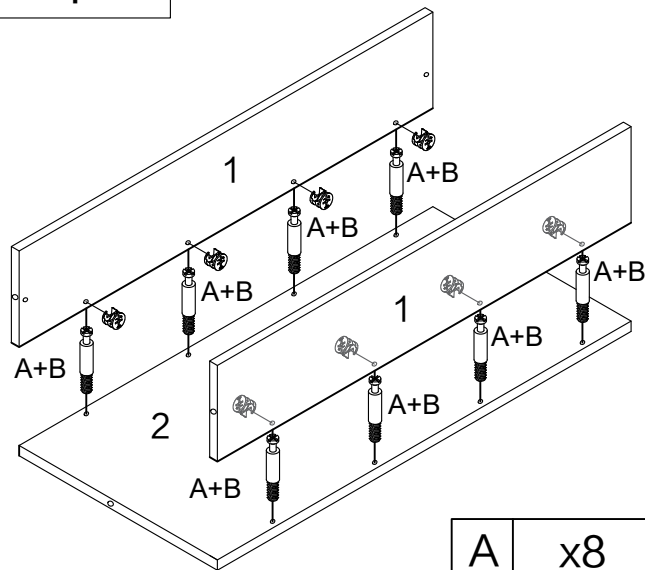


X2



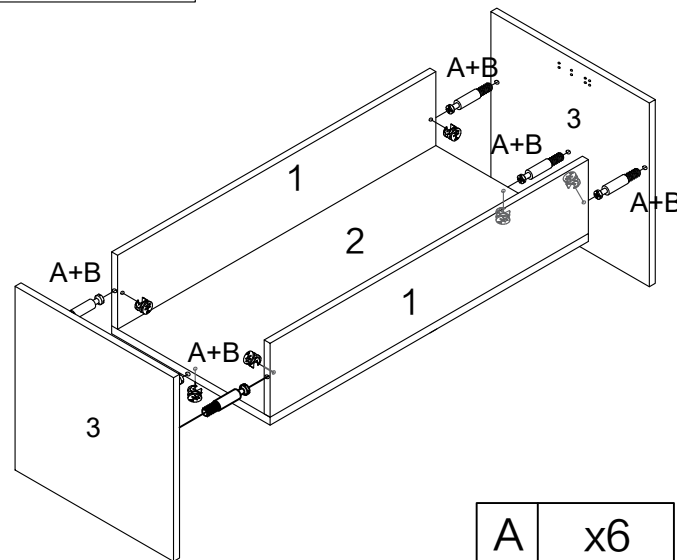
X4

Step 1



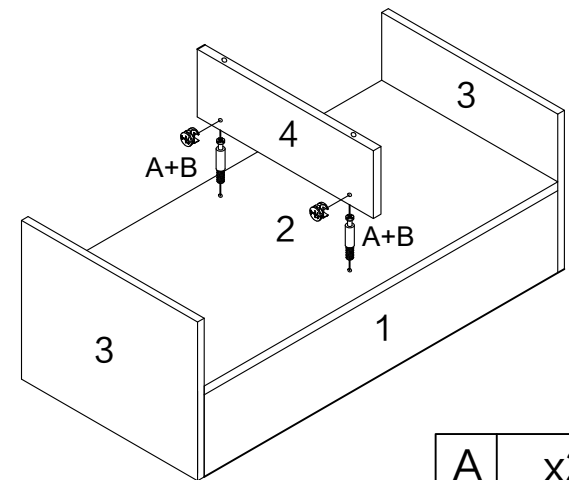
A	x8
B	x8

Step 2



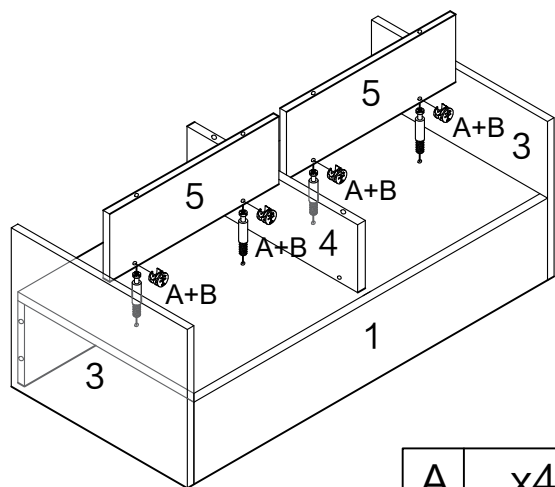
A	x6
B	x6

Step 3



A	x2
B	x2

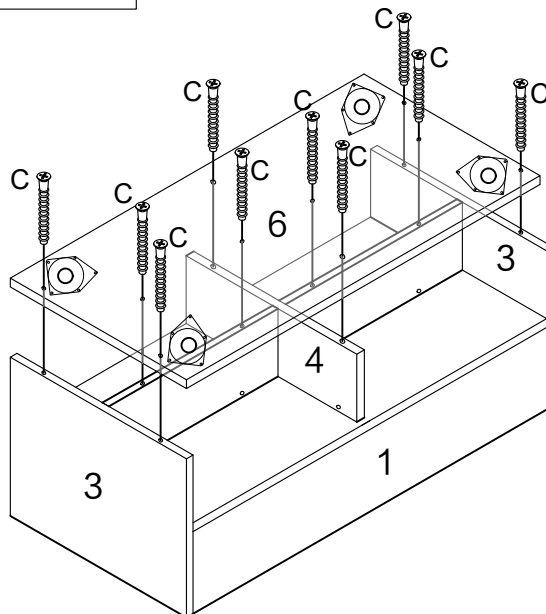
Step 4



A	x4
---	----

B	x4
---	----

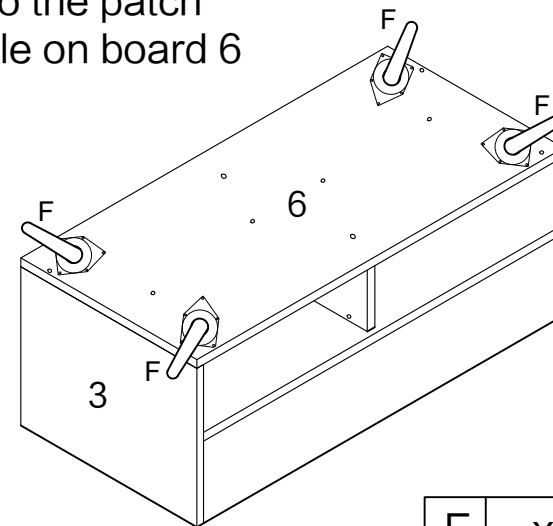
Step 5



C	x10
---	-----

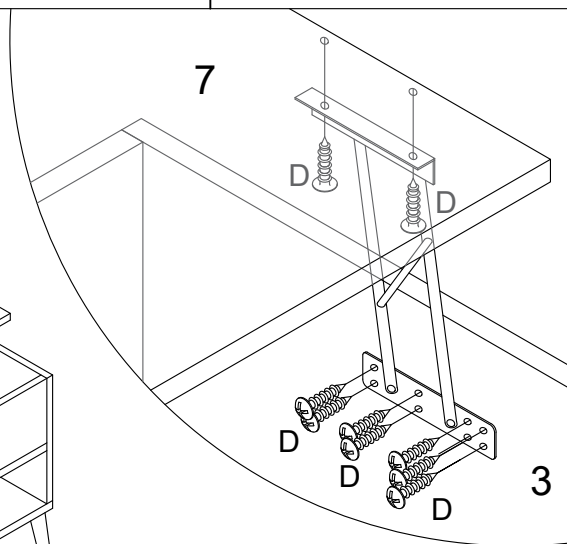
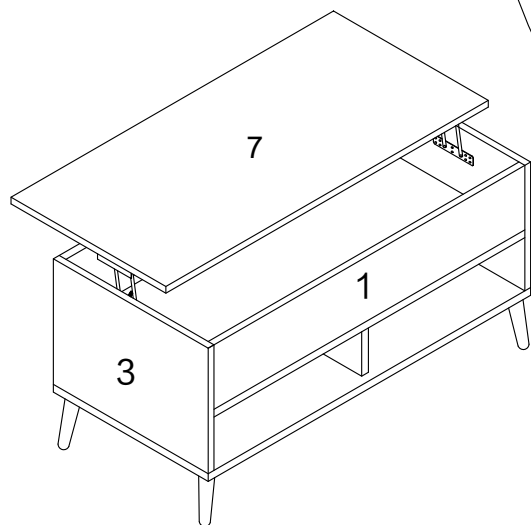
Step 6

Screw the F leg into the patch hole on board 6



F	x4
---	----

Step 7



D	x20
---	-----

complete

