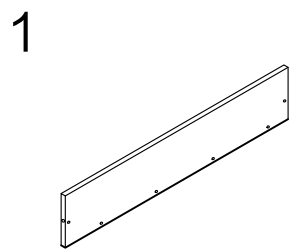
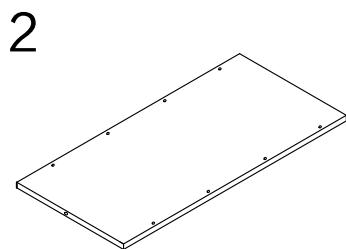


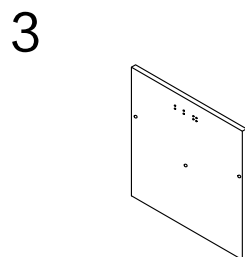
230-000022



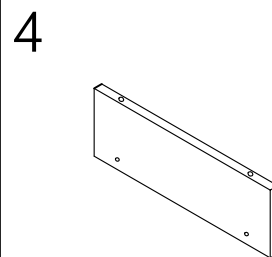
X2



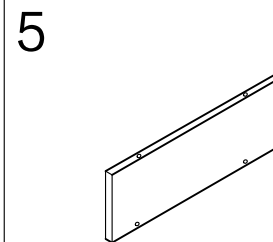
X1



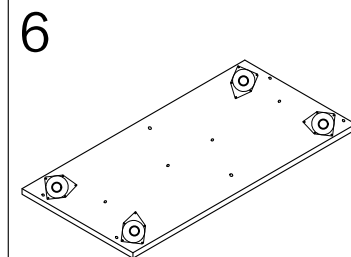
X2



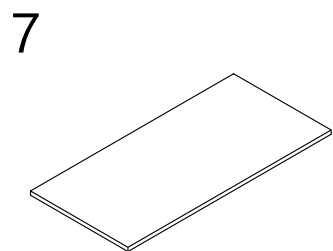
X1



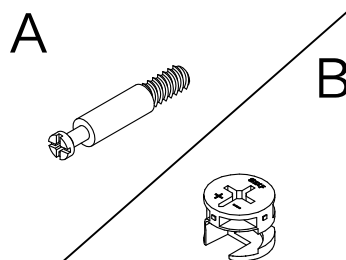
X1



X2



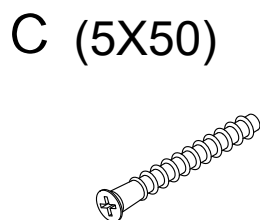
X1



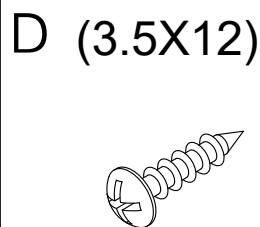
B



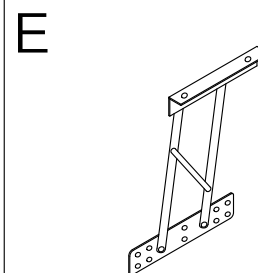
X20



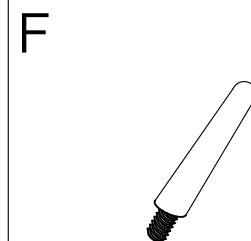
X10



X20

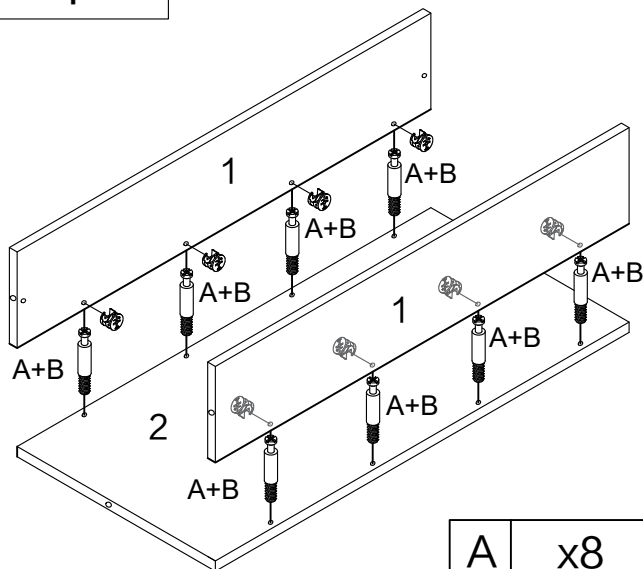


X2



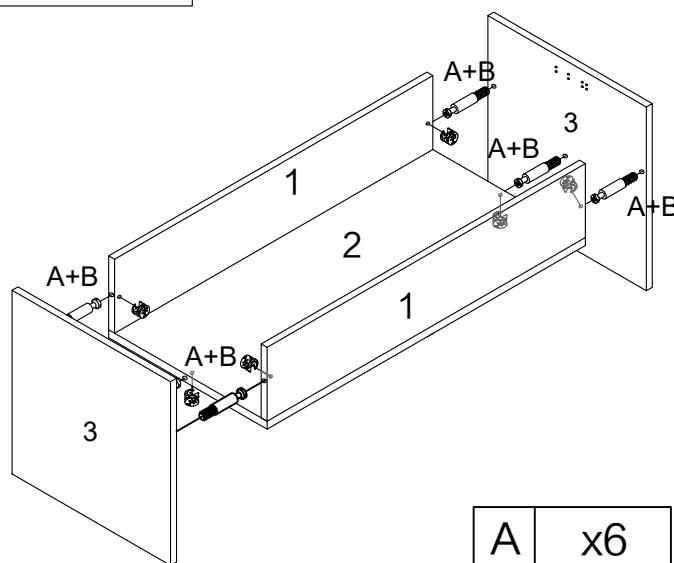
X4

Step 1



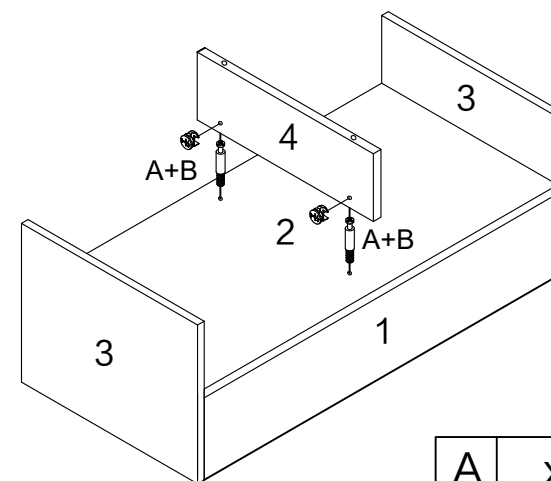
|   |    |
|---|----|
| A | x8 |
| B | x8 |

Step 2



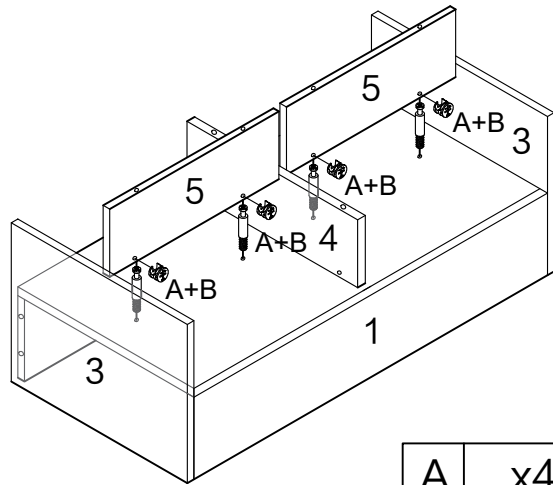
|   |    |
|---|----|
| A | x6 |
| B | x6 |

Step 3



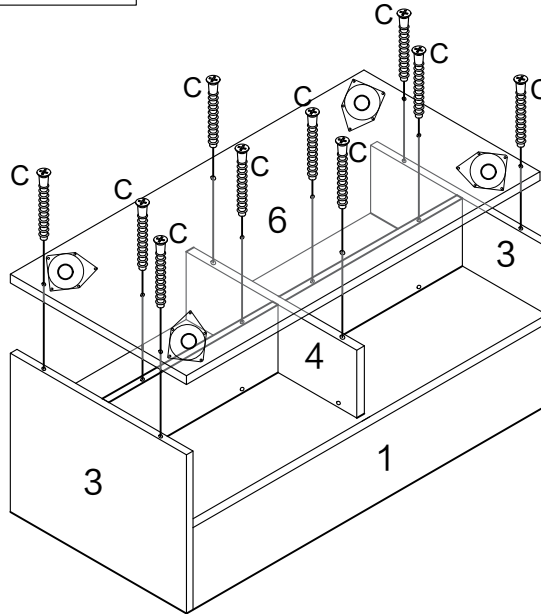
|   |    |
|---|----|
| A | x2 |
| B | x2 |

### Step 4



|   |    |
|---|----|
| A | x4 |
| B | x4 |

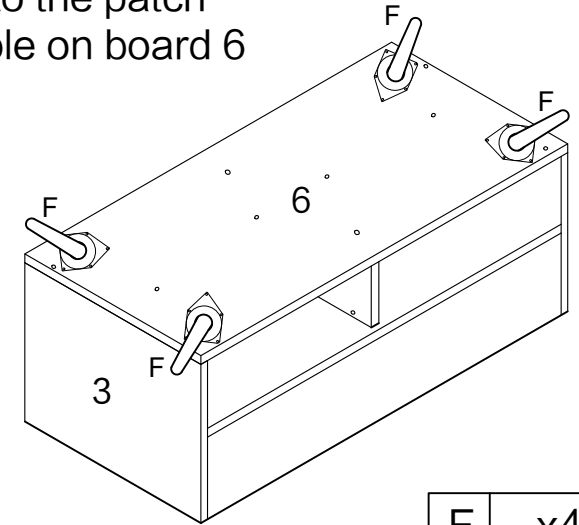
### Step 5



|   |     |
|---|-----|
| C | x10 |
|---|-----|

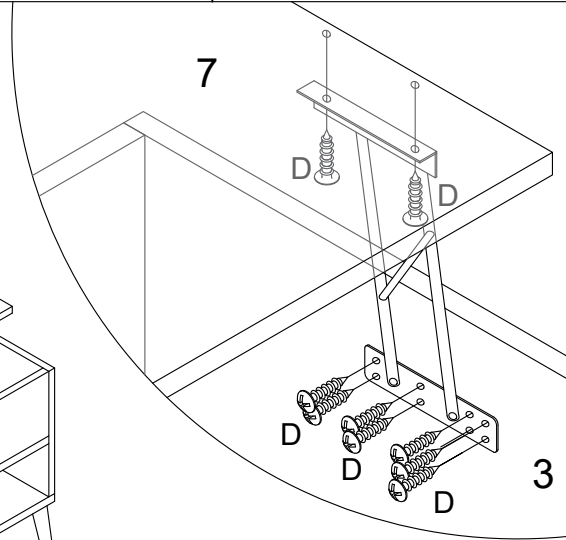
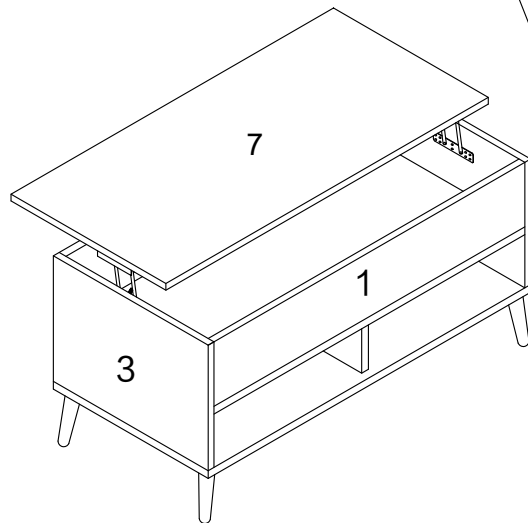
### Step 6

Screw the F leg into the patch hole on board 6



|   |    |
|---|----|
| F | x4 |
|---|----|

### Step 7



|   |     |
|---|-----|
| D | x20 |
|---|-----|

### complete

