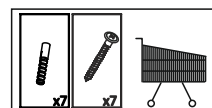
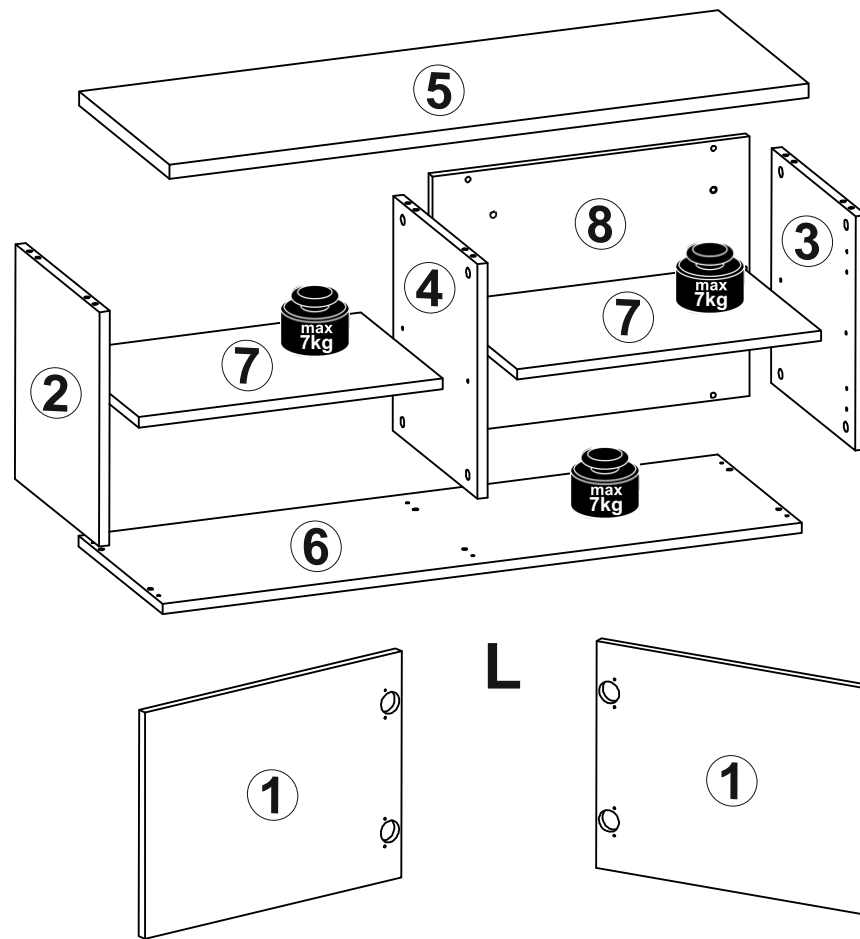


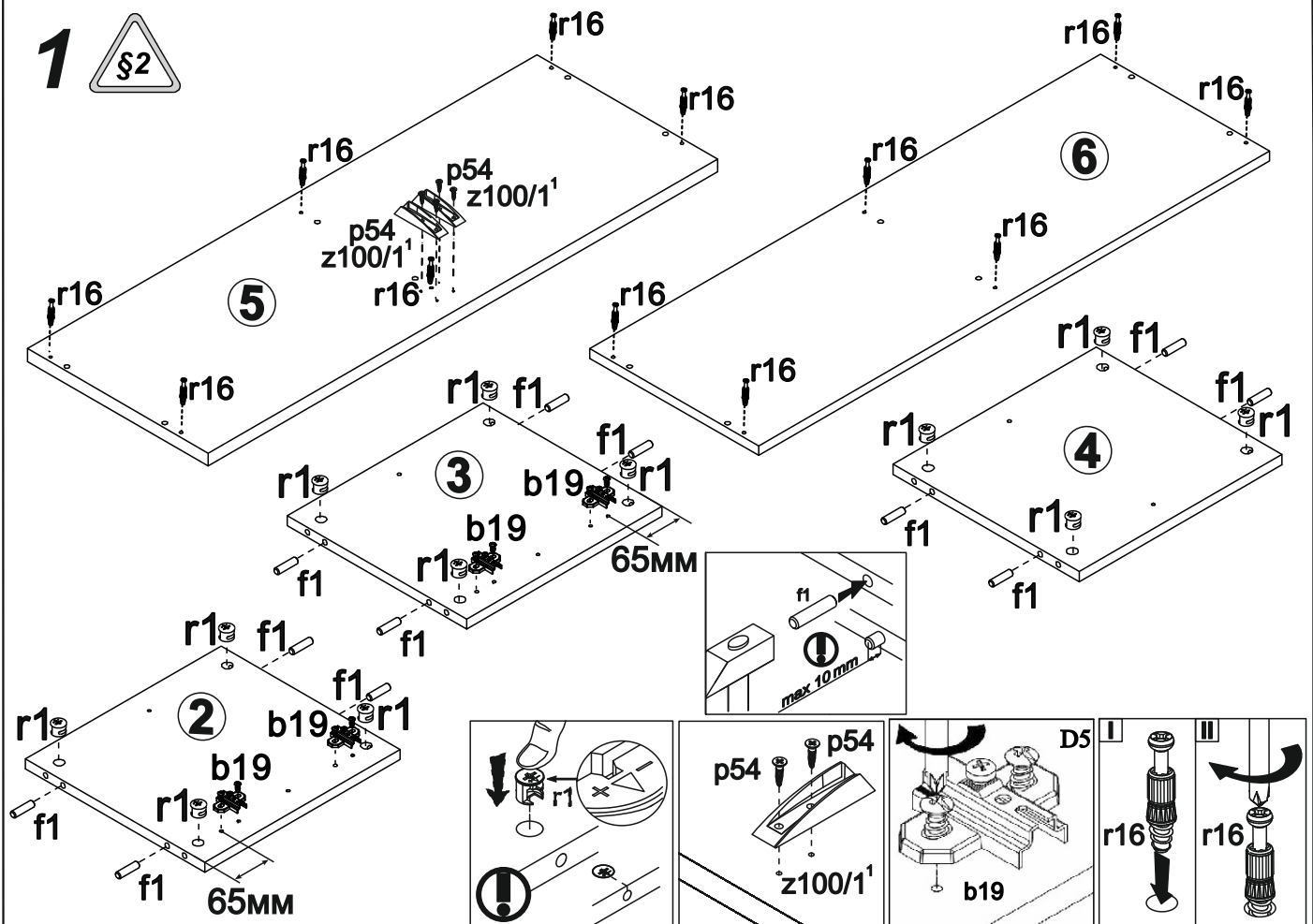
6x KO  <b>a44</b>	6x  <b>b19</b> D5	10x  φ7x50 mm <b>e1</b>	2x  <b>k1</b>	12x  φ3,5x15 mm <b>p51</b>	24x  <b>l1</b>
20x  φ8x30 mm <b>f1</b>	16x  φ15x12mm #16 <b>r1</b>	16x  20/9 <b>r16</b>	2x  <b>n122/1</b>	4x  φ4x30 mm <b>p21</b>	2x  <b>n10</b>
5x  32 mm <b>g500</b>	10x  M4x43 mm <b>j19</b>	1x  <b>z1</b>	6x  φ3x12 mm <b>p54</b>	2x  <b>z100/1<sup>1</sup></b>	2x  <b>z100/1<sup>2</sup></b>
16x  φ16 <b>s2</b>	16x  φ5x17 mm <b>d1</b>	1x  <b>o21</b>	2x  <b>z100/1<sup>3</sup></b>	2x  <b>z100/1<sup>4</sup></b>	
4x  ø5 <b>s4</b>	2x  ø20 <b>s100</b>				



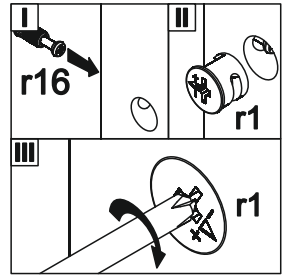
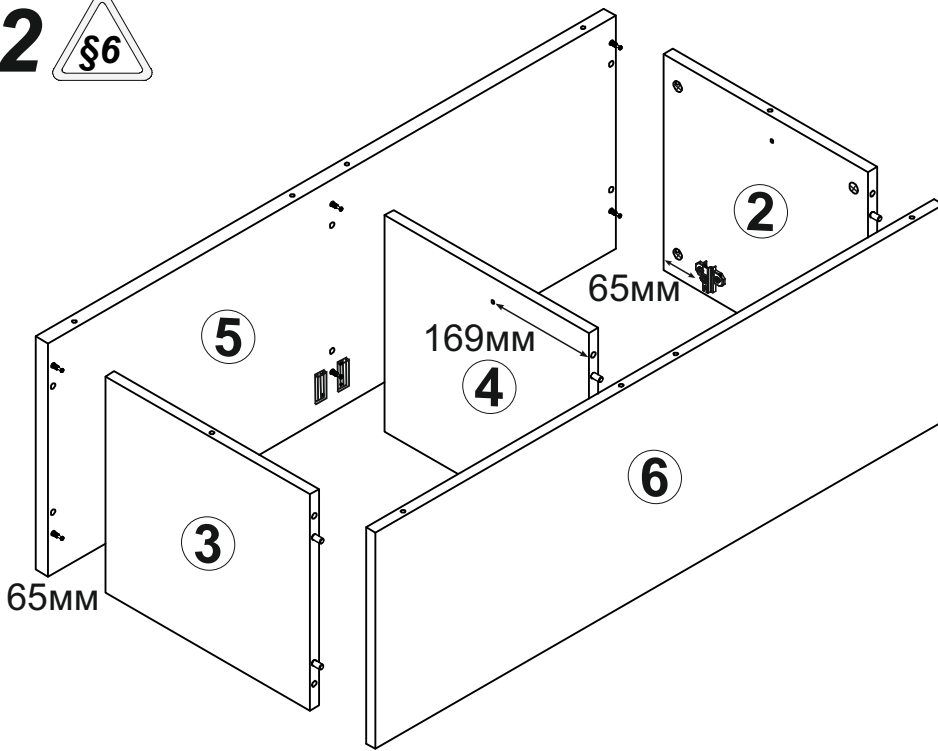
I



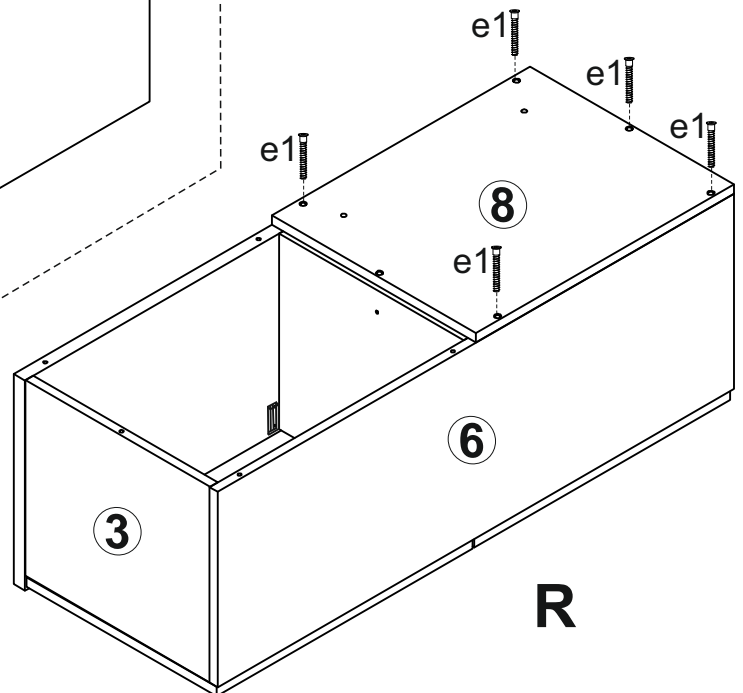
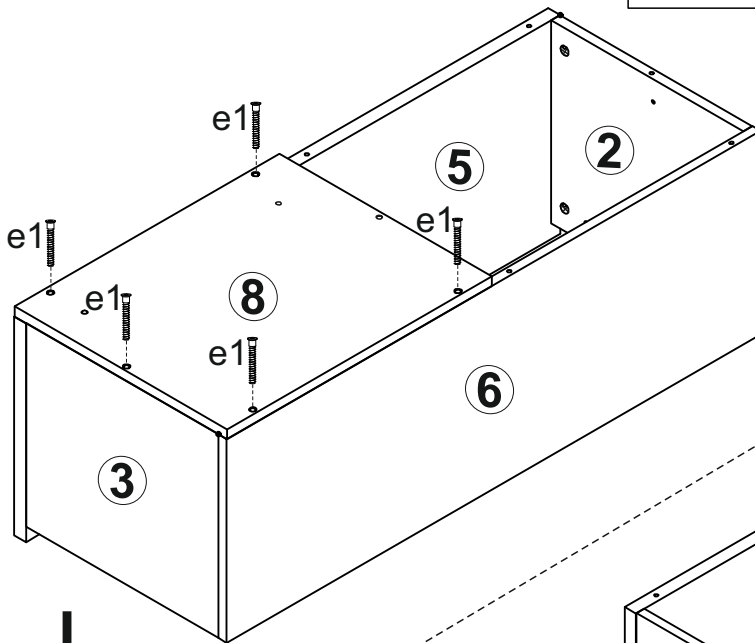
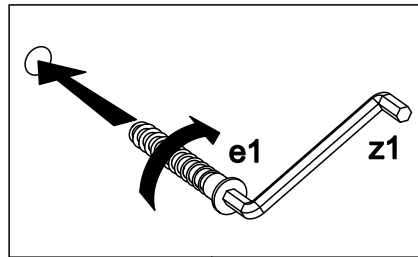
A	B	C	D	
1	AR4-001	499	370	1/2
2	AR4-101	360	330	2/2
3	AR4-102	360	330	2/2
4	AR4-103	360	330	2/2
5	AR4-201	1007	355	2/2
6	AR4-202	1007	330	2/2
7	AR4-301	478	320	2/2
8	AR4-402	503	398	1/2



**2** 

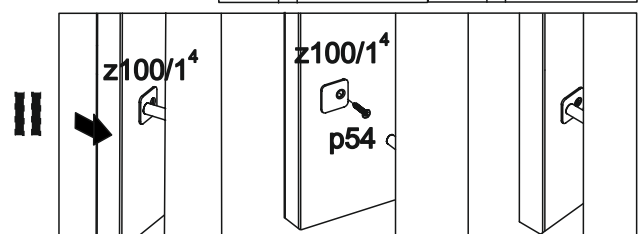
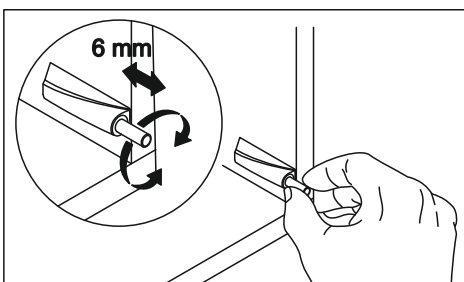
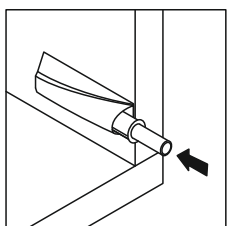
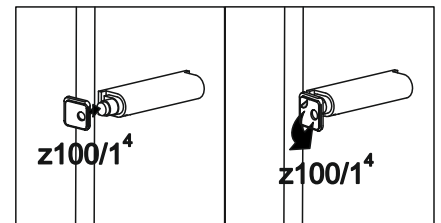
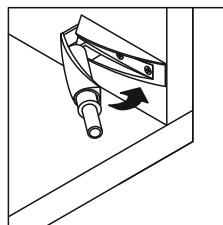
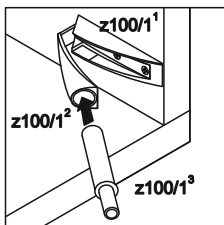
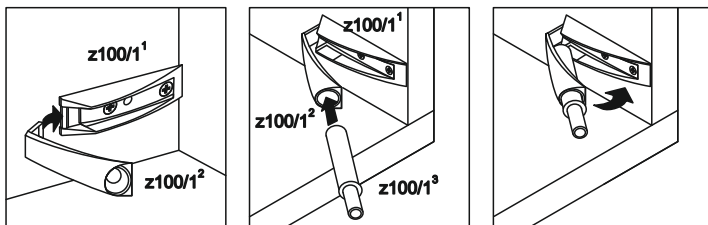
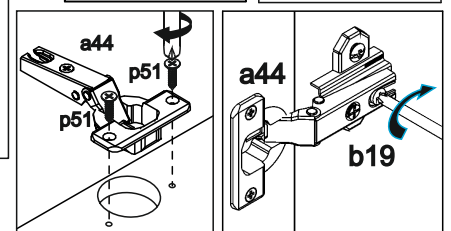
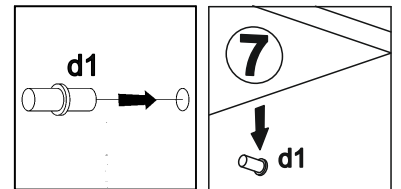
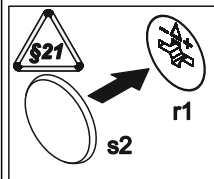
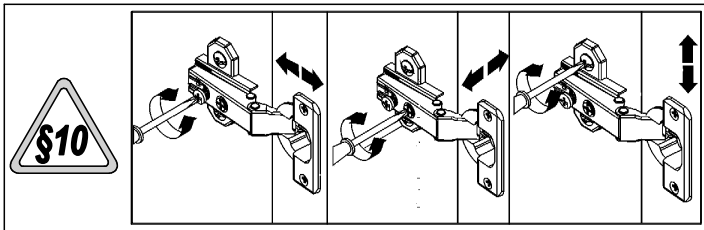
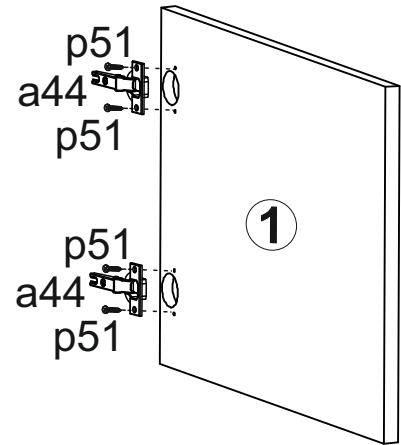
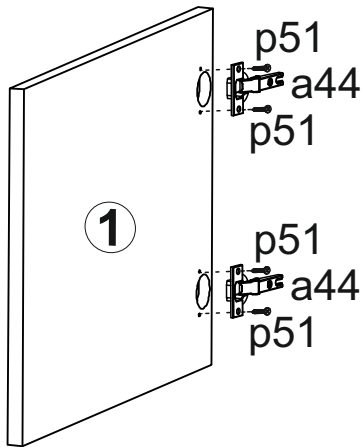
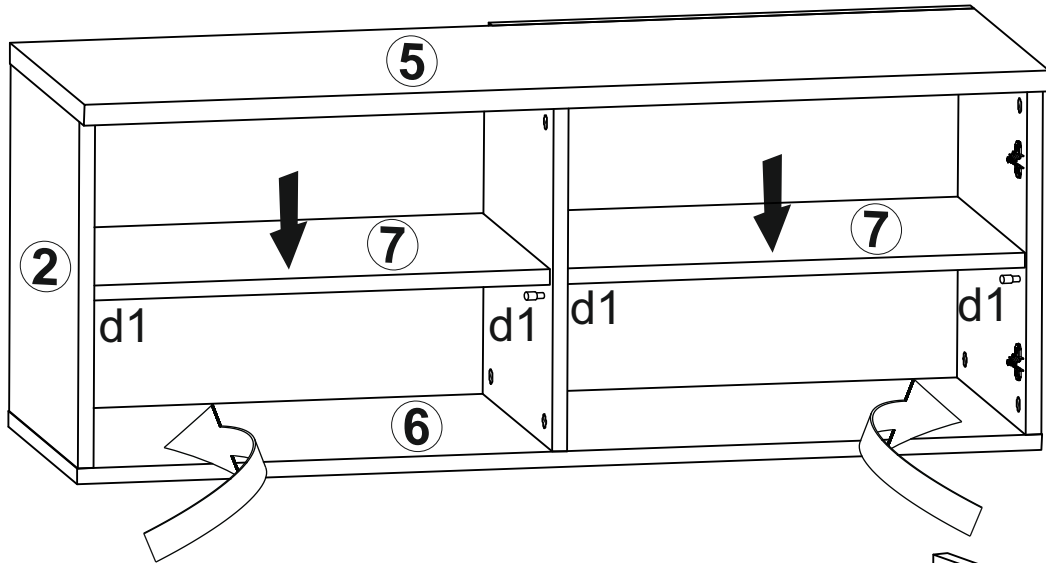


**3**



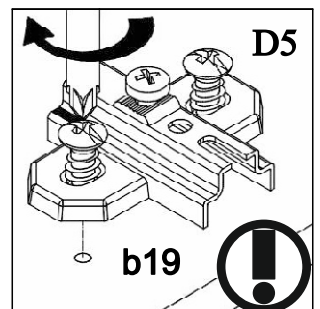
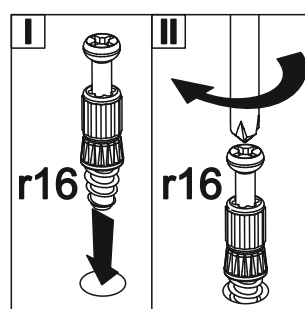
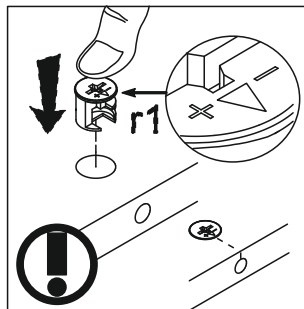
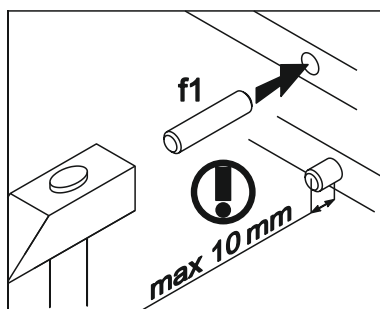
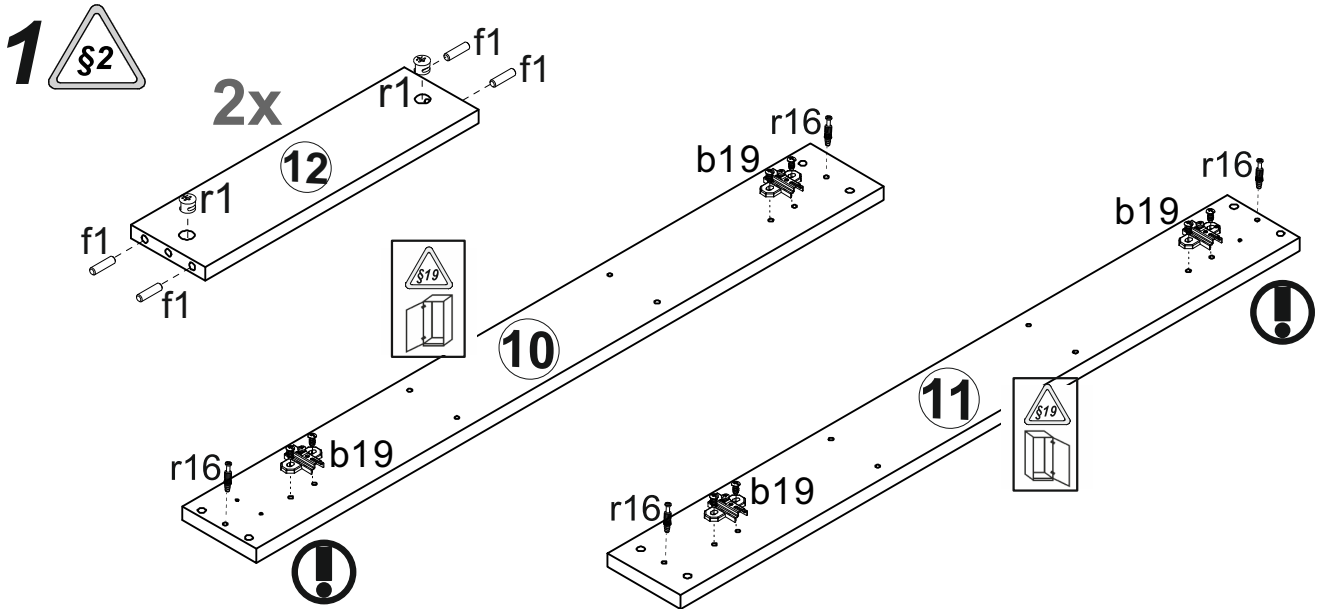
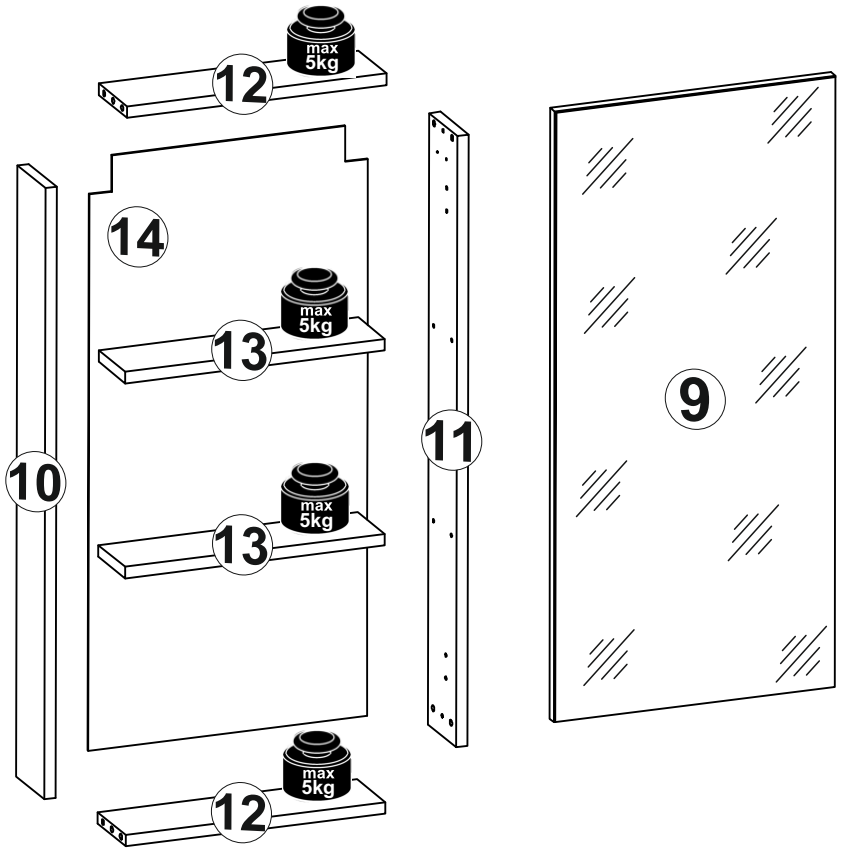
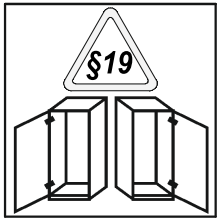
# 4

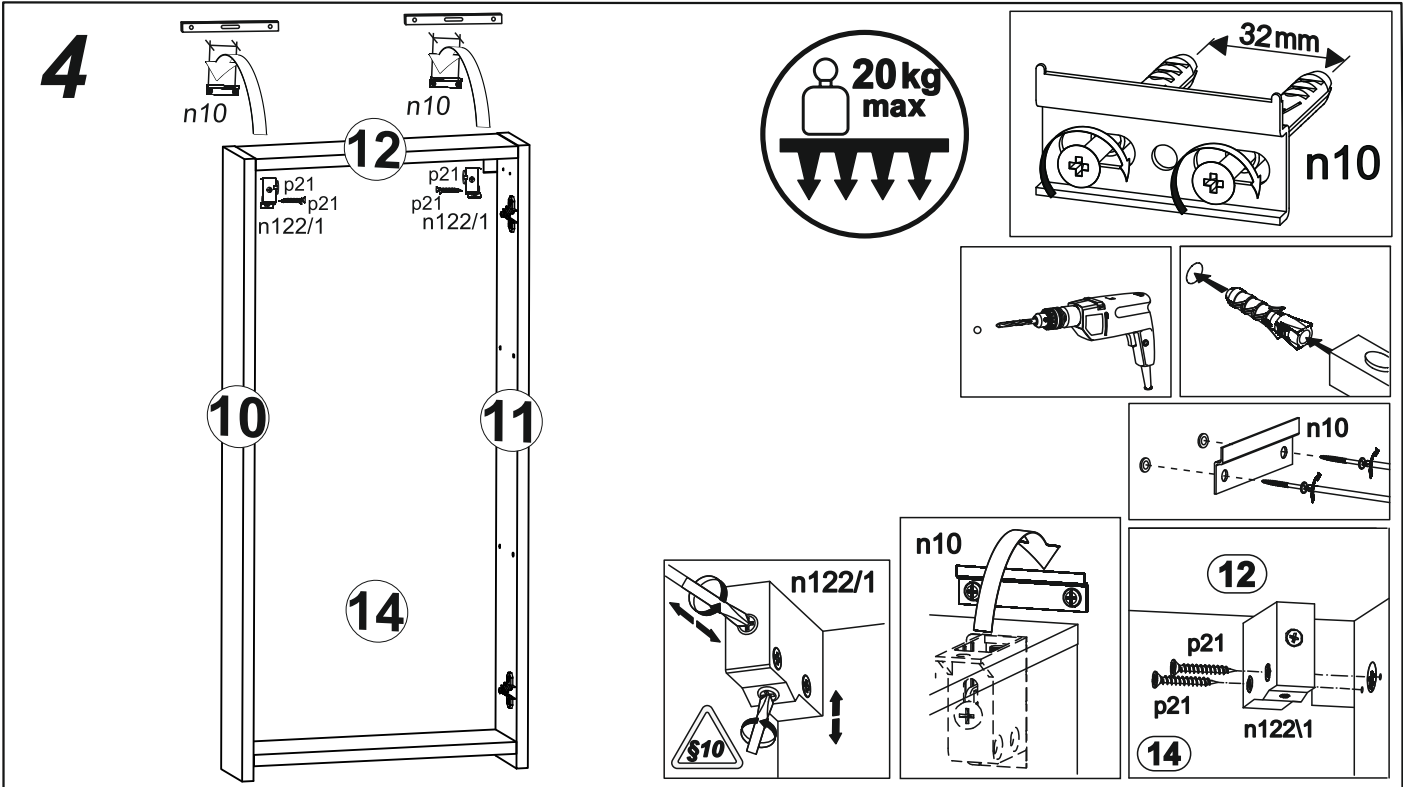
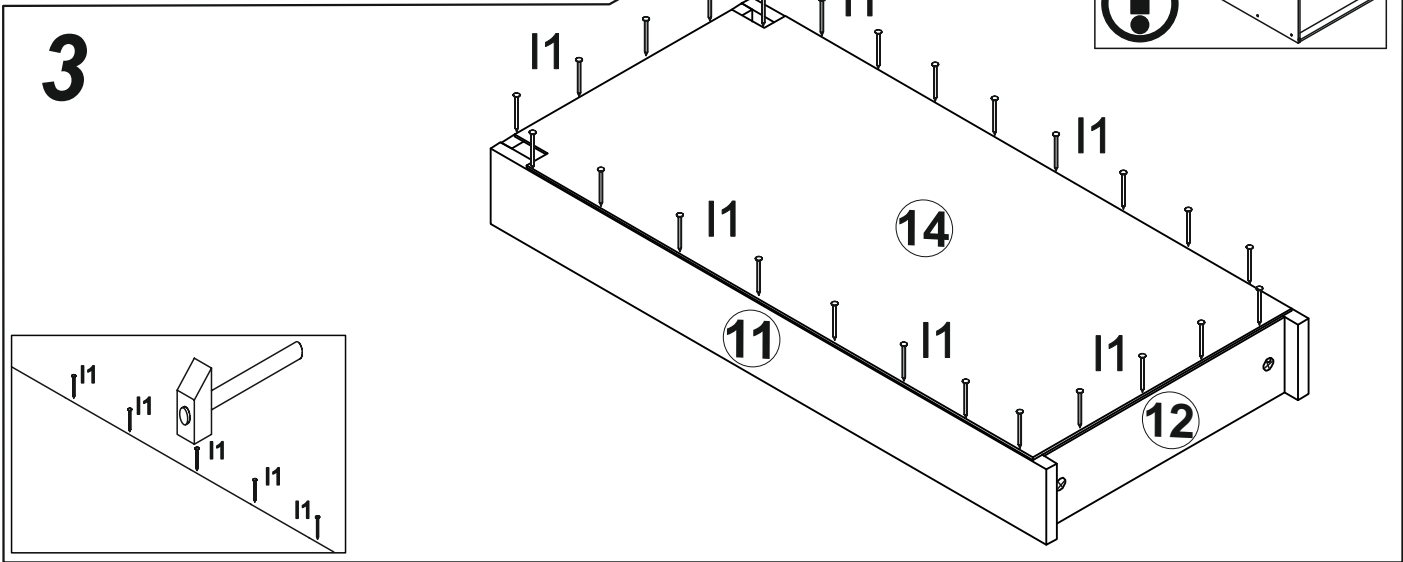
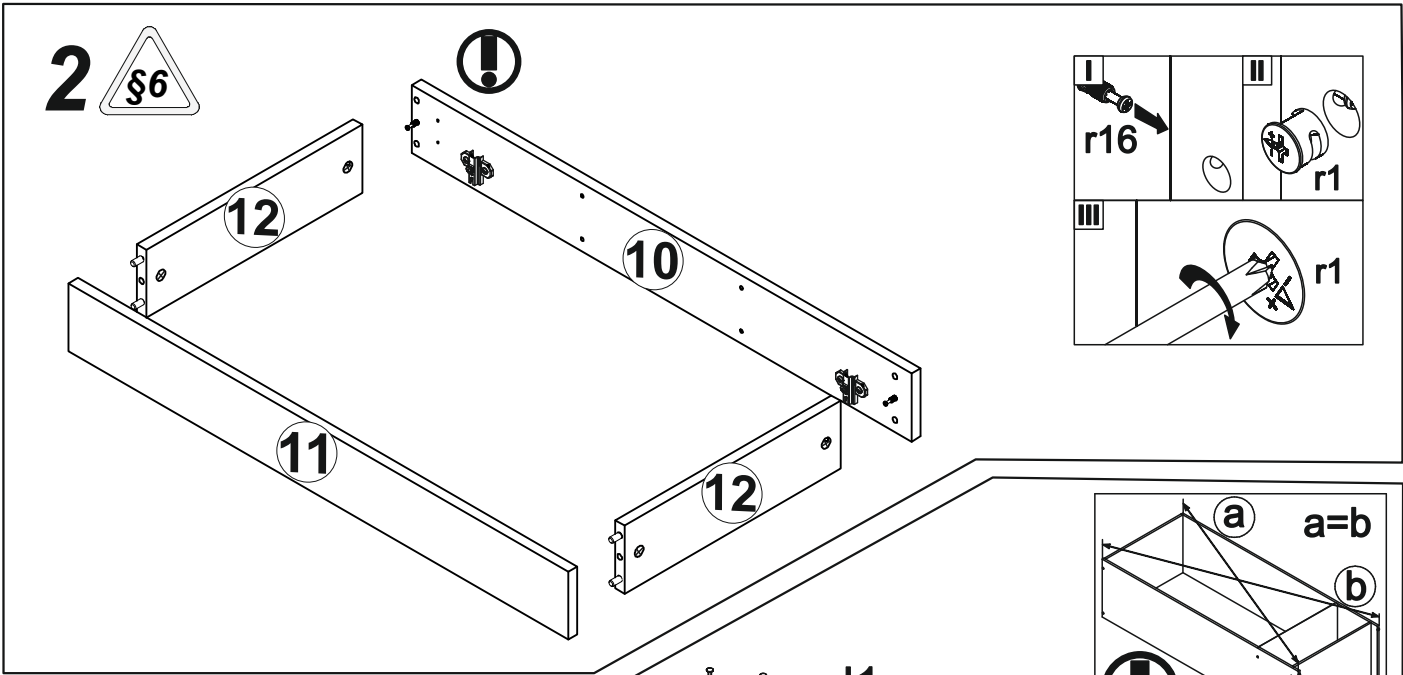
# L



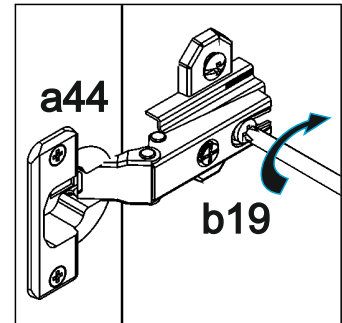
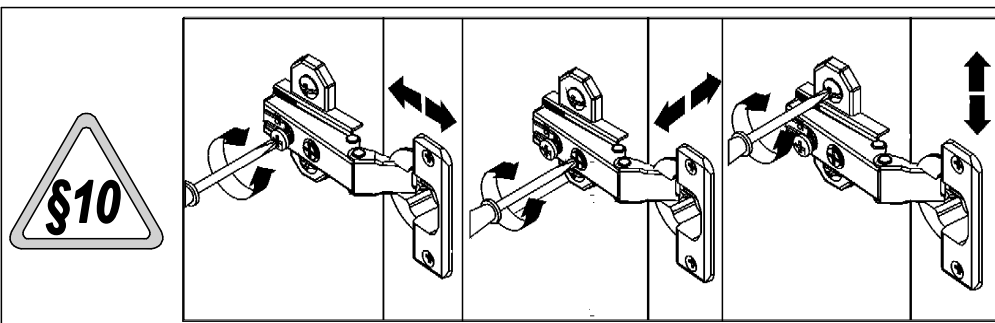
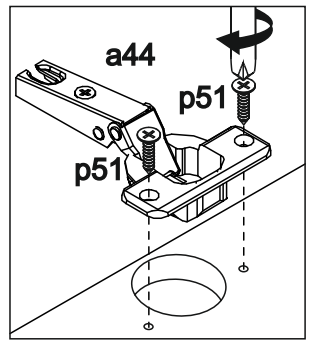
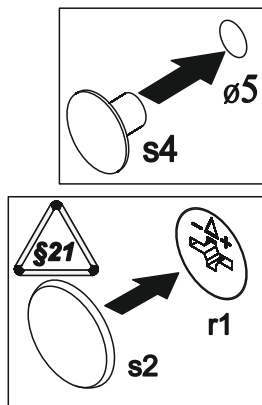
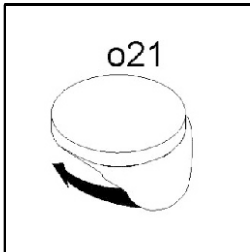
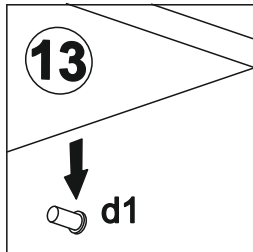
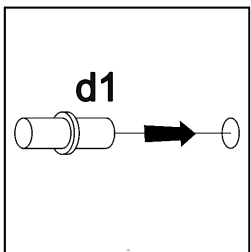
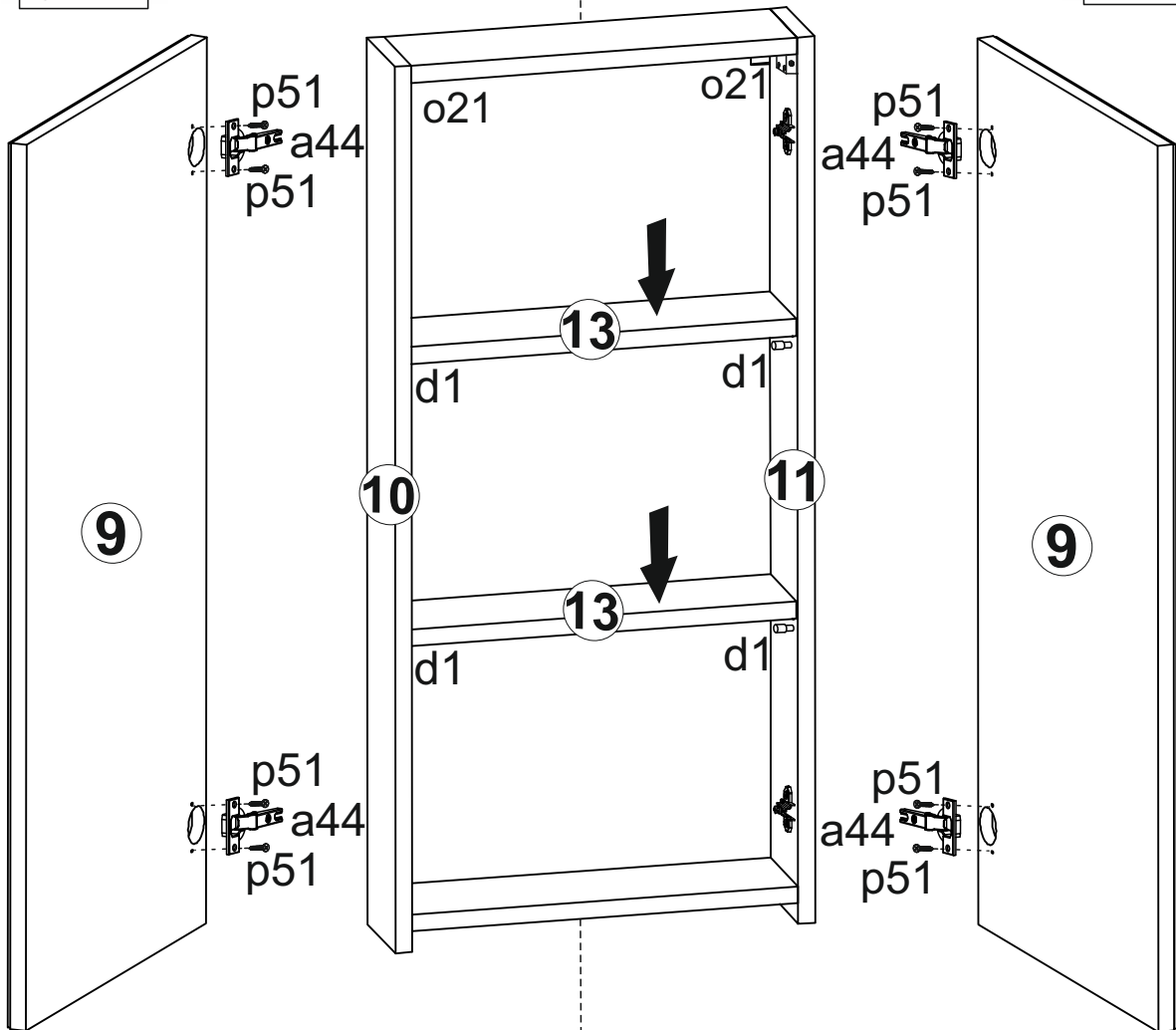
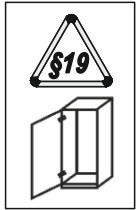
## II

A	B	C		D
9	AR4-002	850	398	1/2
10	AR4-104	850	100	2/2
11	AR4-105	850	100	2/2
12	AR4-302	368	100	2/2
13	AR4-303	368	95	2/2
14	AR4-901	824	395	1/2





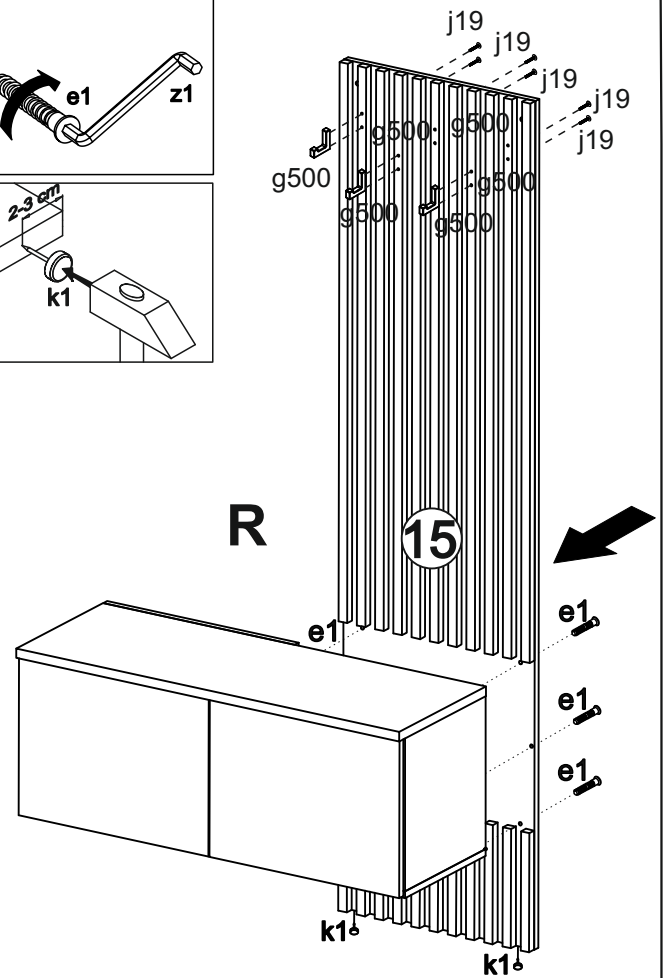
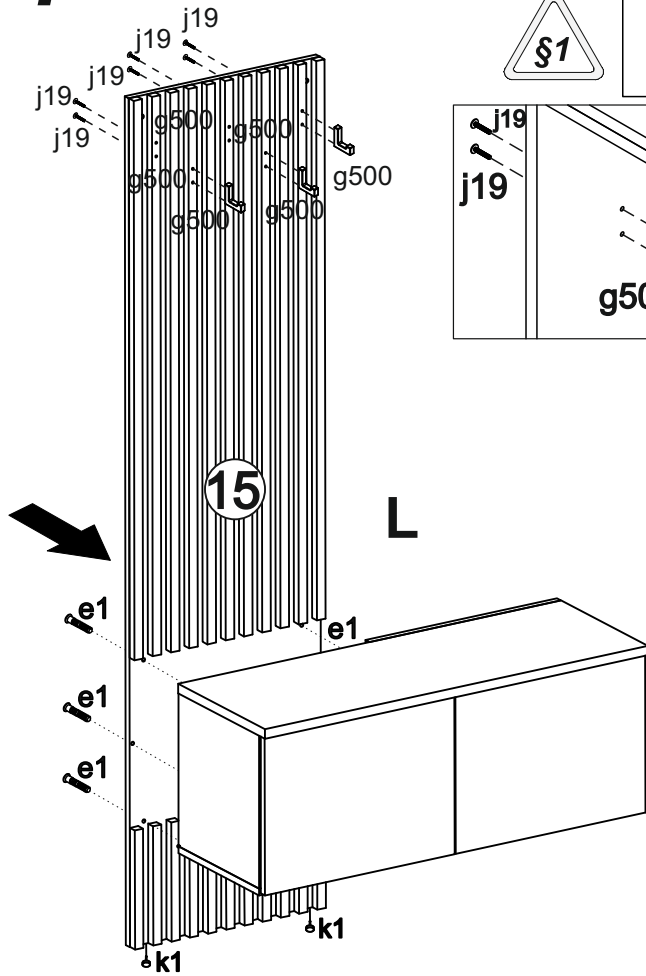
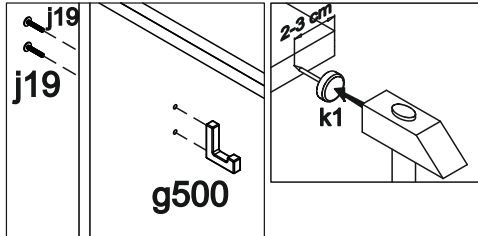
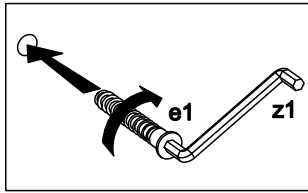
5





1

A	B	C	D
15	AR4-502	1995	503 1/2



2

