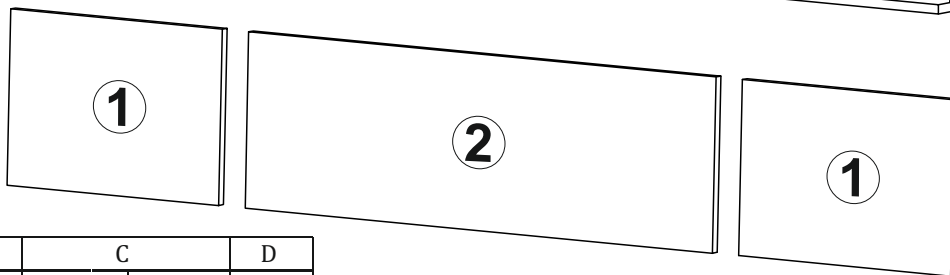
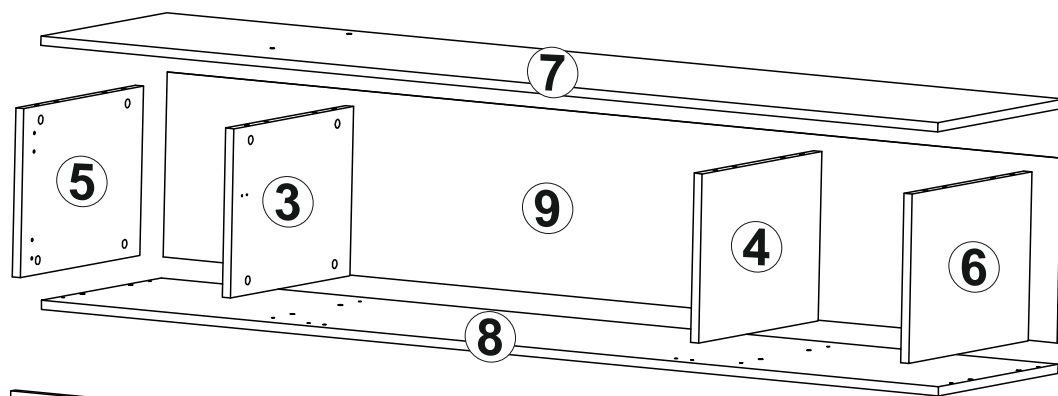


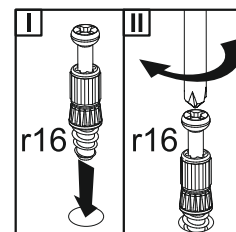
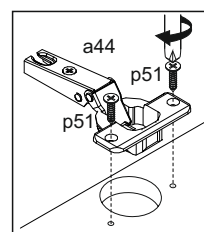
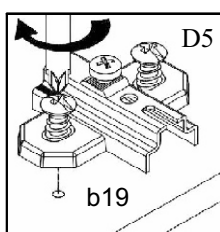
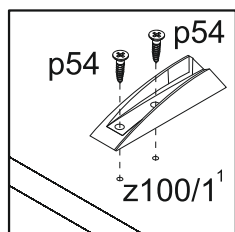
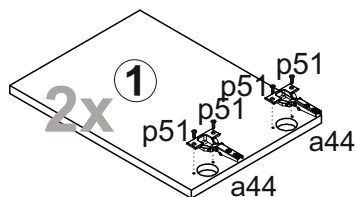
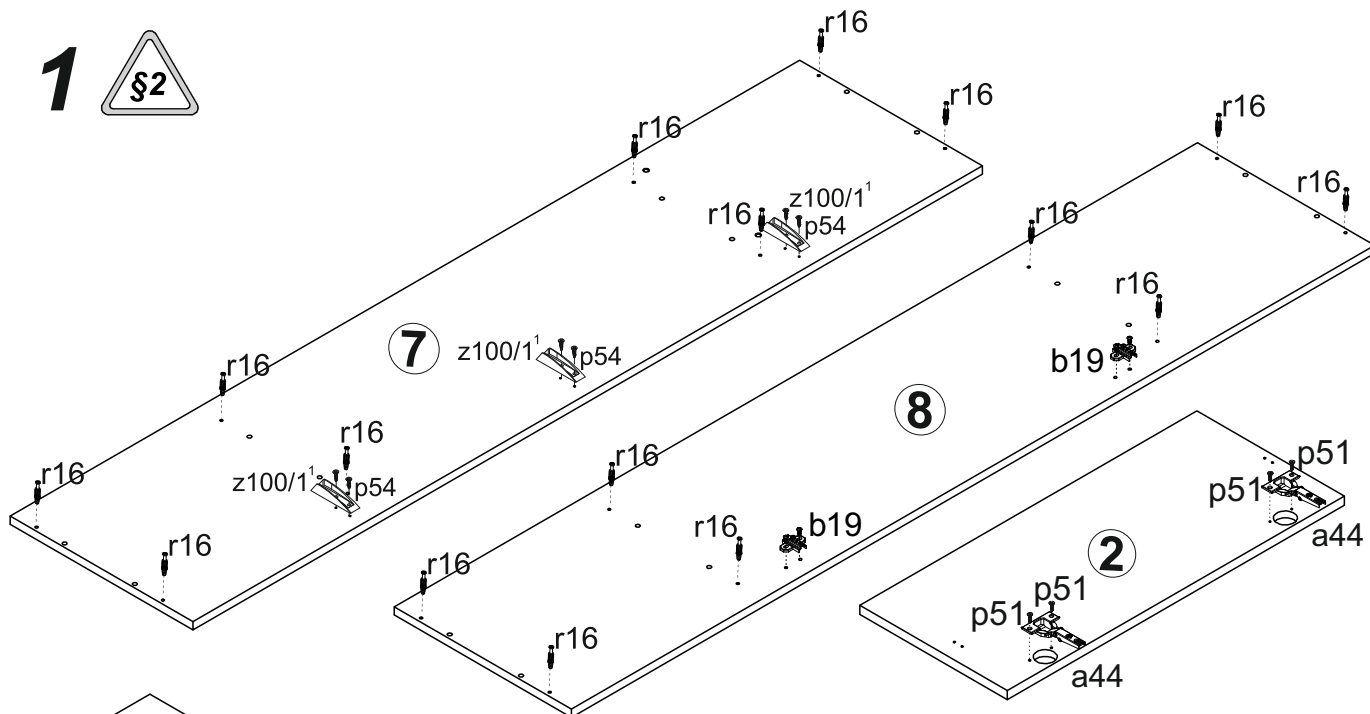
<p>6x k0 a44</p>	<p>6x D5 b19</p>	<p>18x e1 φ7x50 mm</p>	<p>2x k1</p>	<p>12x p51 φ3,5x15 mm</p>	<p>24x s2 φ16</p>
<p>30x f1 φ8x30 mm</p>	<p>35x r1 φ15x12mm #16</p>	<p>35x r16 20/9</p>	<p>12x p140 φ3,5x12 mm</p>	<p>50x l1</p>	<p>10x e32 φ5x50 mm</p>
<p>2x m48 L-230</p>	<p>8x p1 φ3,5x13 mm</p>	<p>12x e3 φ6x13 mm</p>	<p>4x e4 φ5x11 mm</p>	<p>1x z1</p>	<p>2x e26 φ7x35 mm</p>
<p>6x k55 60x60/25 mm</p>	<p>4x w206¹ 300mm</p>	<p>4x w206² 300mm</p>	<p>9x p54 φ3x12 mm</p>	<p>3x z100/1¹</p>	<p>3x z100/1²</p>
<p>12x p6 φ4x35 mm</p>	<p>2x s100 φ20 самоклейка</p>	<p>2x g2</p>	<p>3x z100/1³</p>	<p>3x z100/1⁴</p>	
<p>2x e2 φ6,3x13 mm</p>	<p>! x2</p> <p> x2 x2</p>				

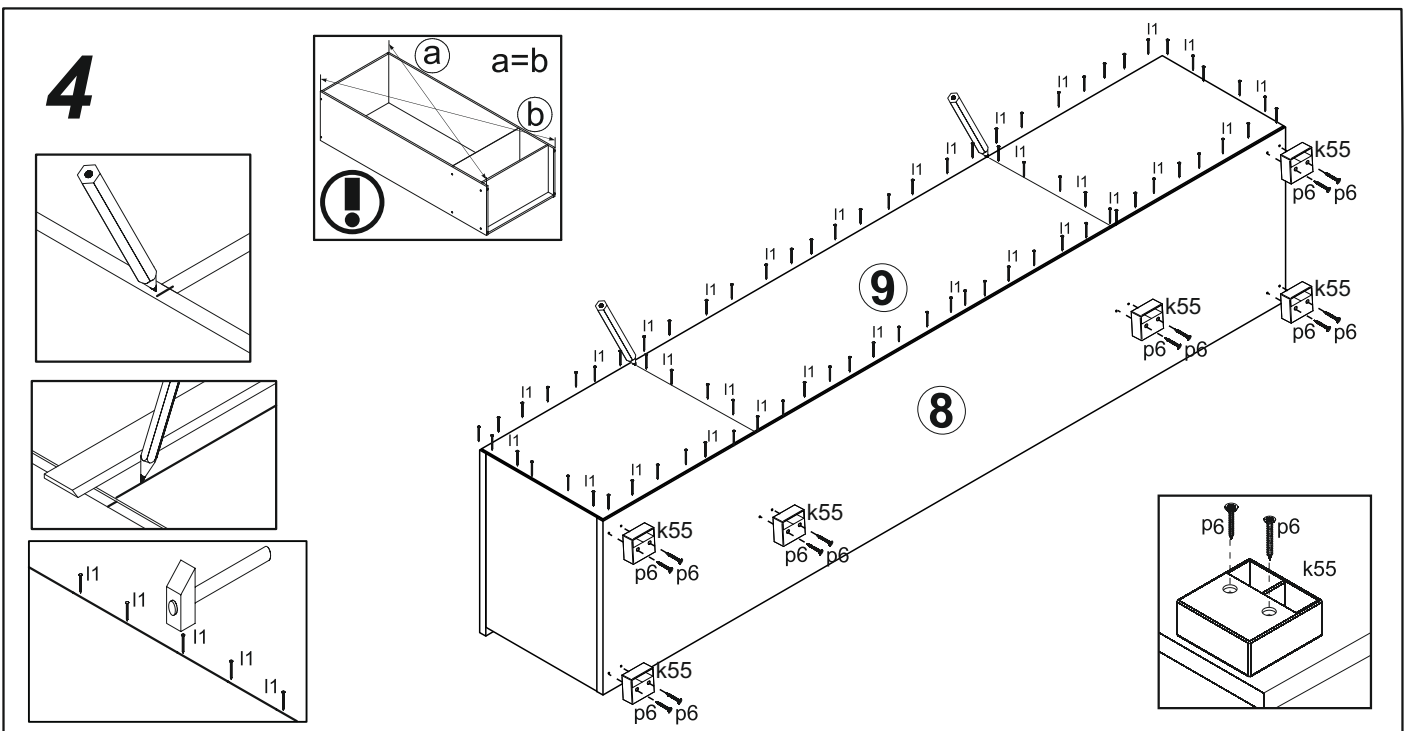
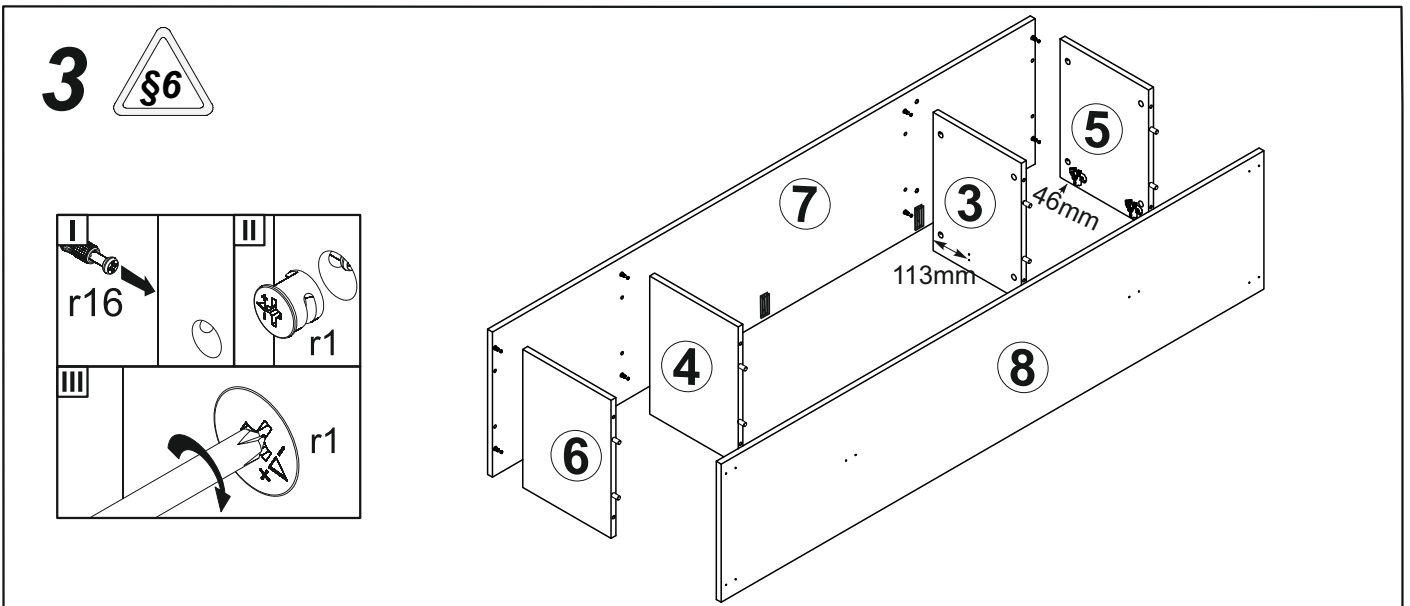
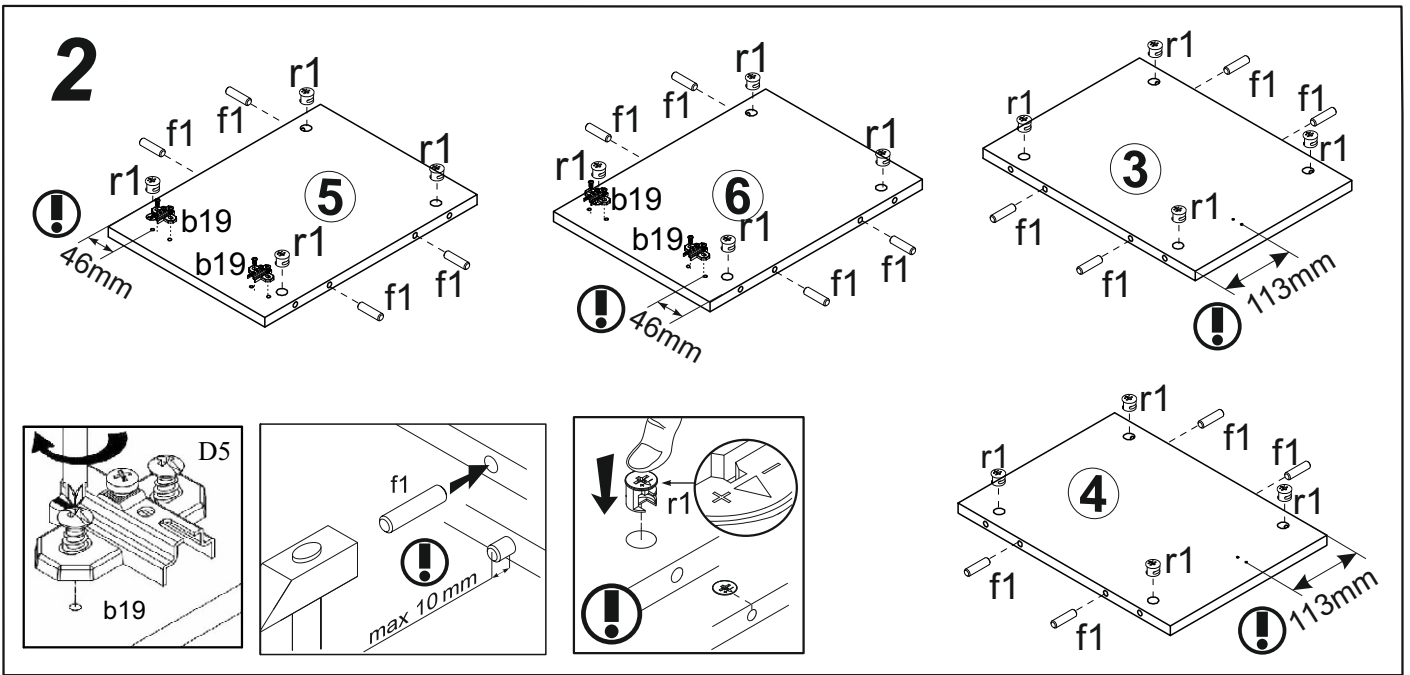
I



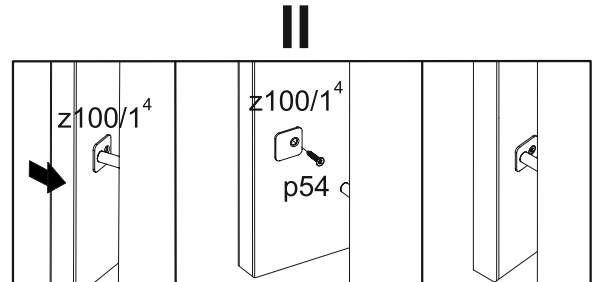
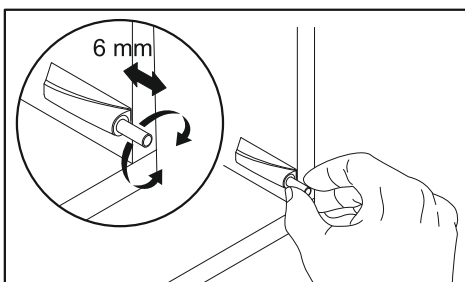
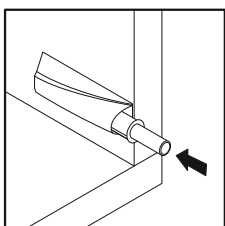
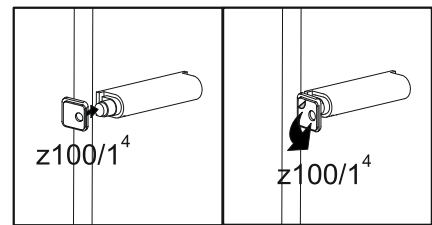
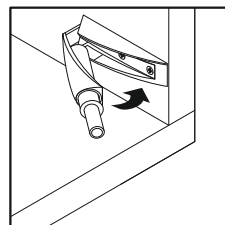
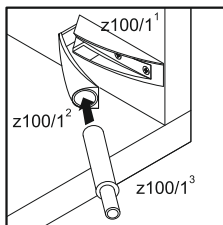
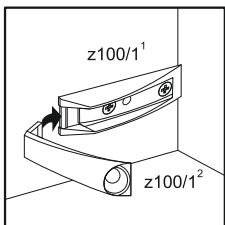
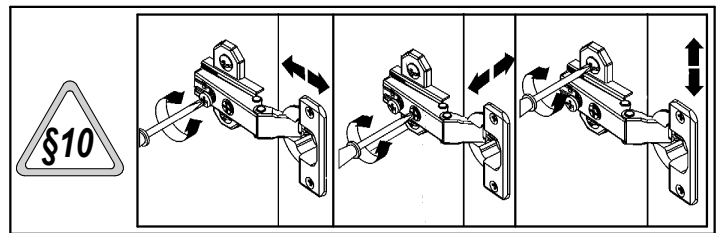
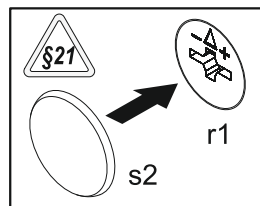
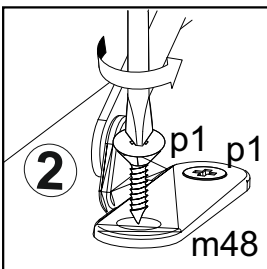
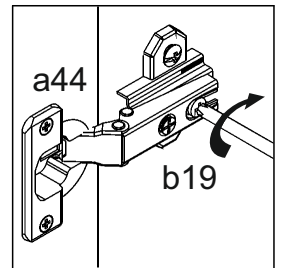
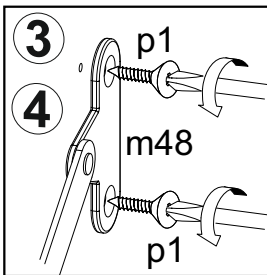
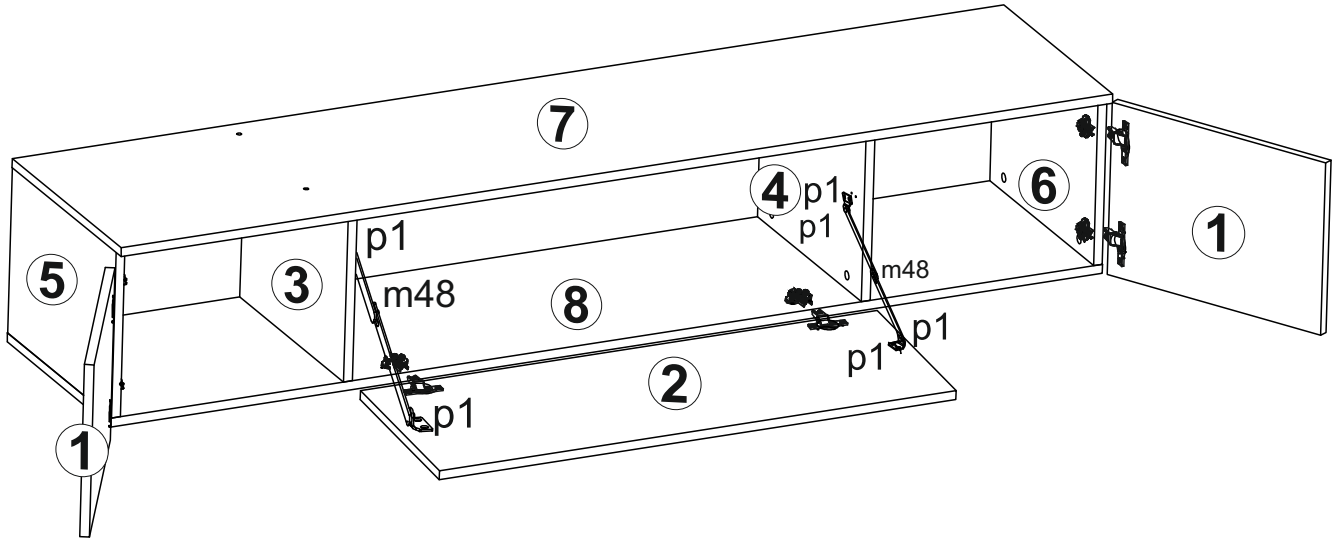
A	B	C	D	
1	RB2-007	425	299	2/3
2	RB2-008	938	299	2/3
3	RB2-111	287	397	2/3
4	RB2-112	287	397	2/3
5	RB2-109	287	397	2/3
6	RB2-110	287	397	2/3
7	RB2-205	1800	422	2/3
8	RB2-204	1800	397	2/3
9	RB2-904	1794	320	2/3

1 §2



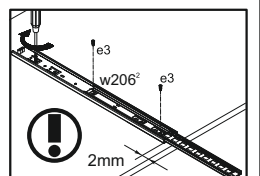
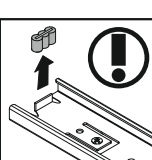
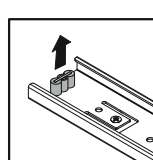
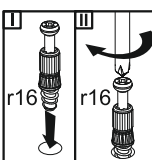
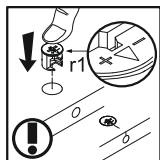
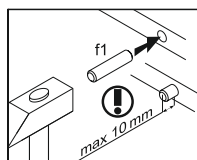
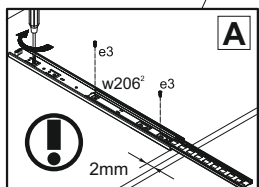
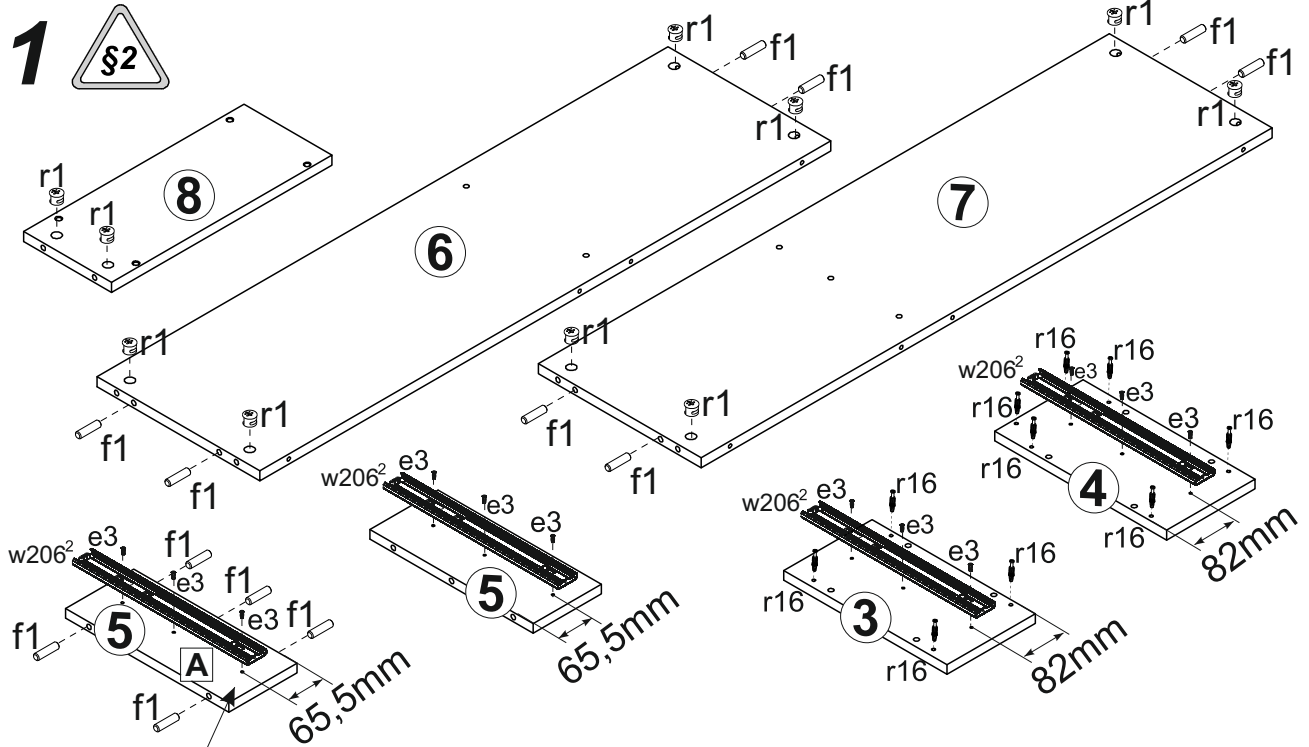
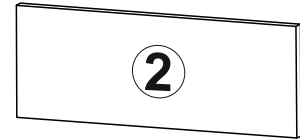
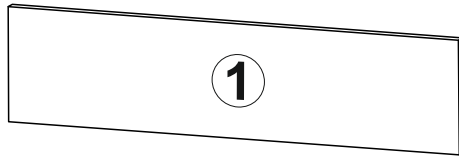
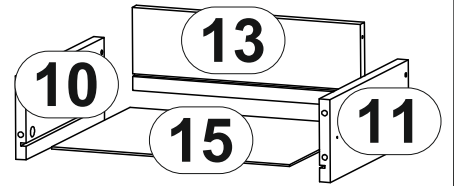
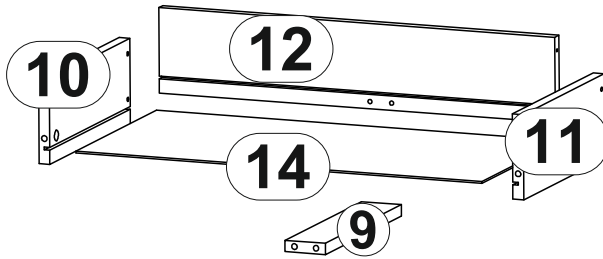
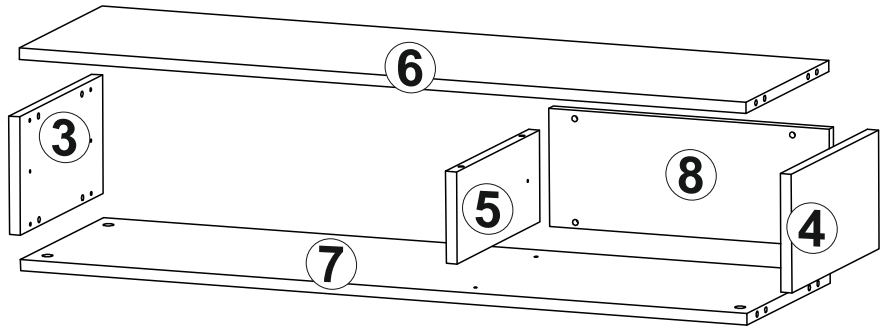


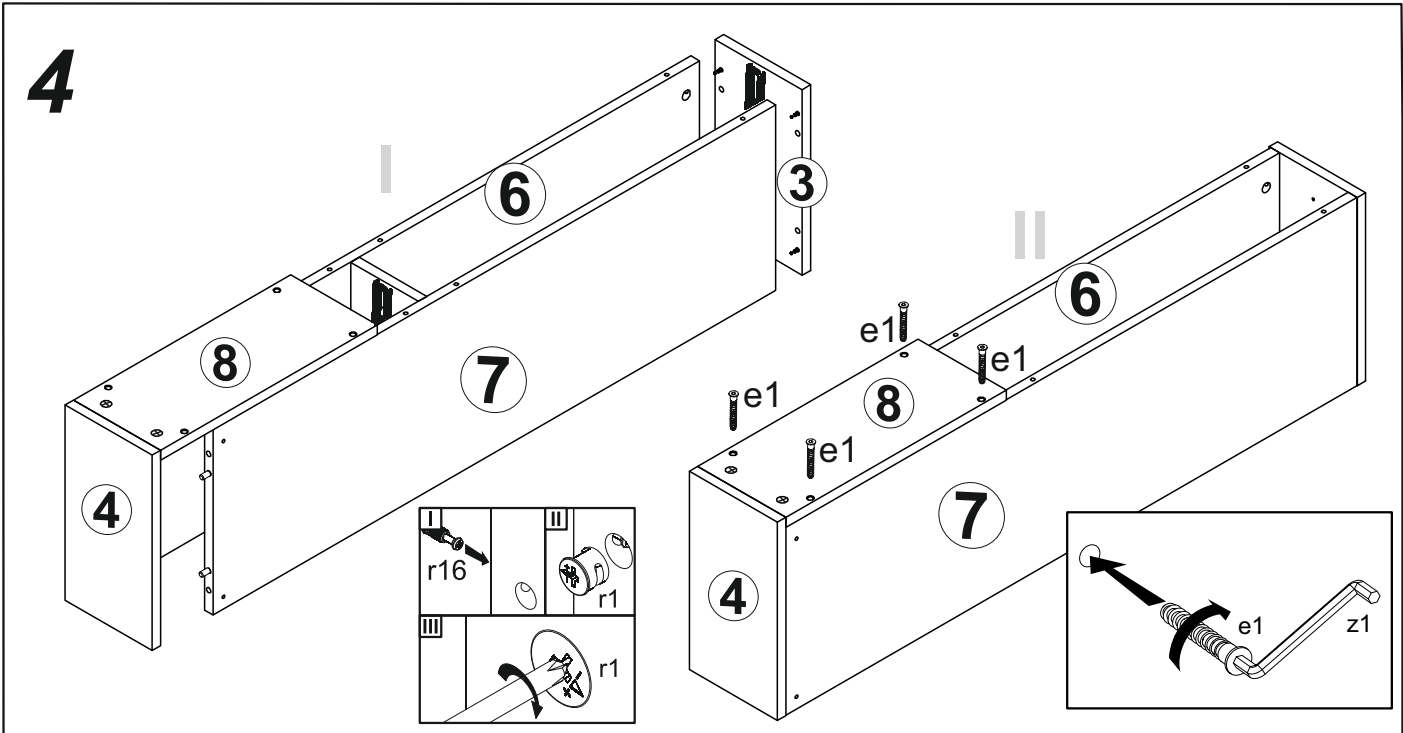
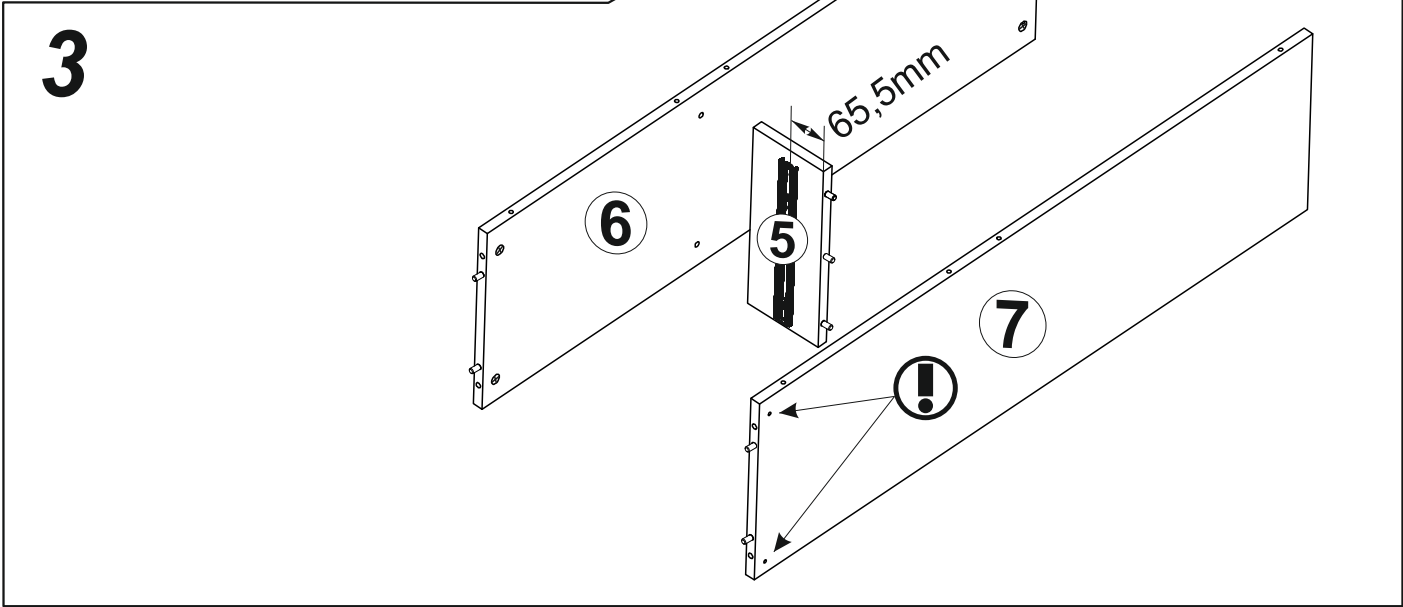
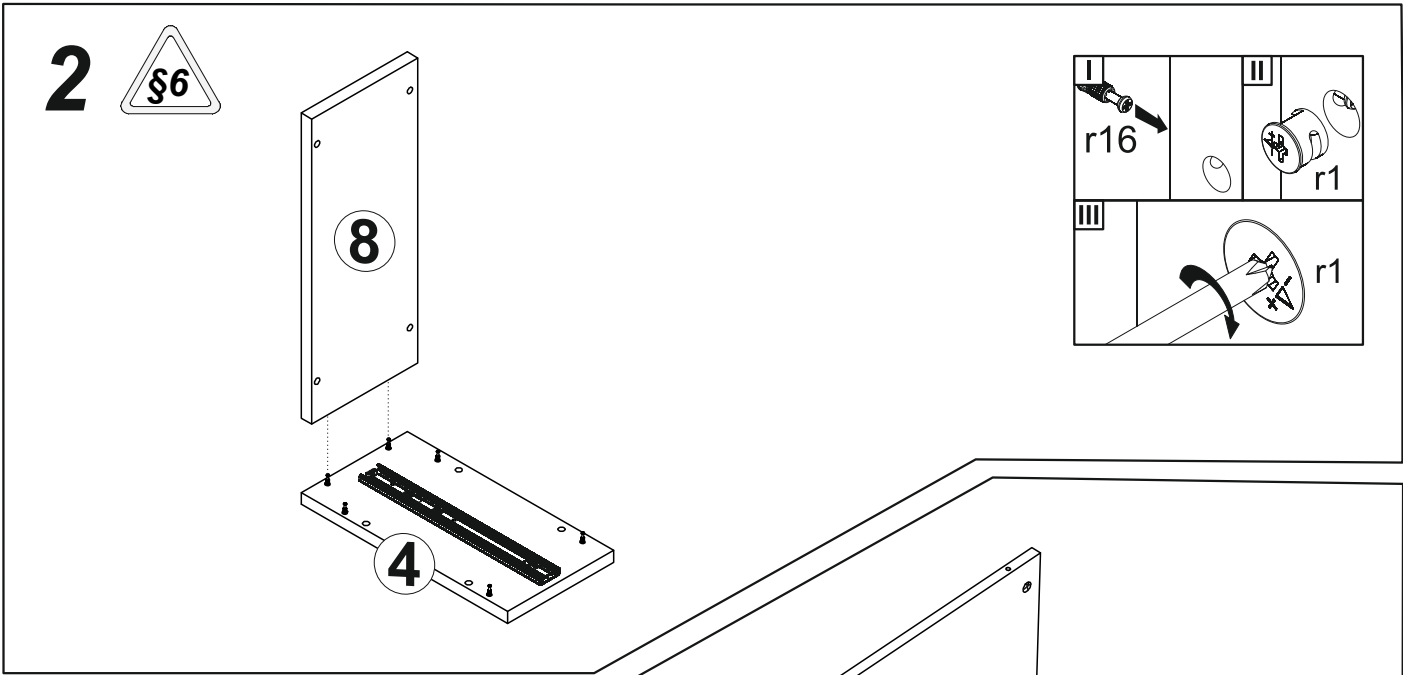
5



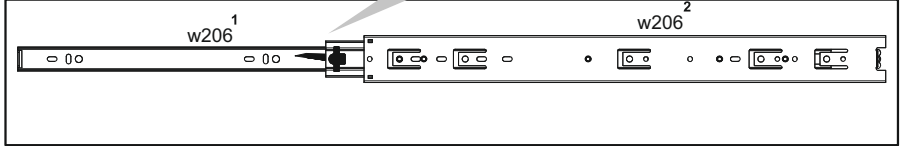
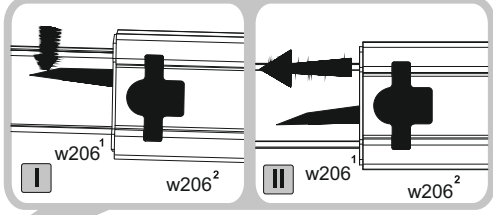
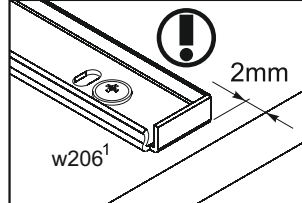
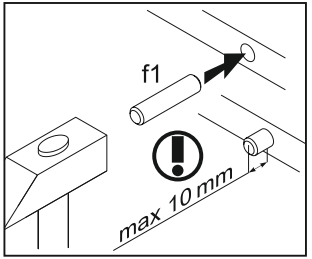
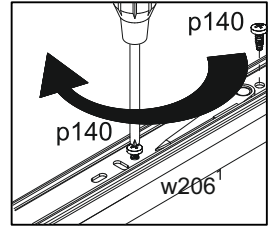
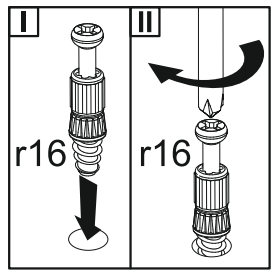
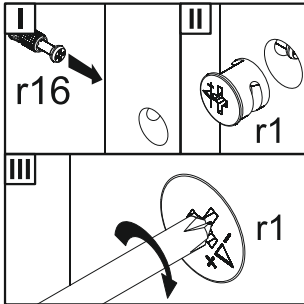
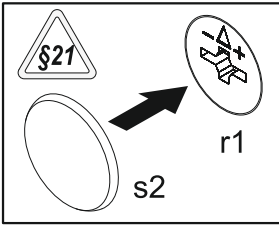
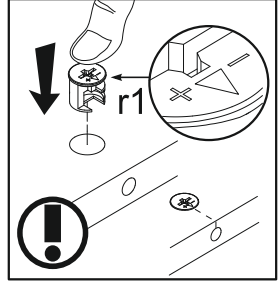
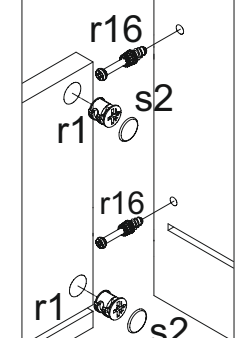
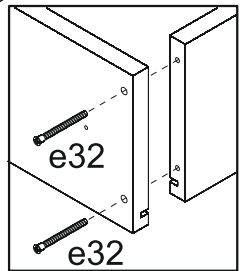
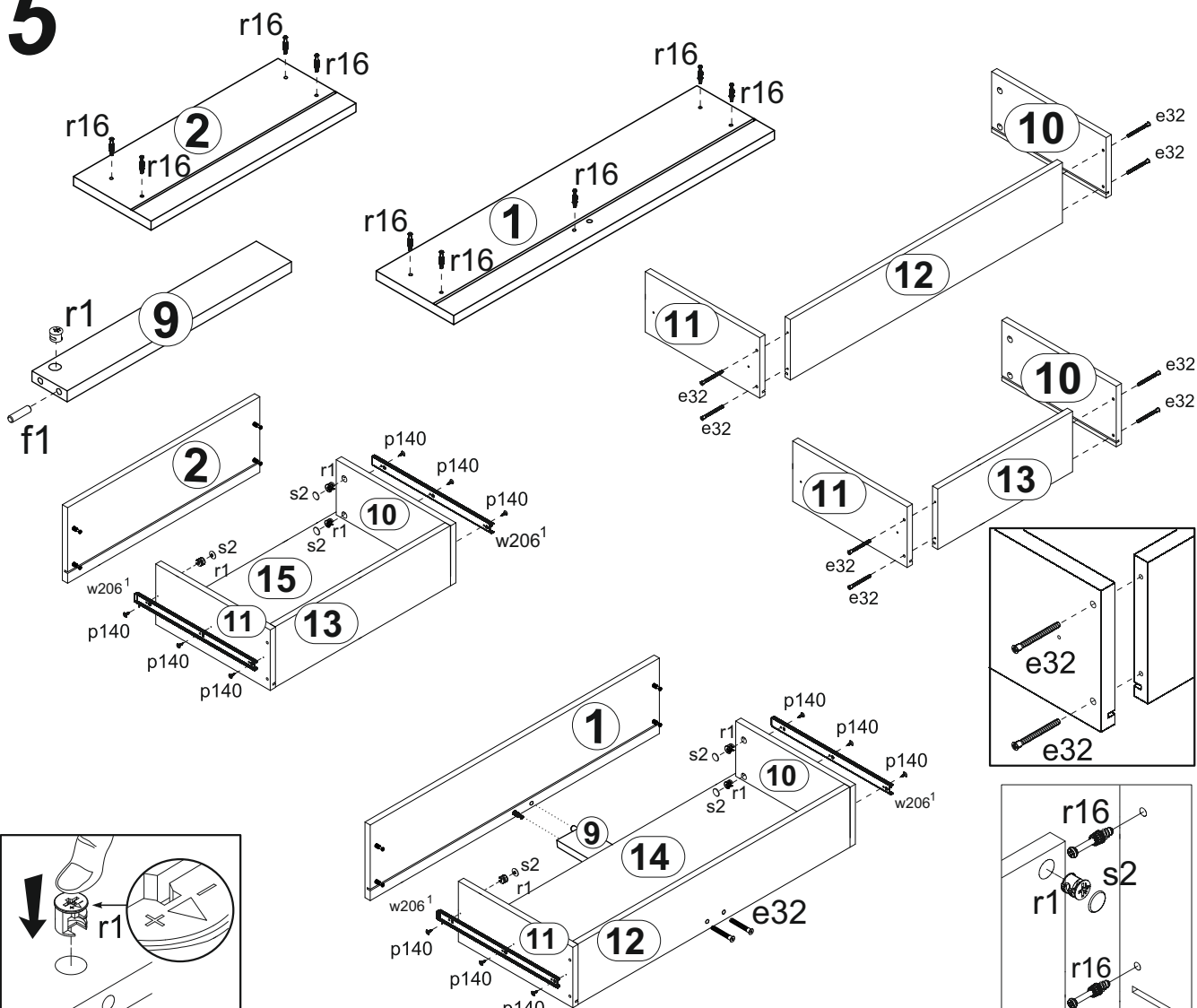
II

A	B	C	D	
1	RB2-001	669	161	3/3
2	RB2-002	427	161	3/3
3	RB2-101	305	165	3/3
4	RB2-102	321	165	3/3
5	RB2-103	305	128	3/3
6	RB2-301	1068	305	3/3
7	RB2-302	1068	305	3/3
8	RB2-401	412	165	3/3
9	RB2-402	283	60	3/3
10	RB2-551	300	120	3/3
11	RB2-552	300	120	3/3
12	RB2-553	588	120	3/3
13	RB2-554	348	120	3/3
14	RB2-901	299	603	3/3
15	RB2-902	299	363	3/3





5

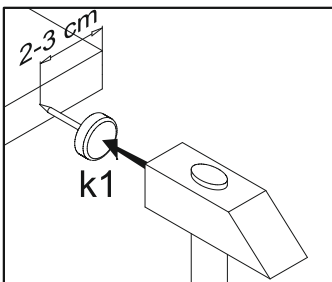
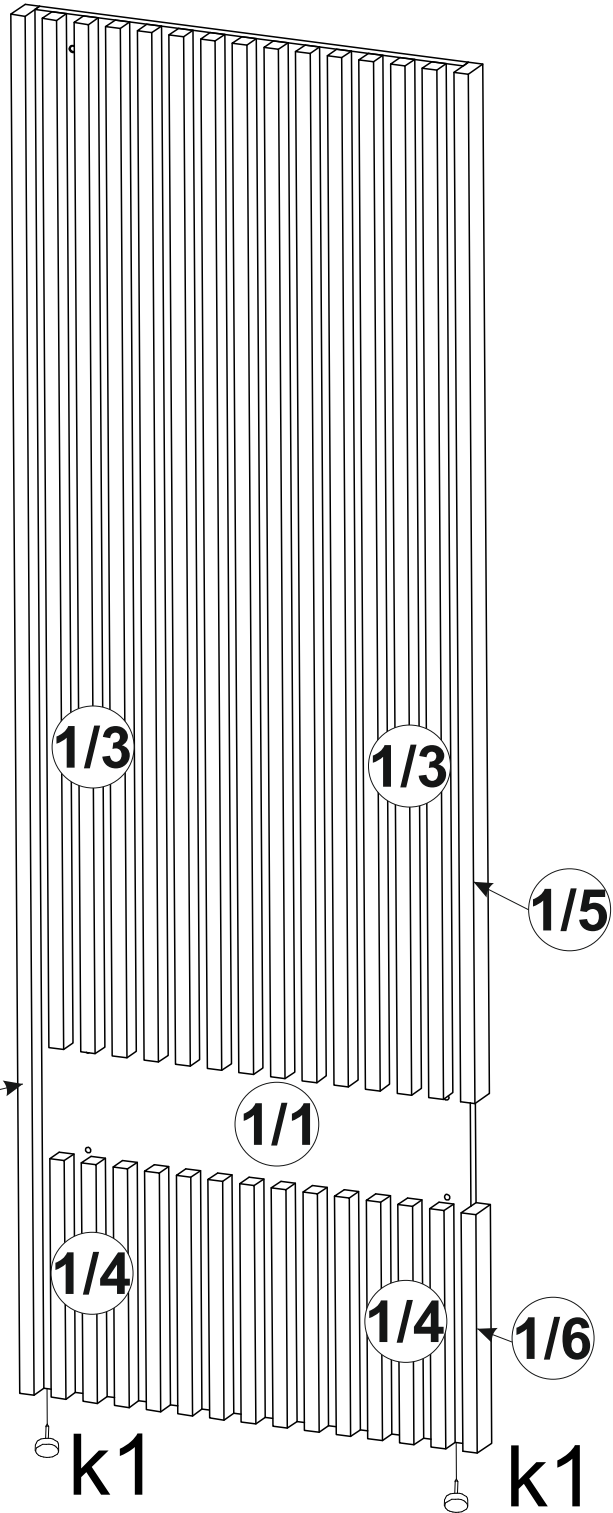


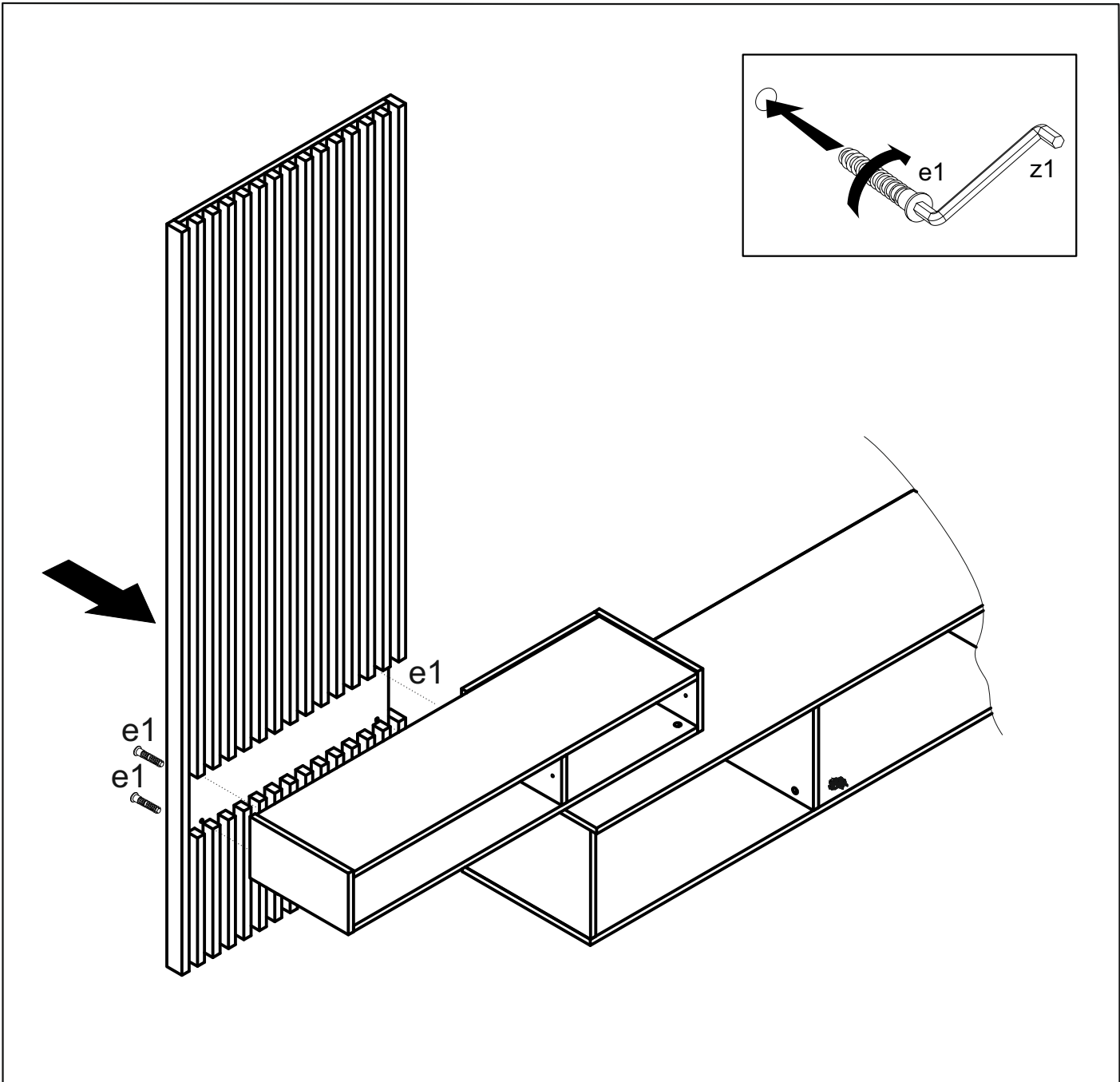
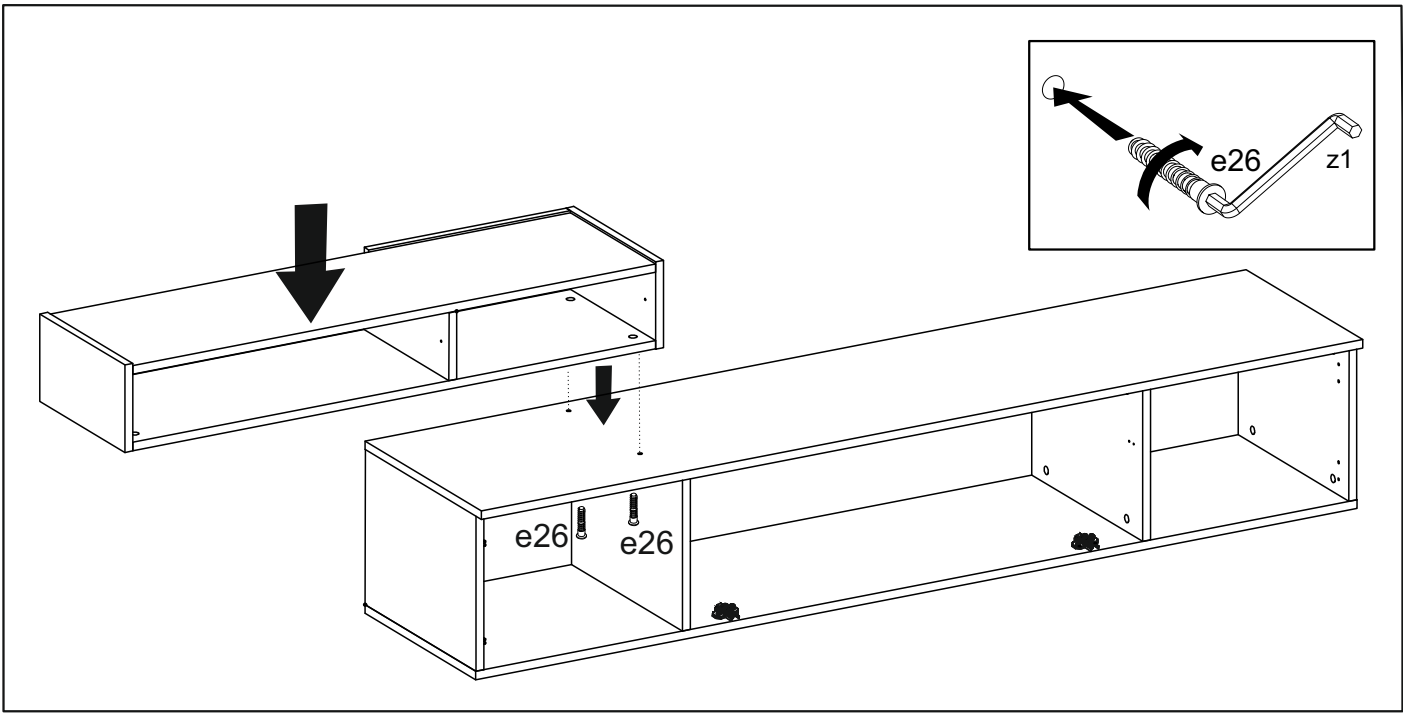


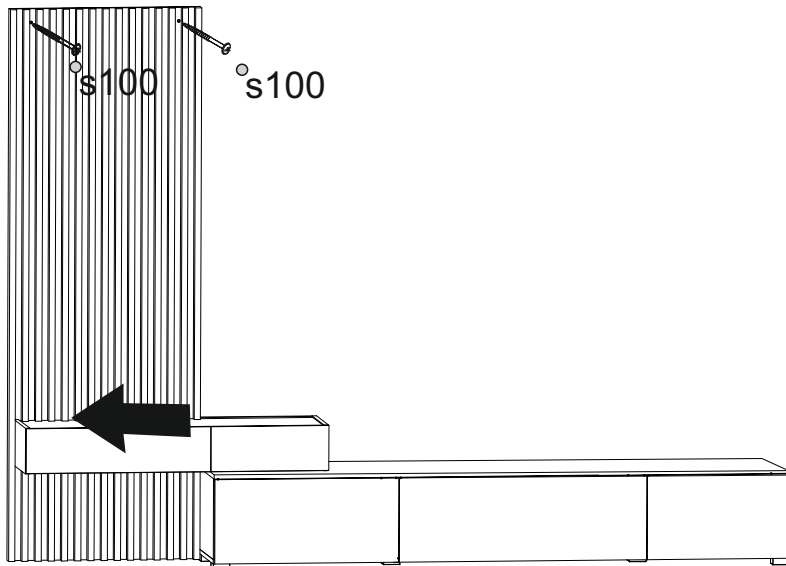
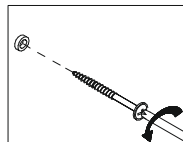
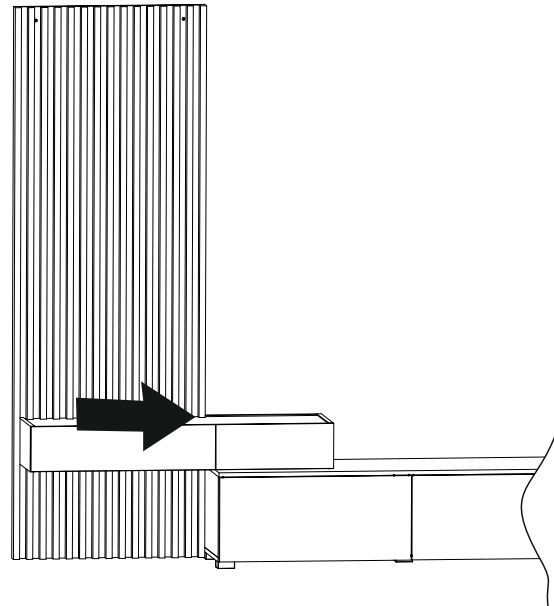
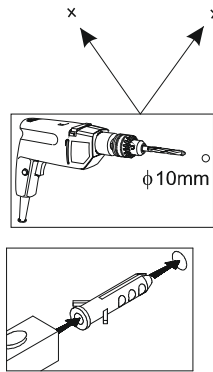
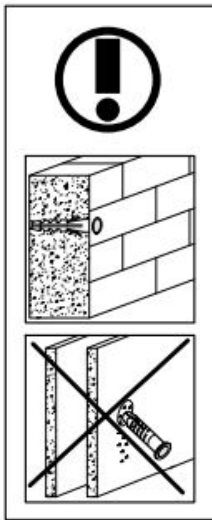
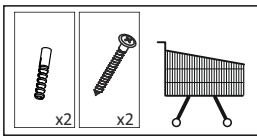
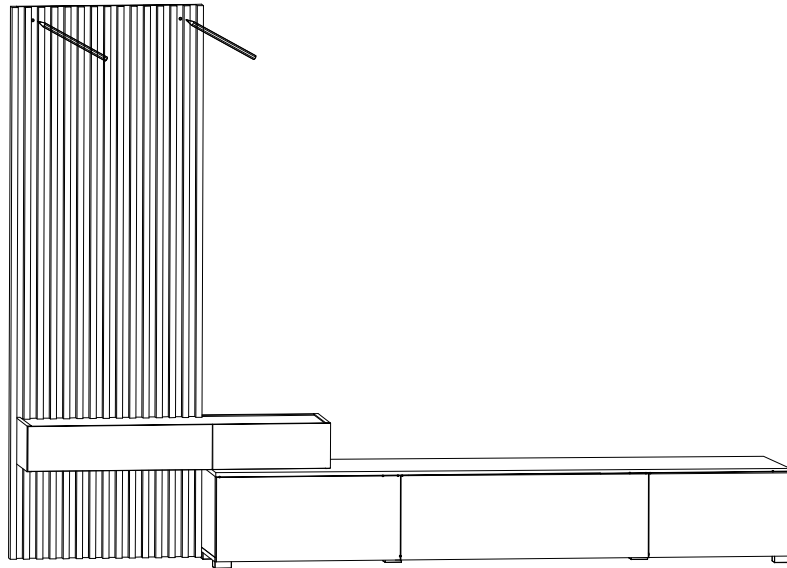
A	B	C		D
1	RB2- 501	1995	694	1/3



1/1	RB2- 403	1995	650	1/3
1/2	RB2- 404	1995	47	1/3
1/3	RB2- 405	1488	31	1/3
1/4	RB2- 406	345	31	1/3
1/5	RB2- 407	1488	47	1/3
1/6	RB2- 408	345	47	1/3

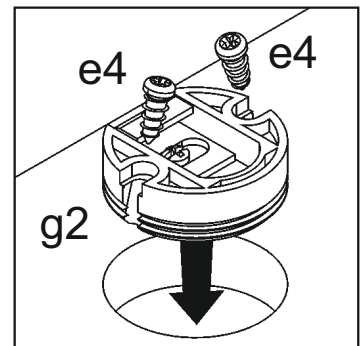
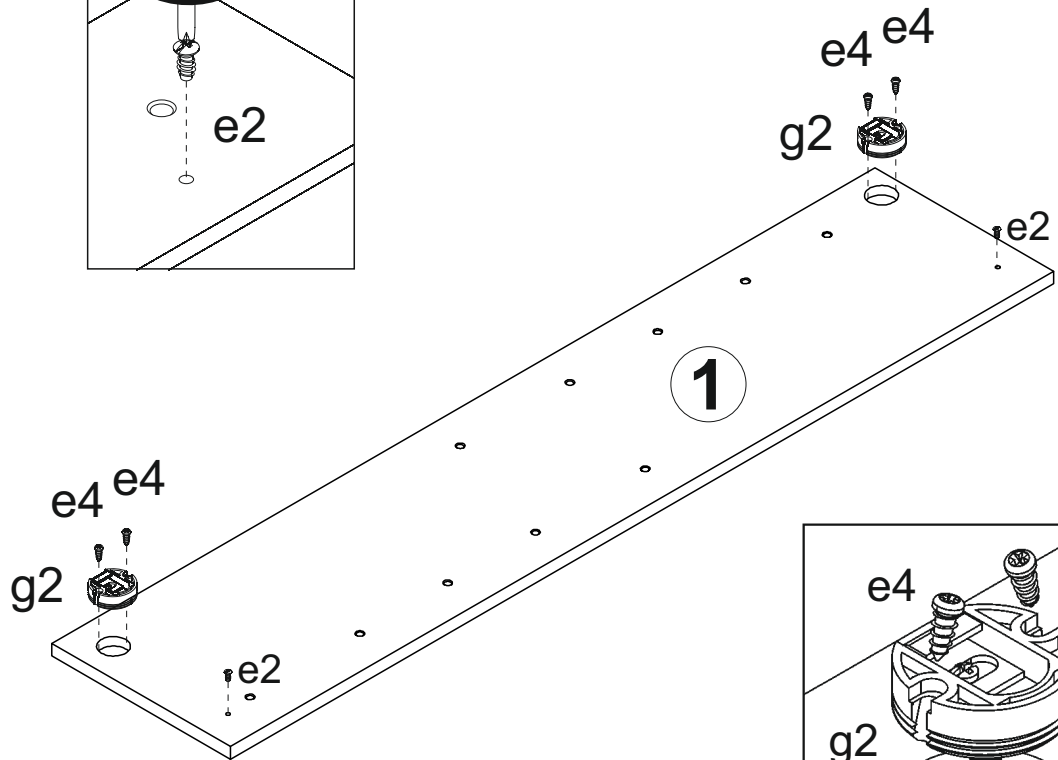
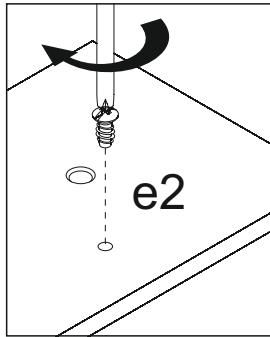
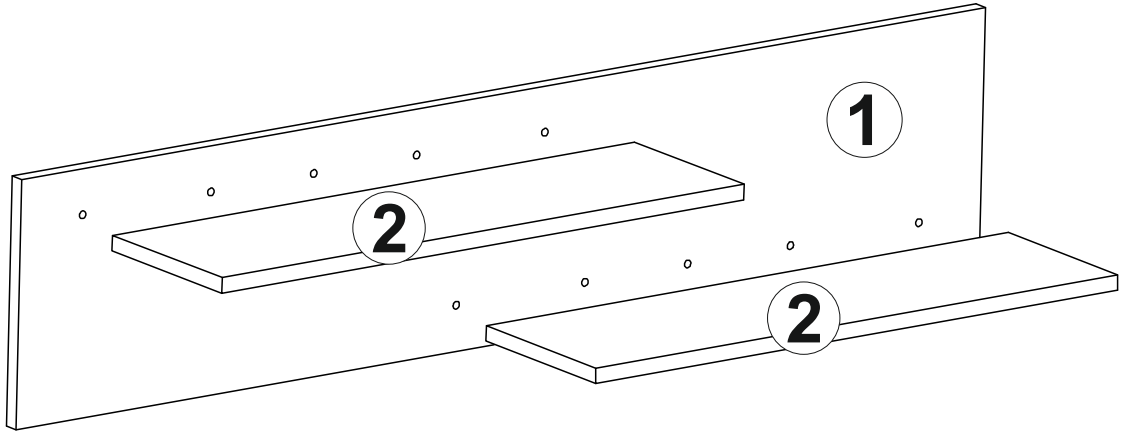






IV

A	B	C		D
1	RB2 -410	1400	260	2/3
2	RB2 -304	750	184	3/3



2

