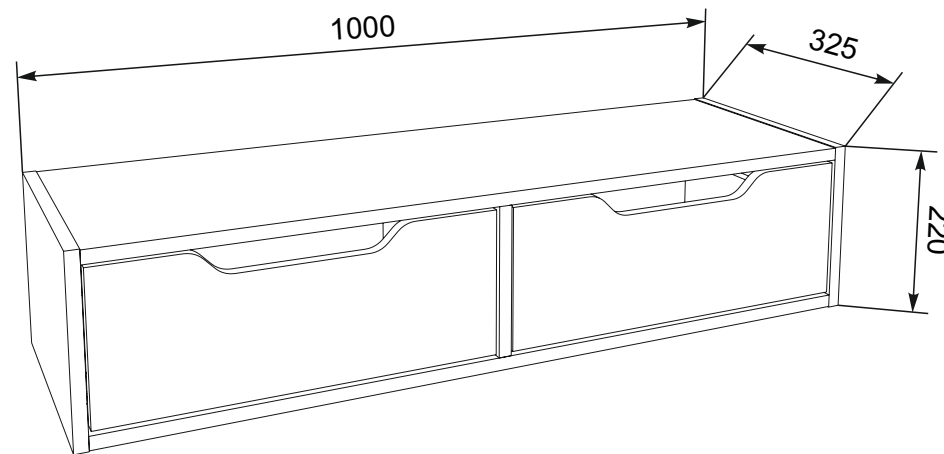


(ENG) Console mirror



28x ø 3.5x16 mm E3		2x a 300 mm b M1	
---------------------------------	--	-------------------------------------	--

8x ø 8x30 A1		2x S4	
---------------------------	--	-----------------	--

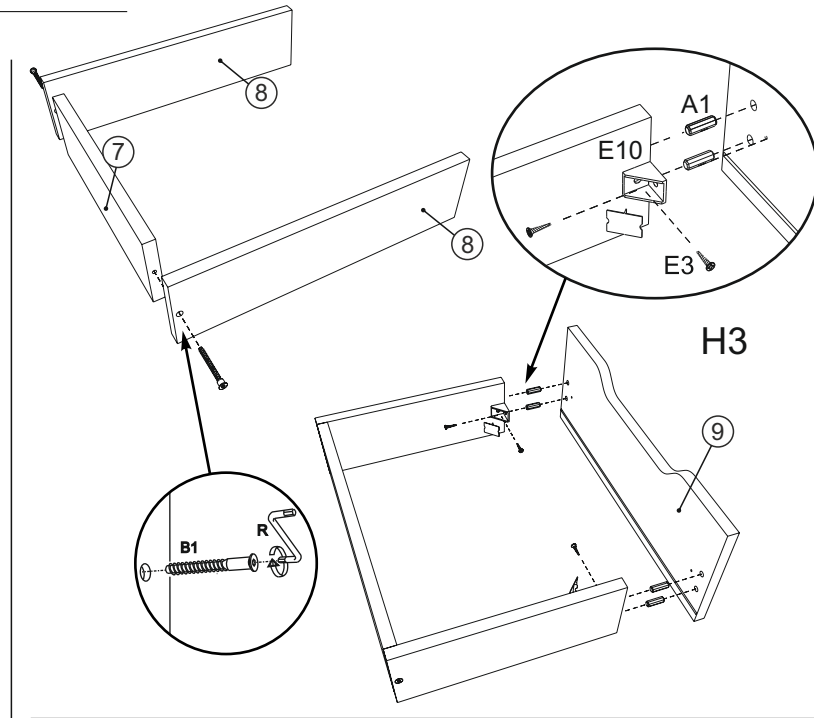
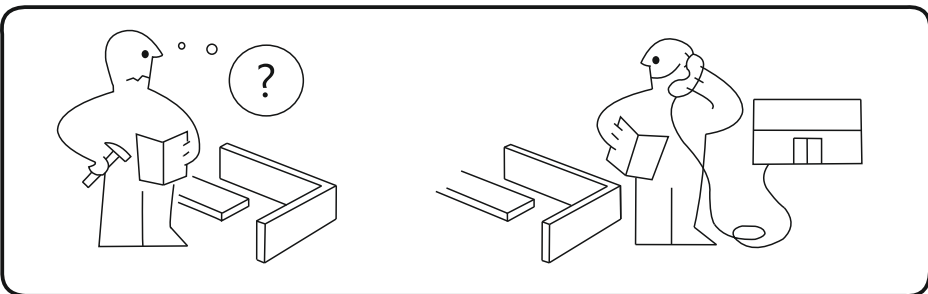
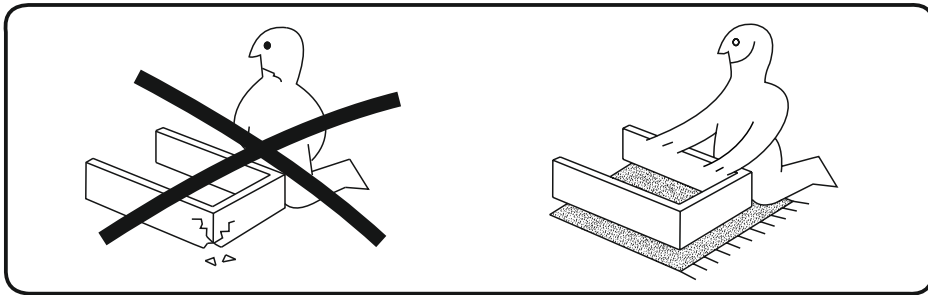
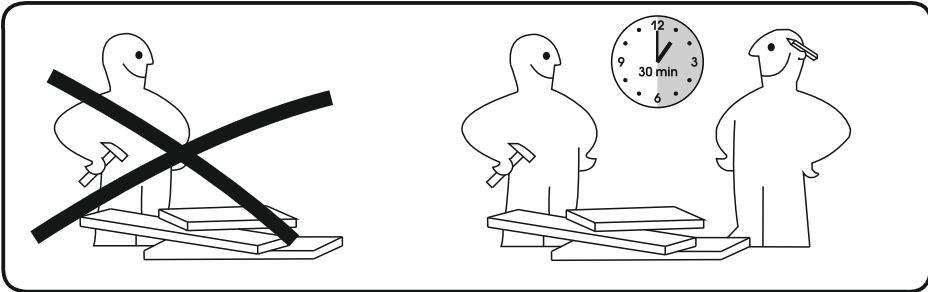
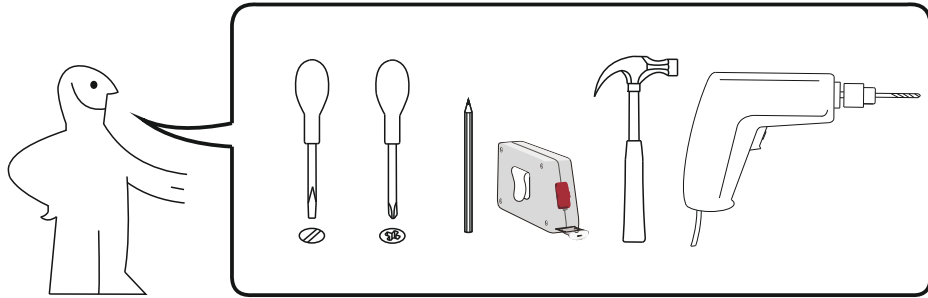
40x Q		10x D	
-----------------	--	-----------------	--


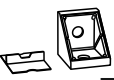

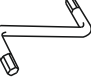

4x E10		10x 16 mm D1	
------------------	--	---------------------------	--

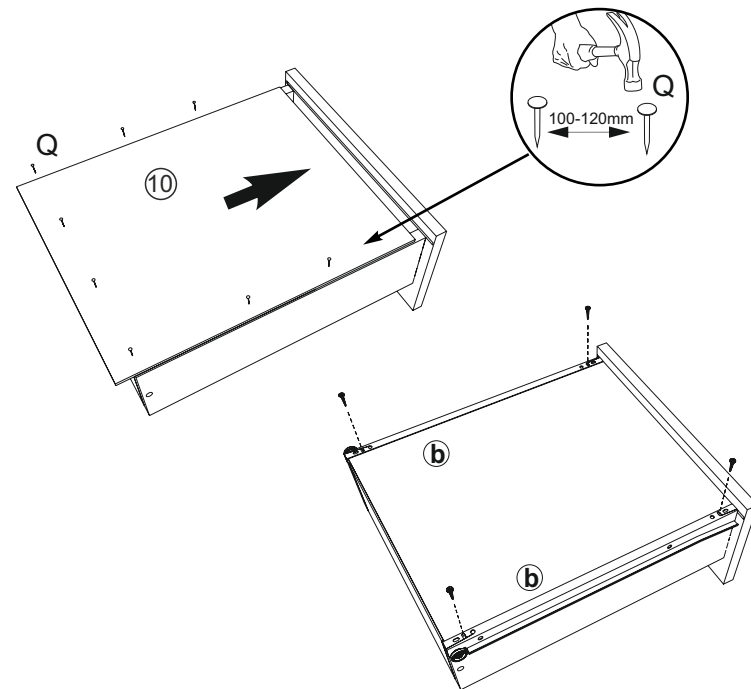
6x ø 6,4x50mm B1		10x 6x43 mm C1	
-------------------------------	--	-----------------------------	--



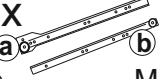
2x B		1x R	
----------------	--	----------------	--

No	axb	x	No	axb	x
1	325x220	1	6	996x214	1
2	325x186	1	7	419x100	2
3	325x220	1	8	300x100	4
4	968x325	1	9	470x178	2
5	968x325	1	10	447x307	2

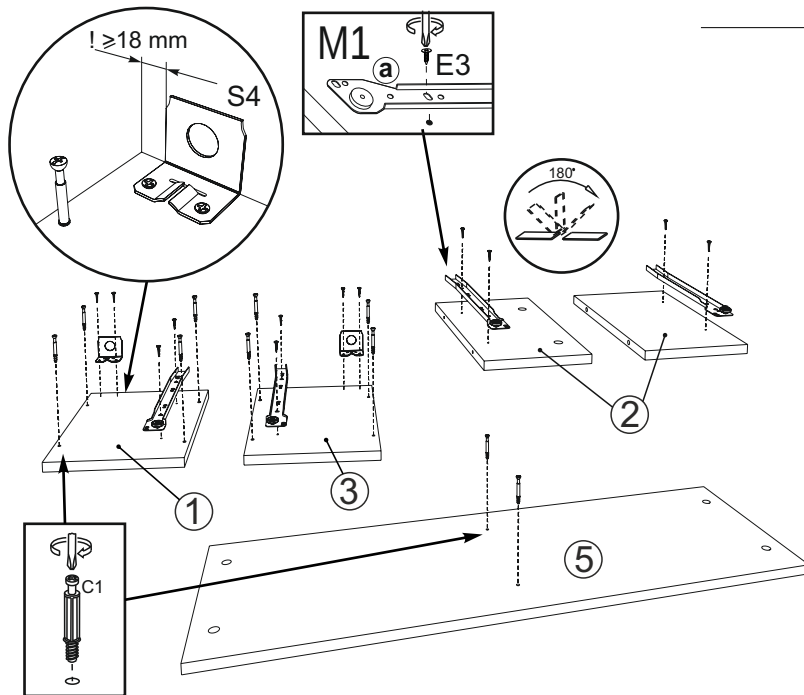


- 1**
- 4x  $\phi 3,5 \times 16 \text{ mm}$ E3
 - 2x  E10
 - 2x  $\phi 6,4 \times 50 \text{ mm}$ B1
 - 1x  R
 - 4x  $\phi 8 \times 30$ A1



- 2**
- 12x  Q
 - 8x  $\phi 3,5 \times 16 \text{ mm}$ E3
 - 1x  300 mm M1

3



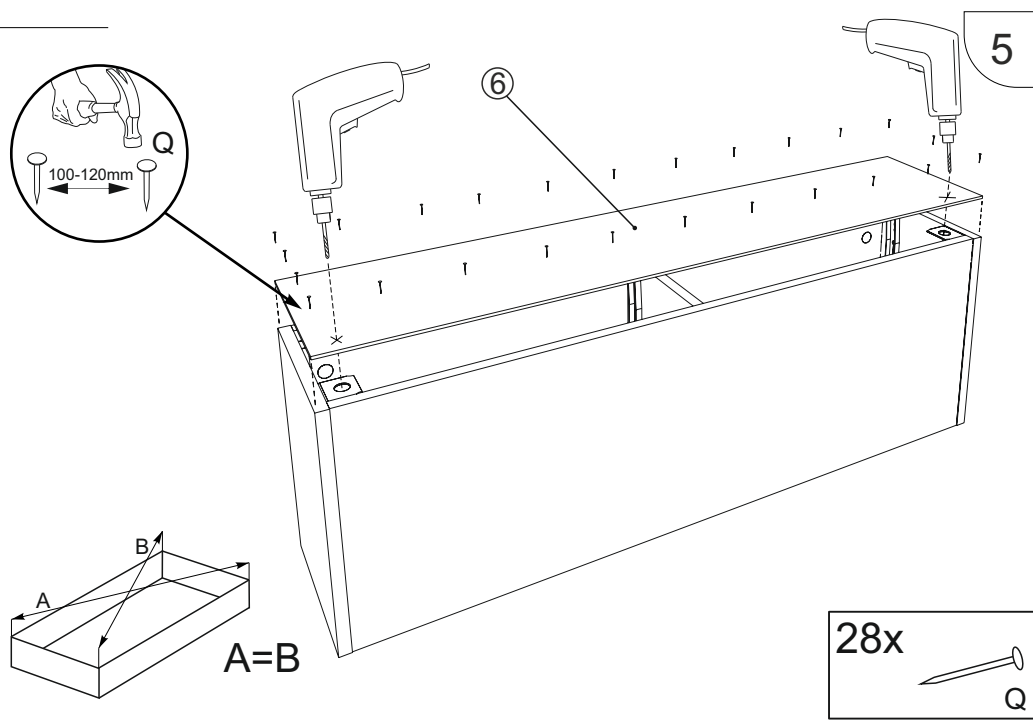
10x
6x43 mm C1

2x
300 mm M1

12x
 $\phi 3.5 \times 16\text{ mm}$ E3

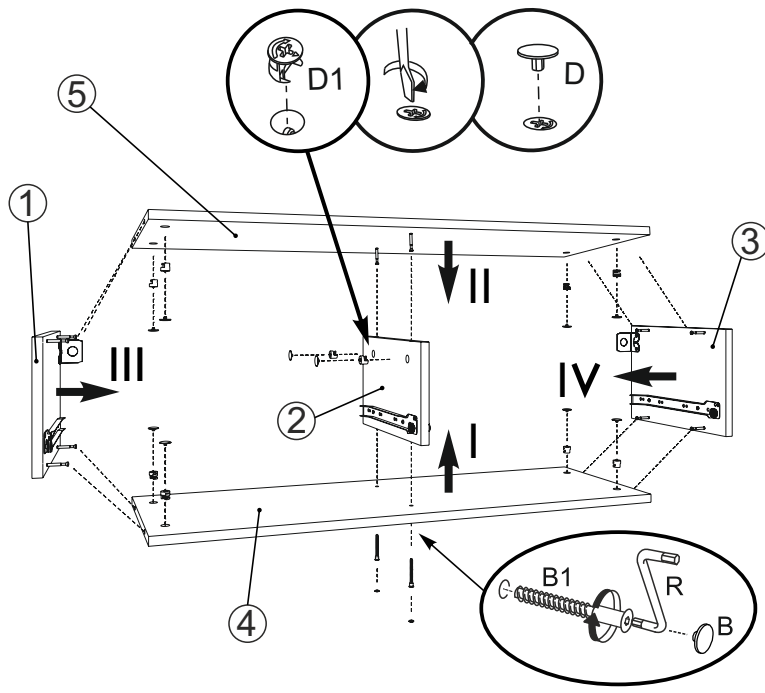
2x S4

5



28x
Q

4



2x B

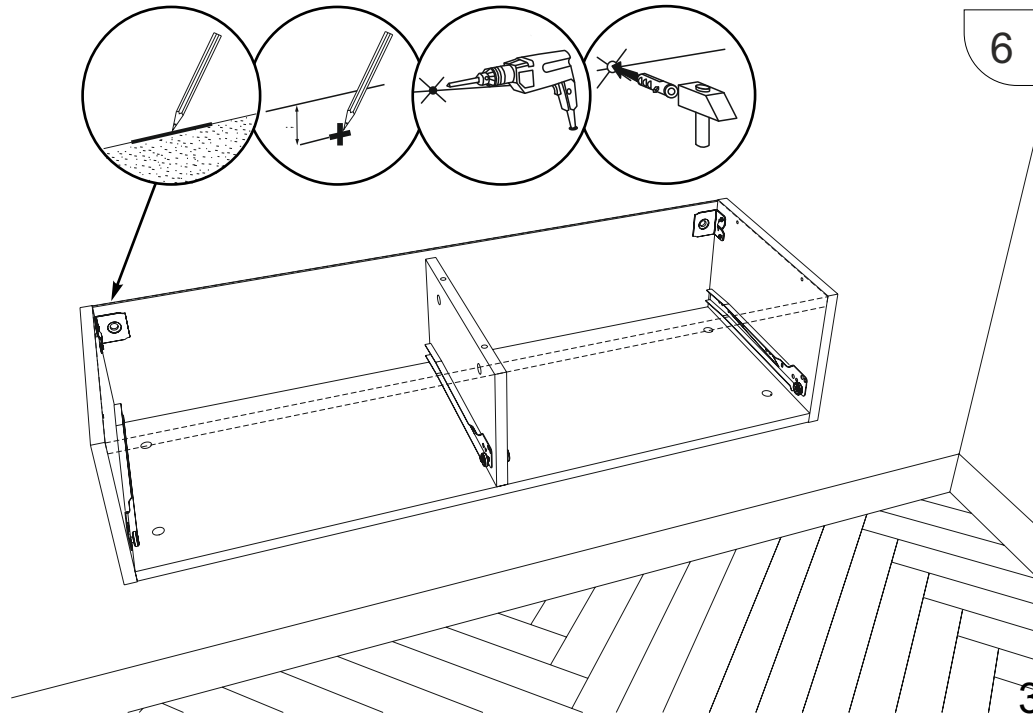
2x
 $\phi 6,4 \times 50\text{ mm}$ B1

1x R

10x D

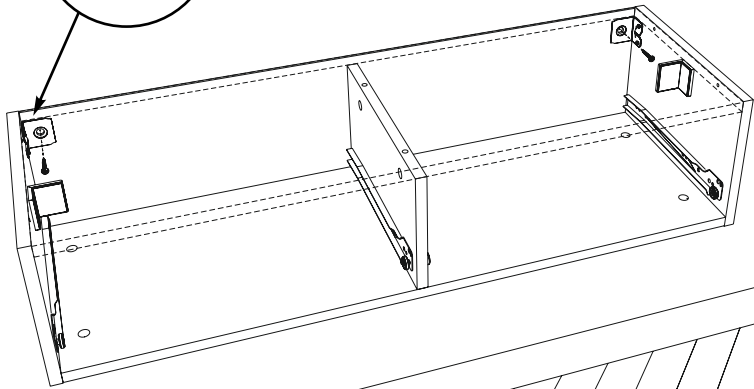
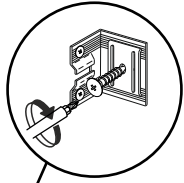
10x
16 mm D1

6



3

7



7

