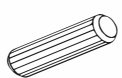
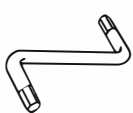


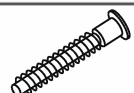
20x
 $\varnothing 8 \times 30$ A1



1x R



4x
 $\varnothing 6,4 \times 50 \text{mm}$ B1



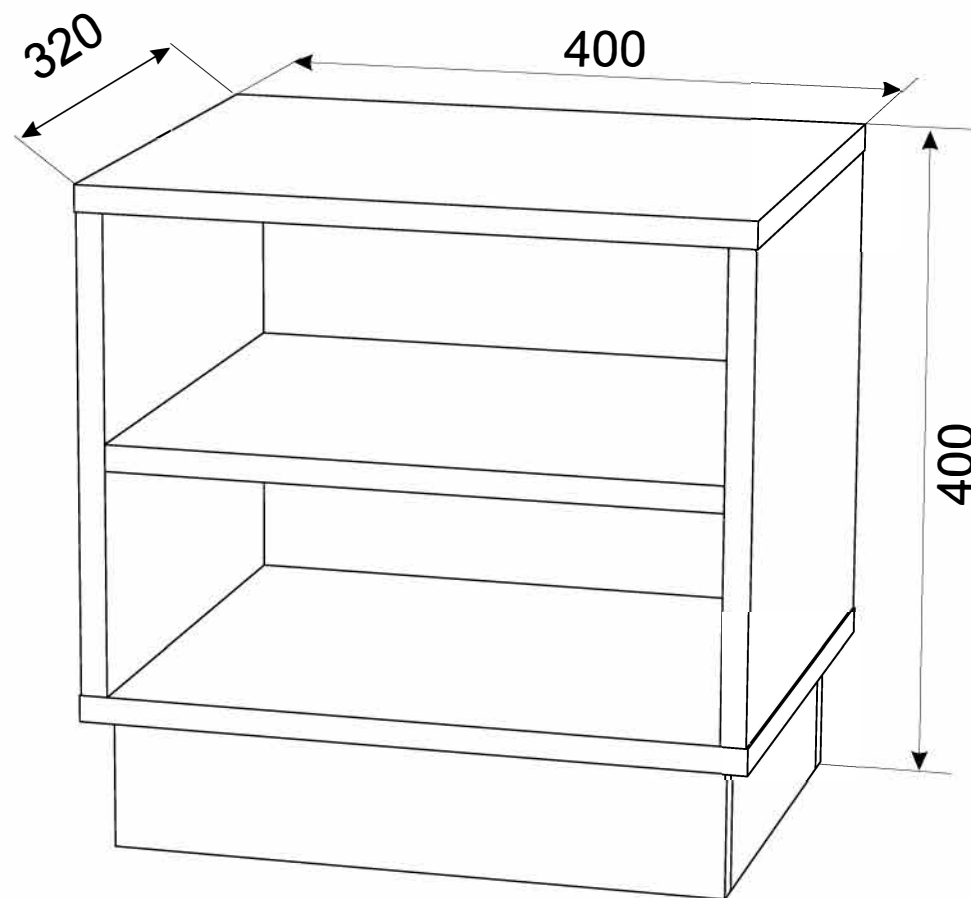
4x K2

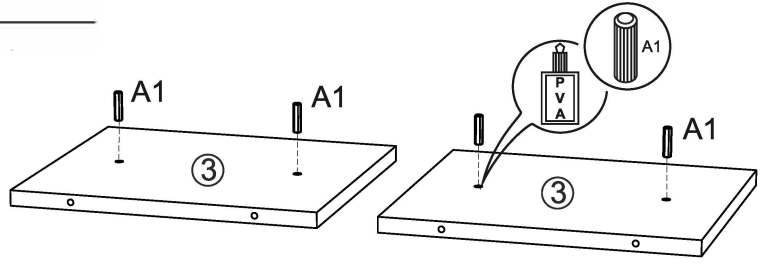
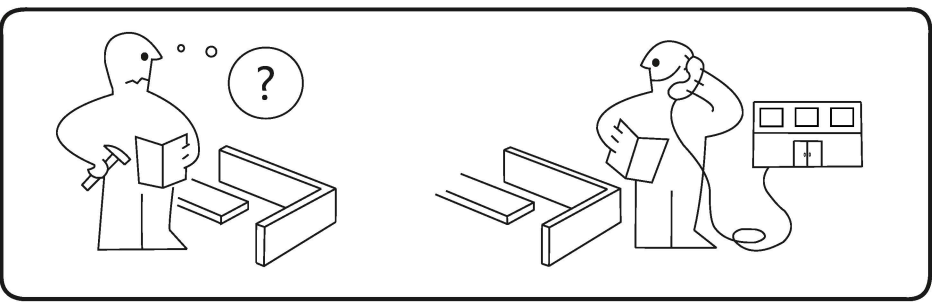
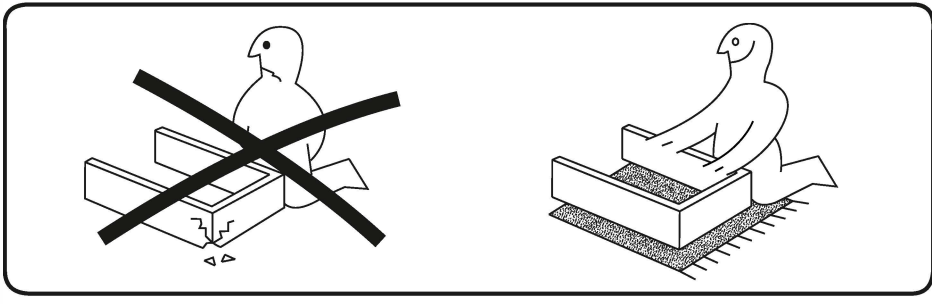
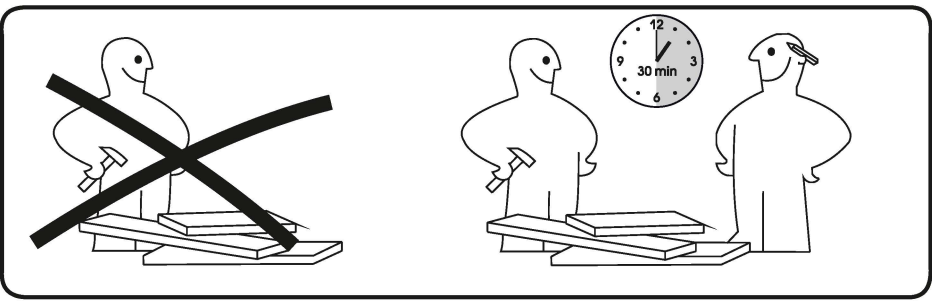
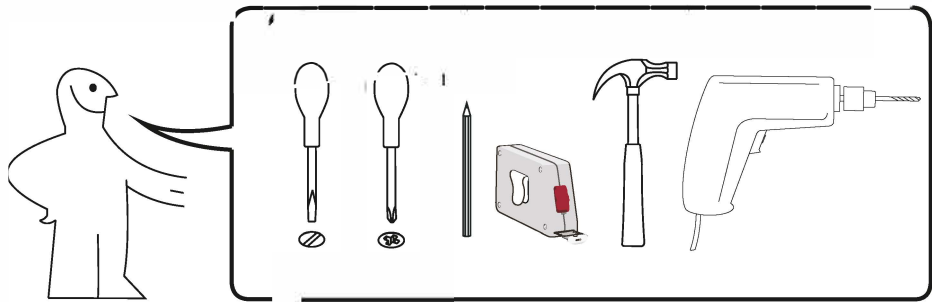


No	axb	x
1	400x320	1
2	400x320	1
3	320x288	2
4	366x320	1
5	368x80	2
6	256x80	2

ENG

Bedside table



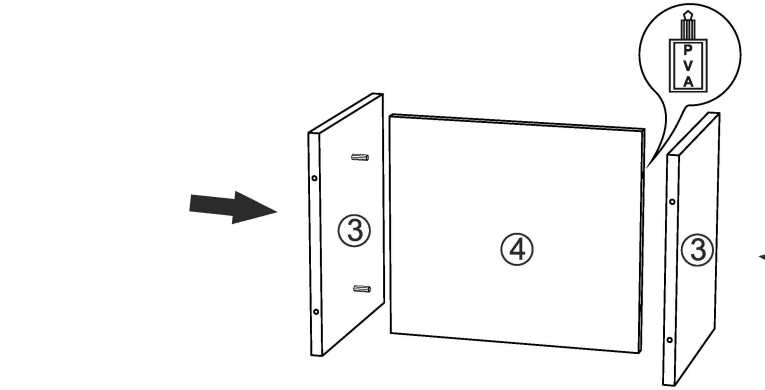


1

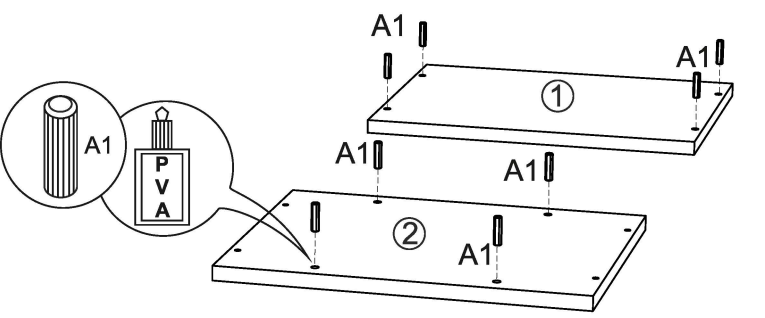
4x

∅ 8x30

A1



2

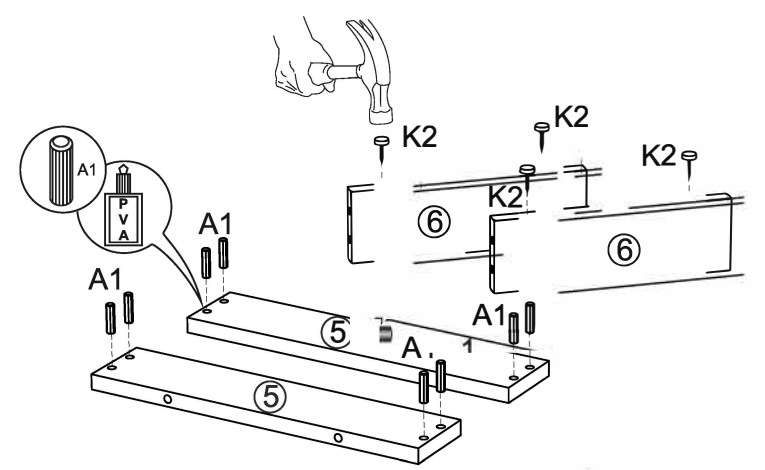


3

8x

∅ 8x30

A1



4

4x

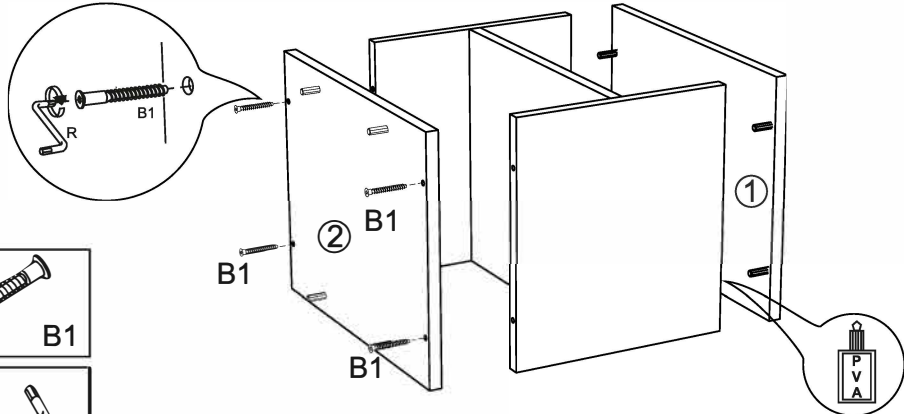
K2

8x

∅ 8x30

A1

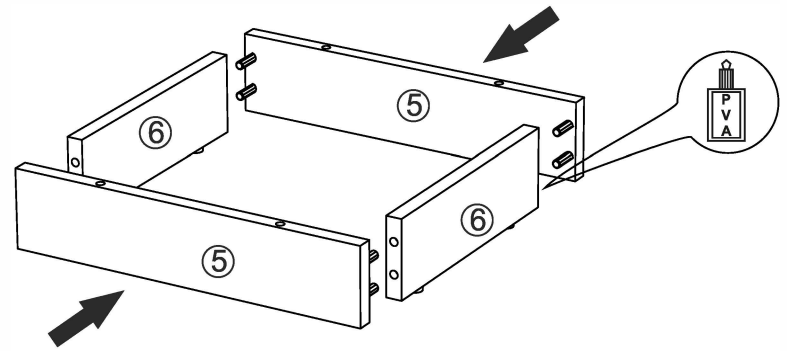
5



4x
 ø6,4x50mm B1

1x
 R

6



7

