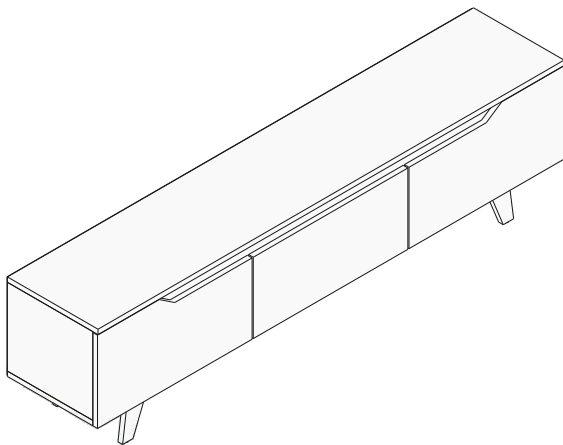


D1



Before starting the assembly need to



1 Person



Philips Screwdriver



Hammer



Drill

Dear Customer

This product you have purchased has been subjected to all tests and controls by us before it reaches you. However, your product may have been damaged during transportation or shipped incompletely. Therefore, it is useful to check the current product using the manual before starting the installation. If you encounter a missing or faulty object during the check, define the object using the manual and contact our company. Our officials will provide you with the object you need as soon as possible. You do not need to return the faulty product to our company.

For a successful installation, please provide the auxiliary tools mentioned above.

Before you start, clean every existing item with a damp cloth.

After cleaning the existing parts, arrange them in a suitable area according to their size. Meanwhile, be careful not to rub against each other while moving the pieces and not to hit the corner parts while arranging them.

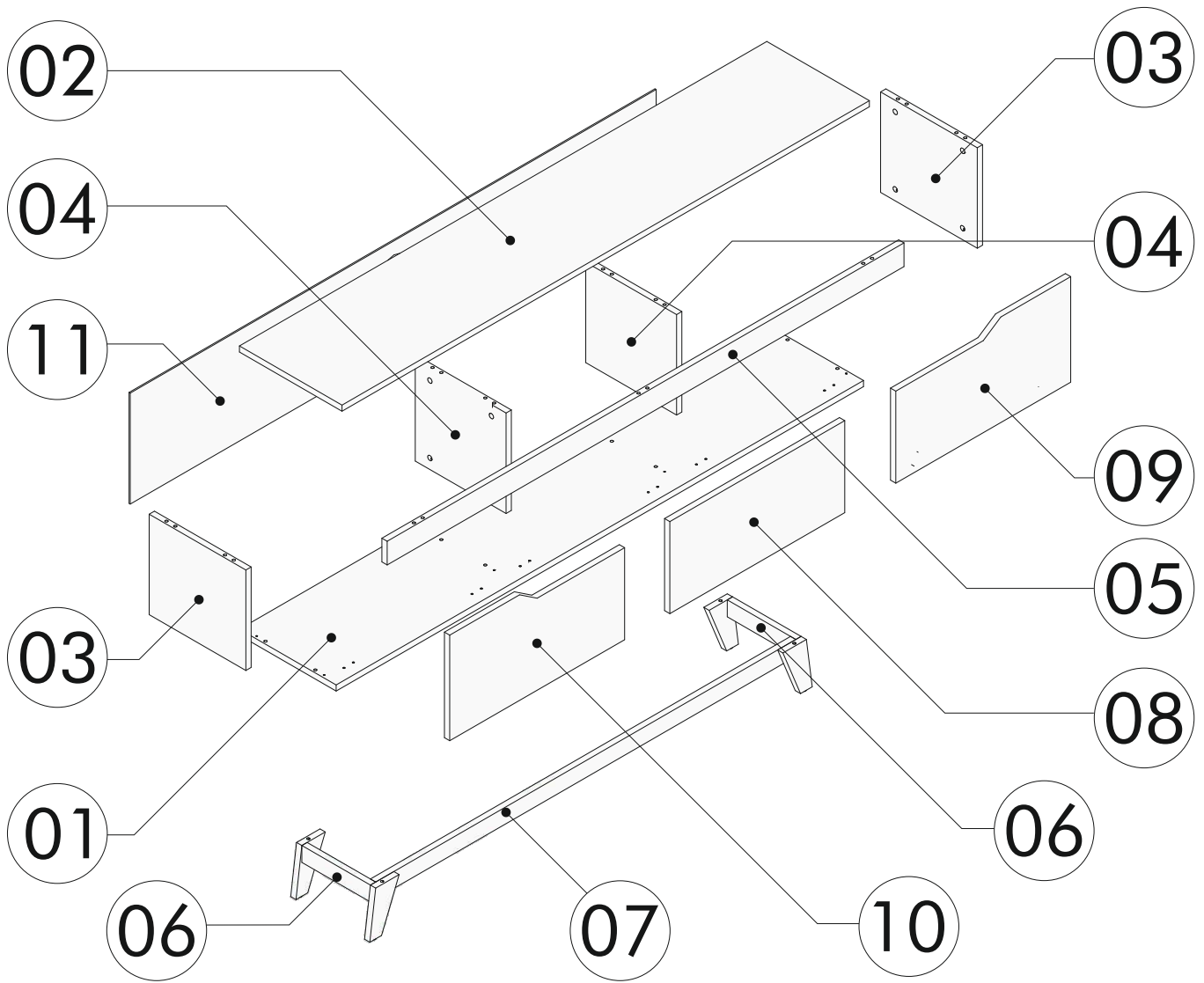
During installation, carefully review all steps in the manual.

After the installation process is completed, check the integrity of all connection points.

After the assembly, carry the product as 2 people.

Do not expose your product to direct sunlight. Keep away from hot and humid environments. Position your product appropriately considering these issues. In addition, do not load the product with heavy loads that may cause stretching and do not use it outside of its purpose.

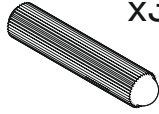
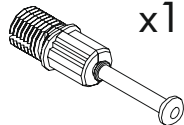
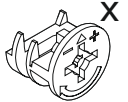

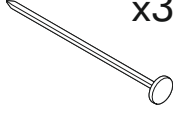
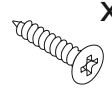
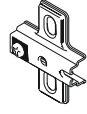
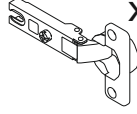
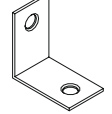
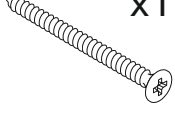
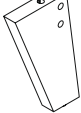
You can contact our company about the topics you are curious about.



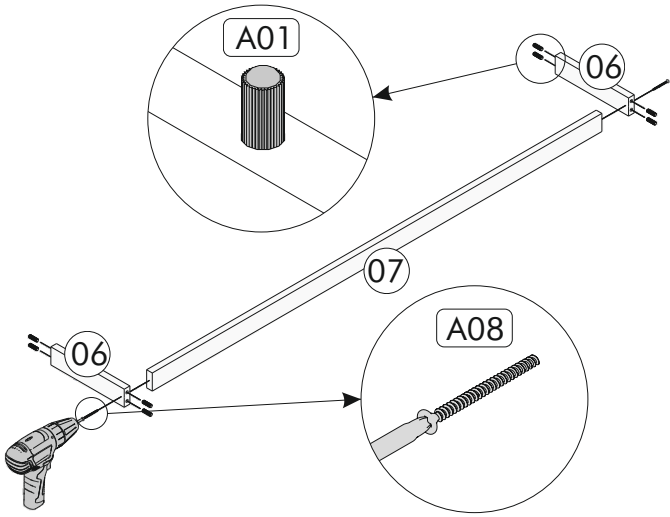
LIST OF PART

LIST OF ACCESSORY

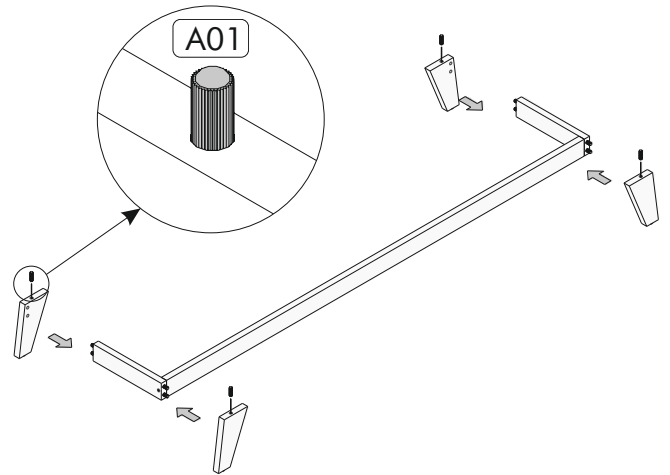
Code	Dimension 180 x 33	Pieces
01	x 1.8 cm 180 x 35 x	1
02	1.8 cm 33 x 29.7 x	1
03	1.8 cm 31 x 29.7 x	2
04	1.8 cm 176 x 70 x	2
05	1.8 cm 29 x 5 x 1.8	1
06	cm 143 x 5 x 1.8 cm	2
07	59.7 x 27.2 x 1.8 cm	1
08	59.7 x 31.2 x 1.8 cm	1
09	59.7 x 31.2 x 1.8 cm	1
10	179.5 x 33 x 0.3 cm	1
11		1

 x31	 x19	 x19
 x29	 x30	 x26
 x6	 x6	 x1
 x10	 x4	

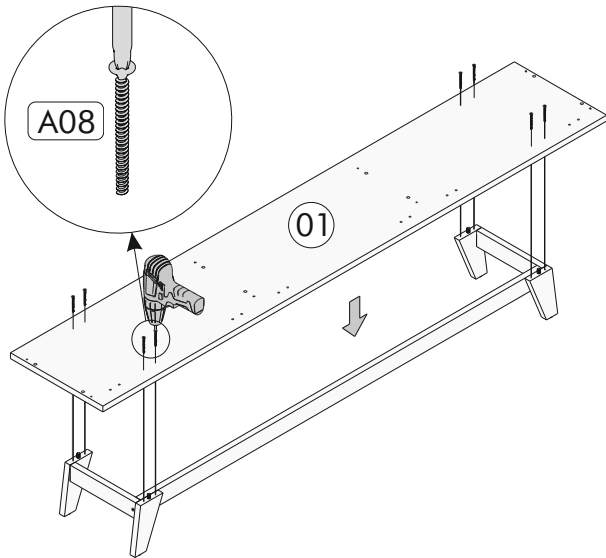
01



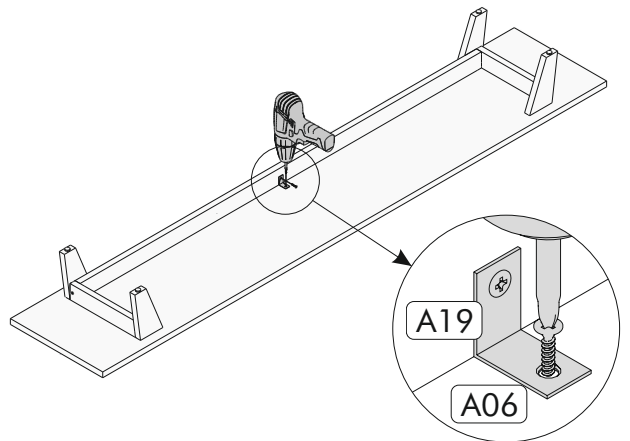
02



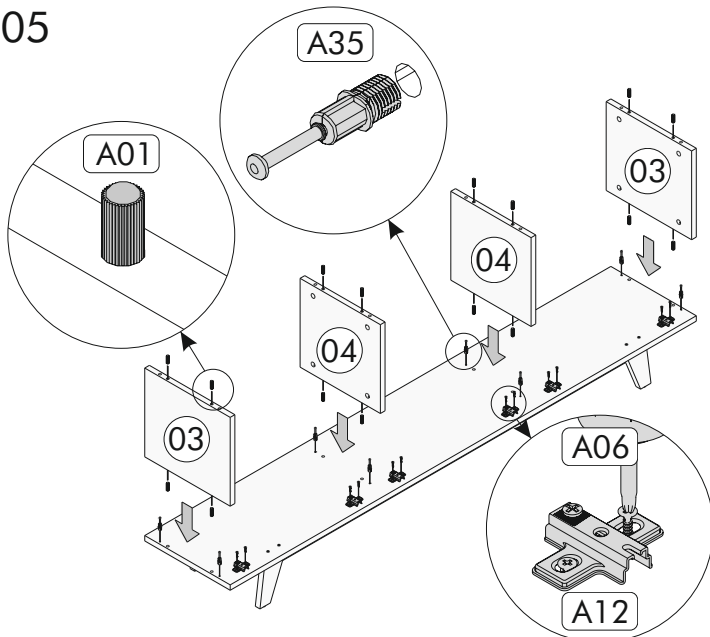
03



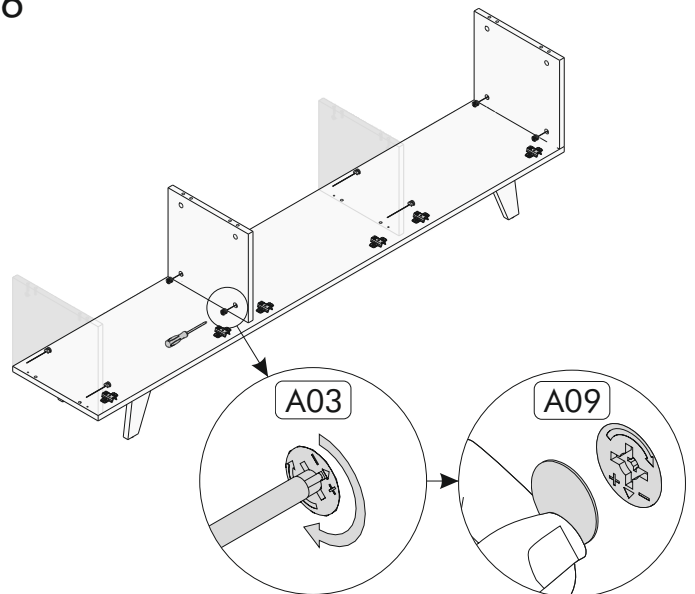
04



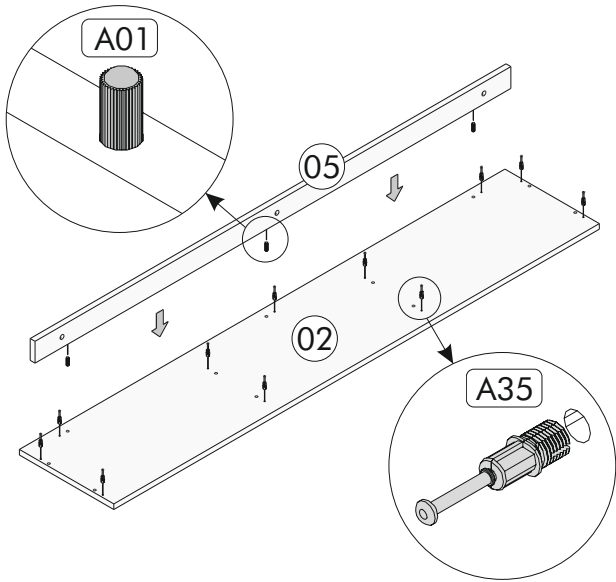
05



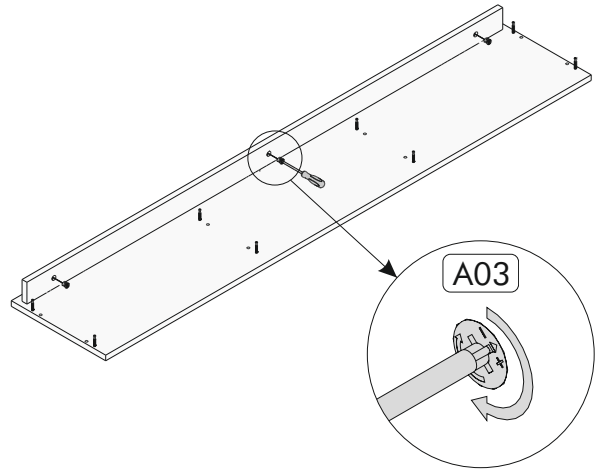
06



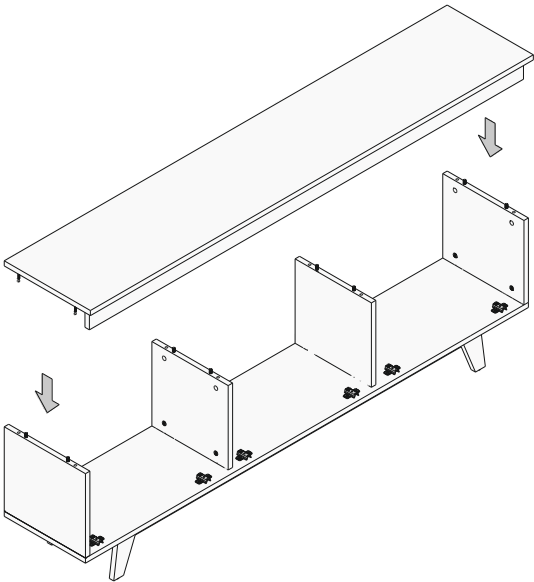
07



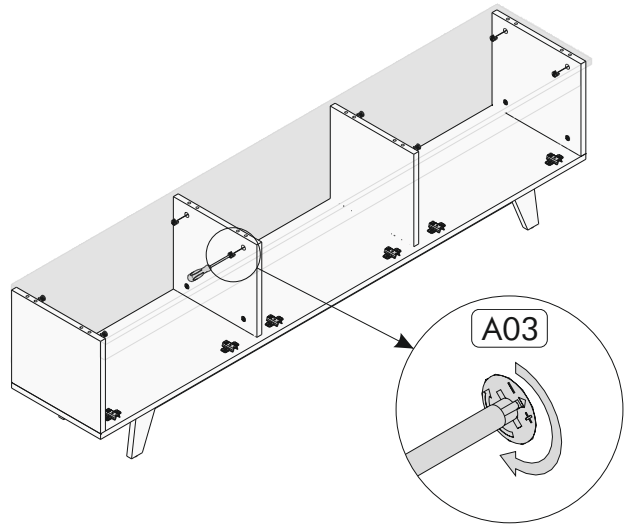
08



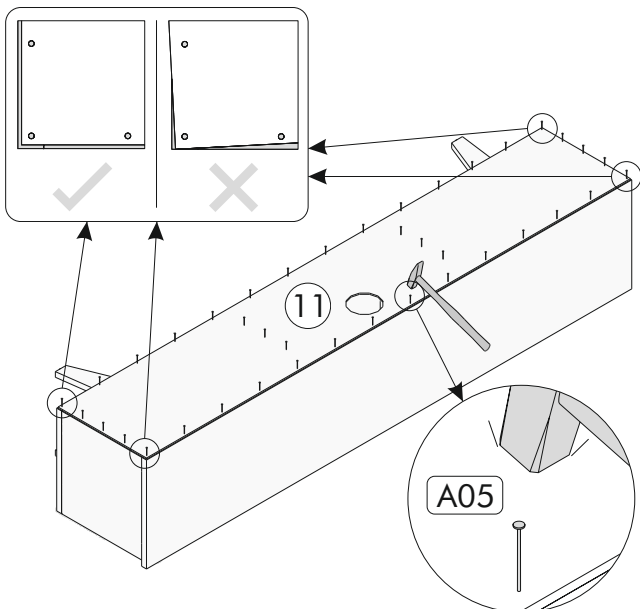
09



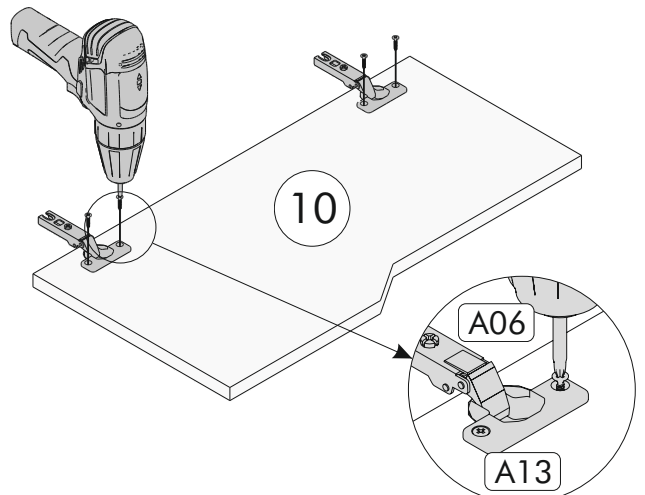
10



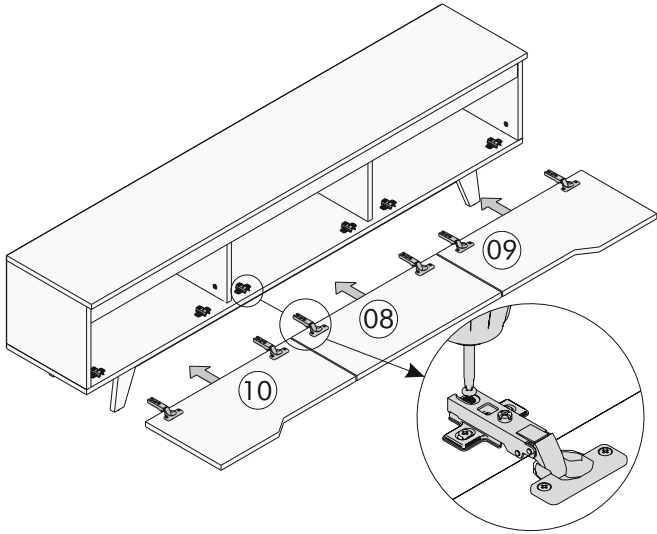
11



12

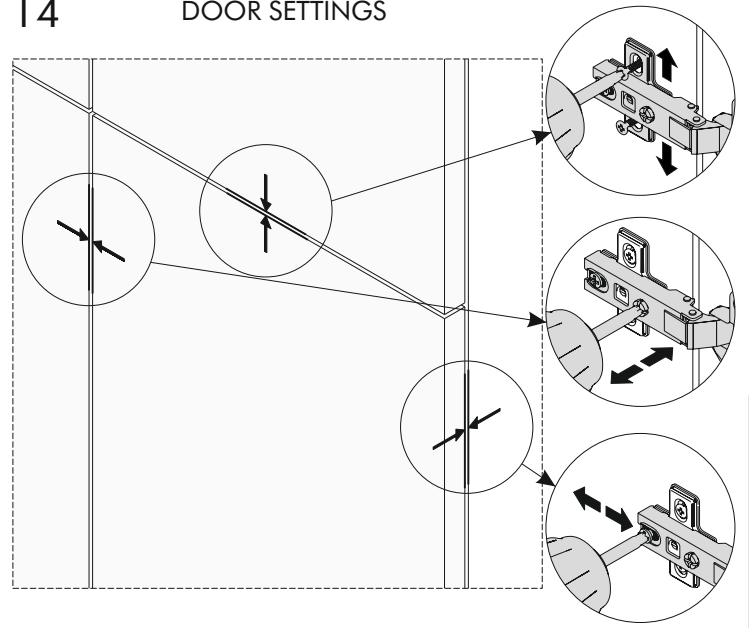


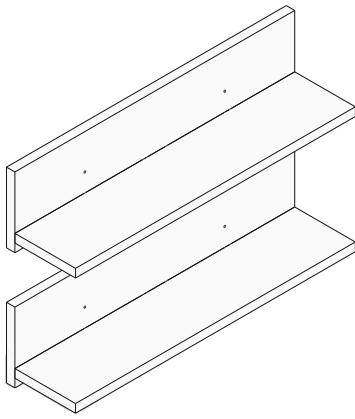
13



14

DOOR SETTINGS





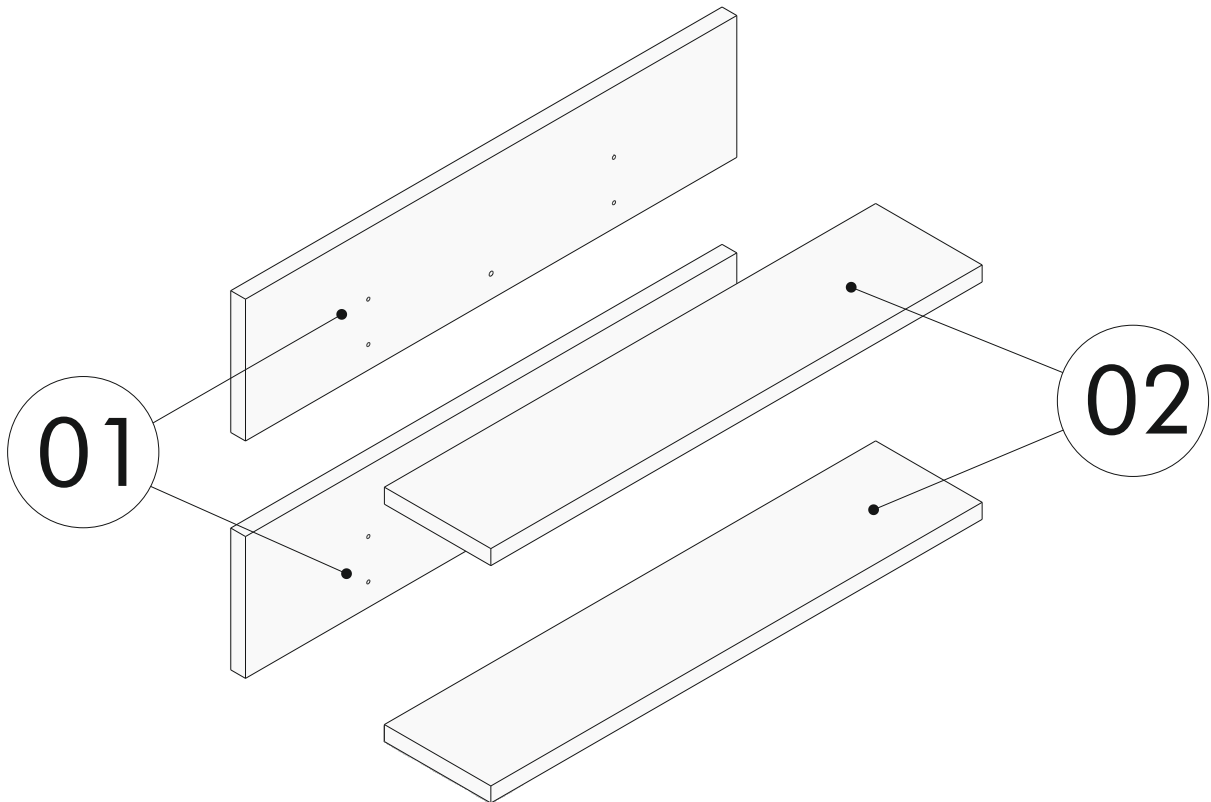
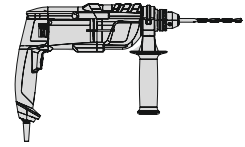
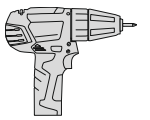
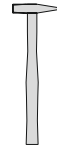
Before starting the assembly need to

1 person

Hammer

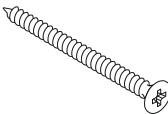
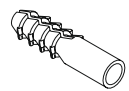


Drill

Hammer Drill

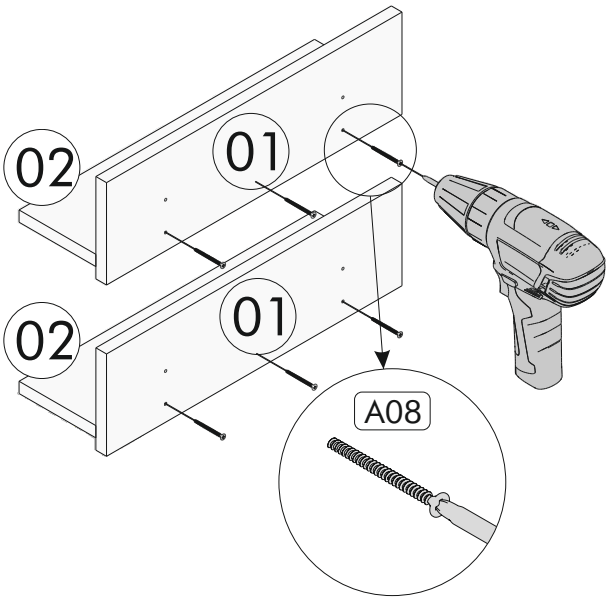


LIST OF PART

LIST OF ACCESSORY

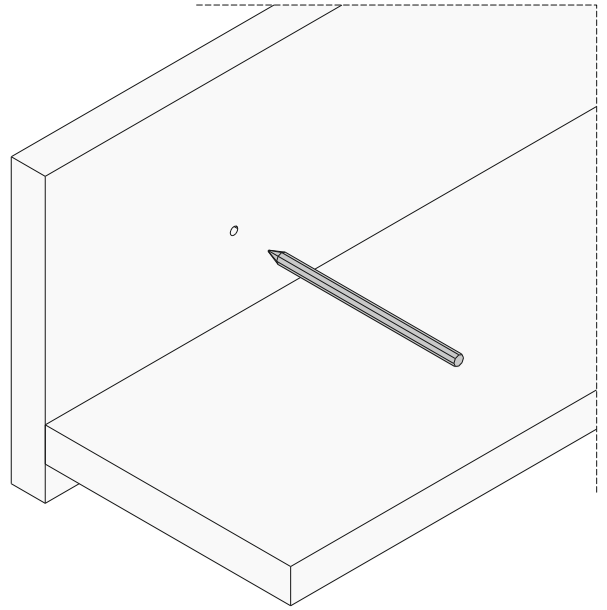
Code	Dimension	Pieces	LIST OF ACCESSORY	
01	60 x 15 x 1.8 cm	2	 x6 A08 4x50	 x4 A18 Dübel
02	60 x 13 x 1.8 cm	2	 x4 A17 5x70	 x4 A09 Vida Tapa

01

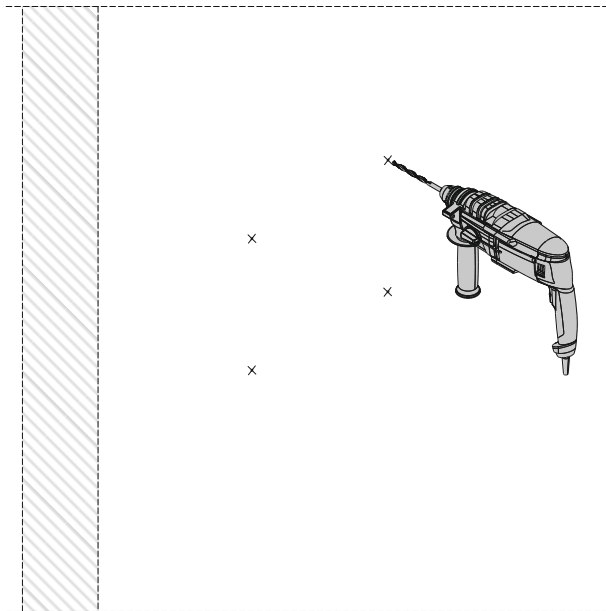


02

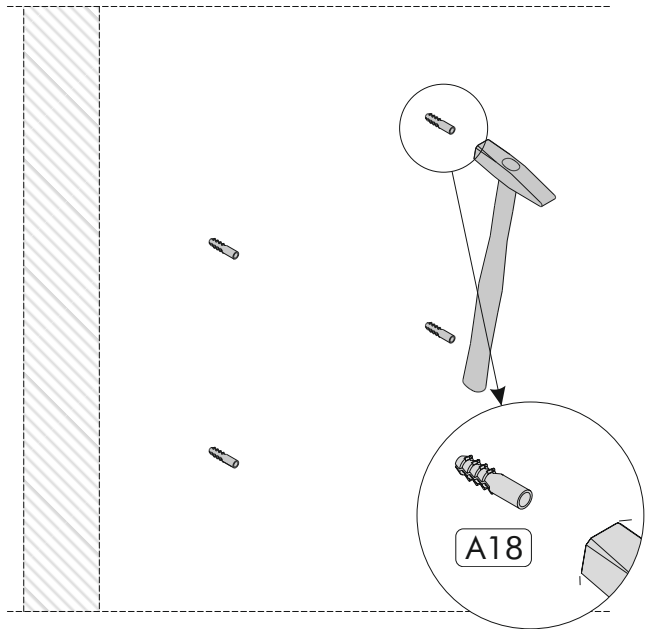
MARKING



03



04



05

