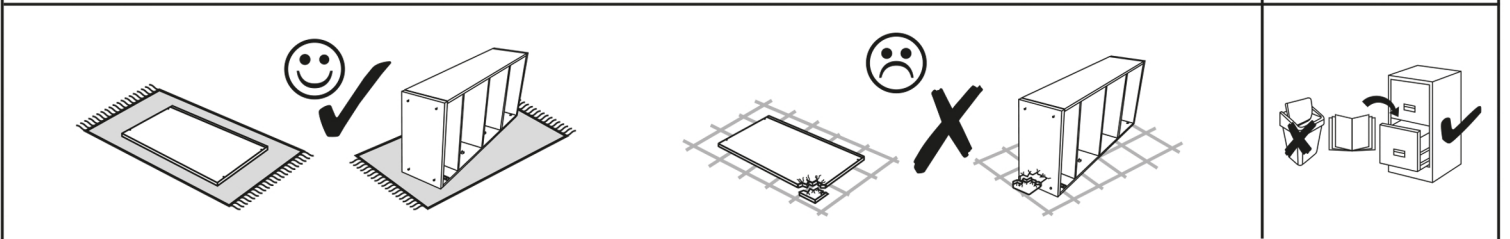
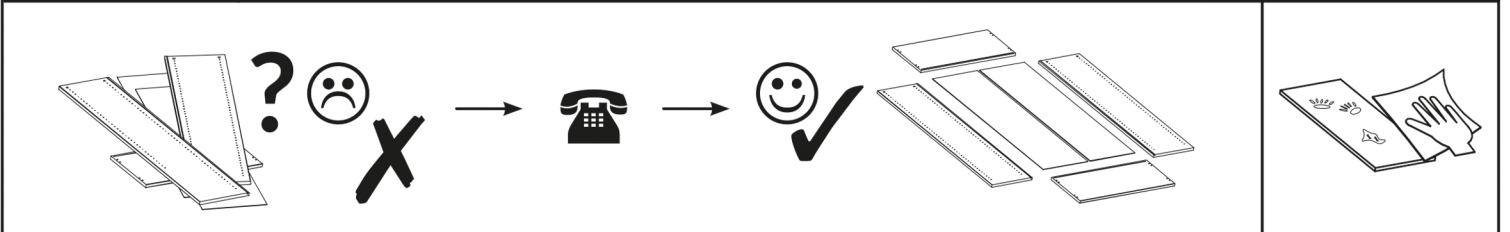
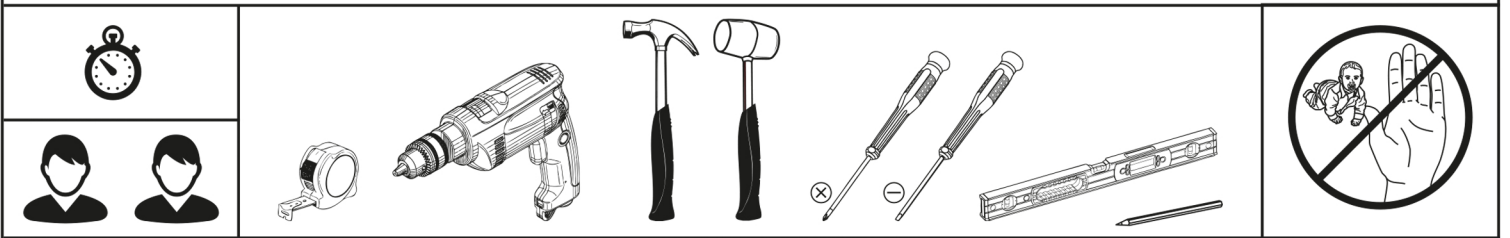
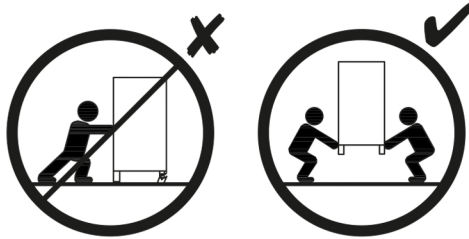
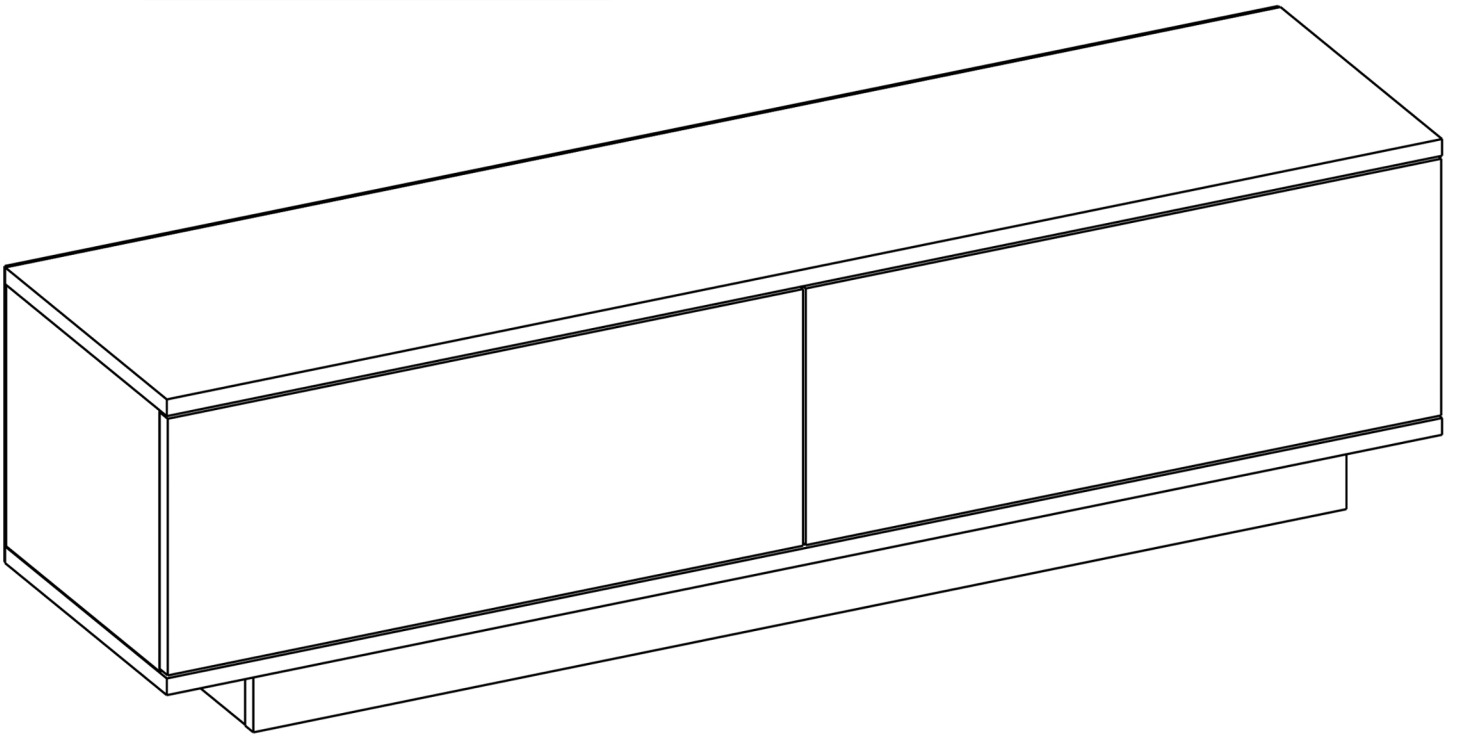

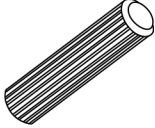
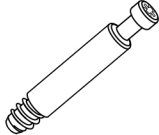


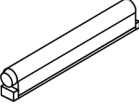

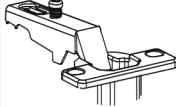
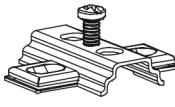
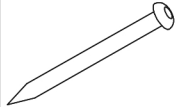


# FN1



# ACCESSORY LIST

	B0501 12X		B0503 19X		B0504 12X		B0502 12X		B0301 22X
	B1401 2X		B0304 9X		B0103 4X		B0105 4X		B0318 24X

