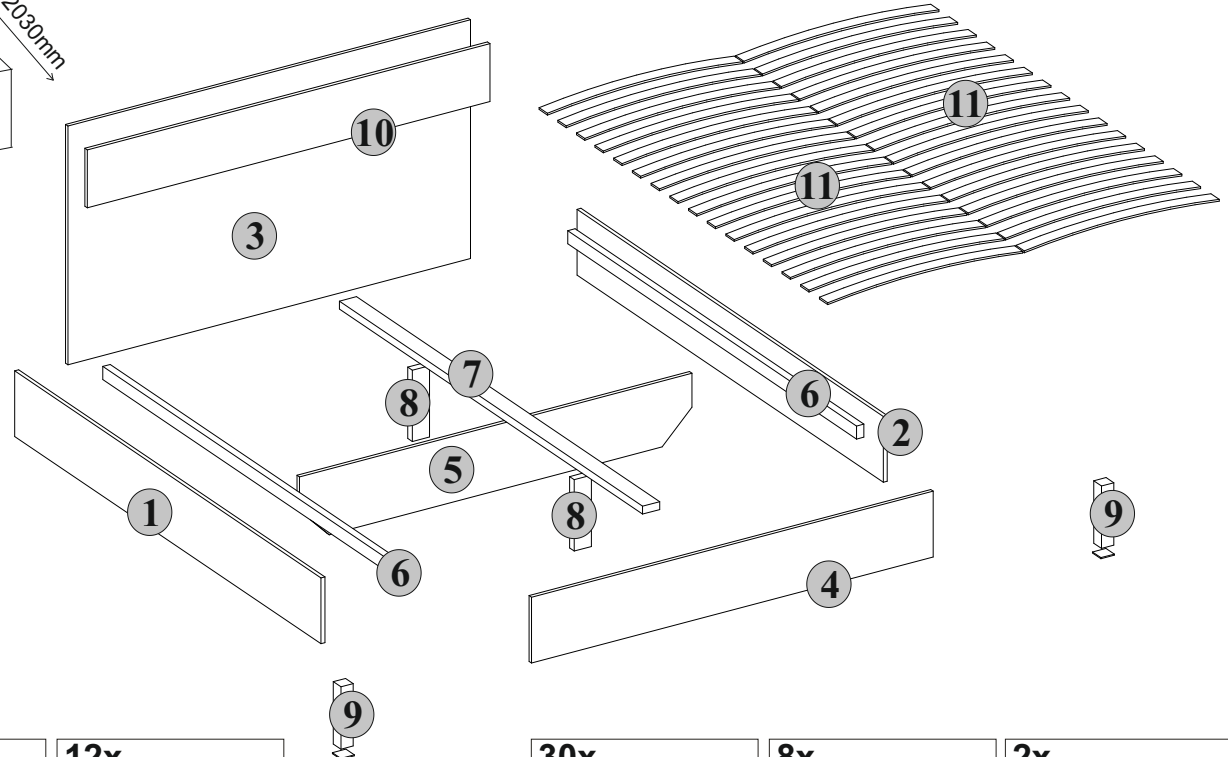
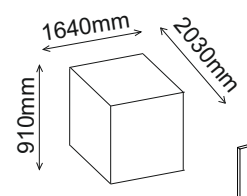
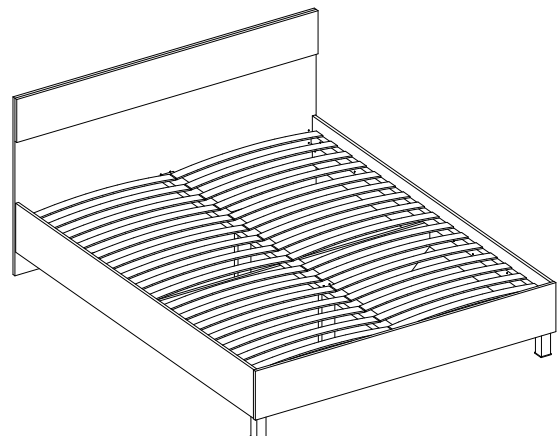
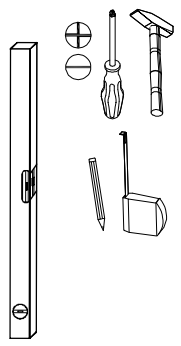
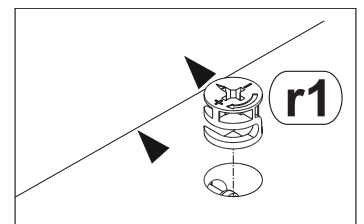
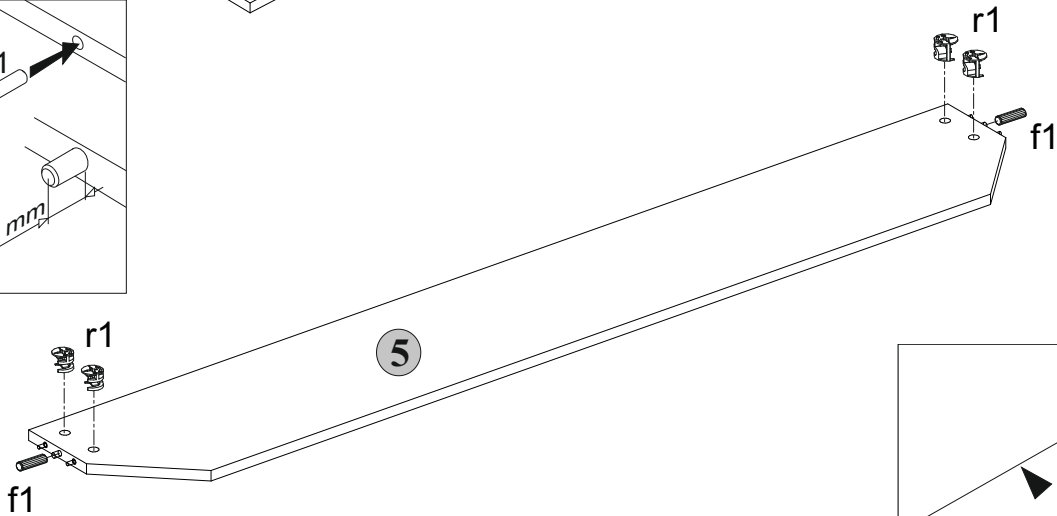
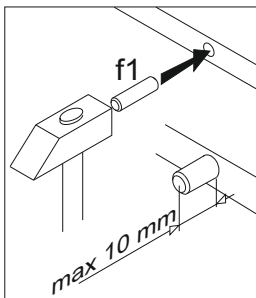
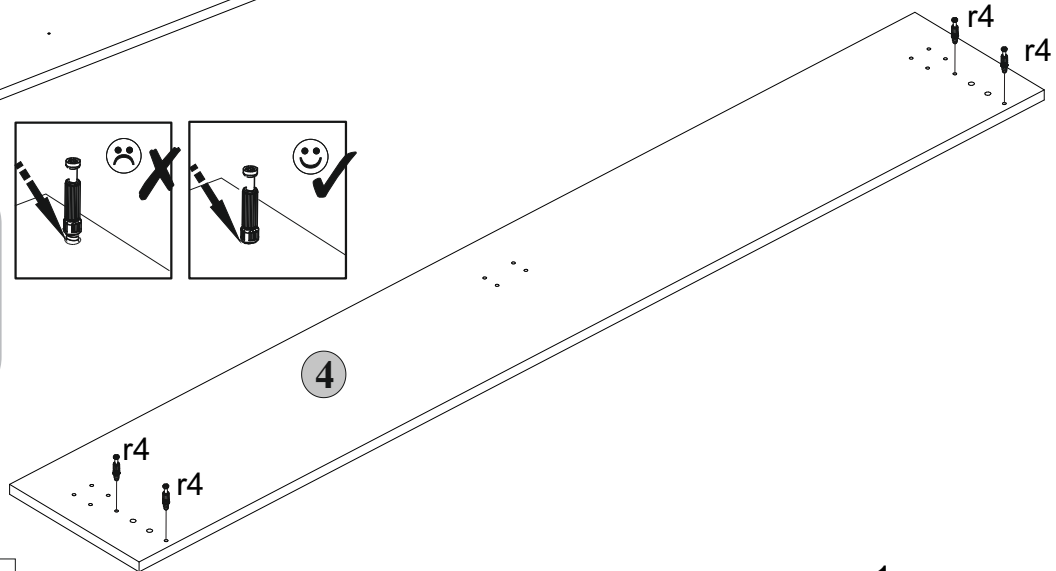
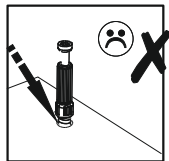
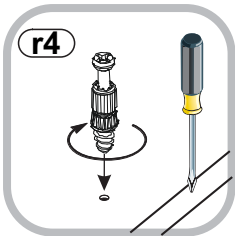
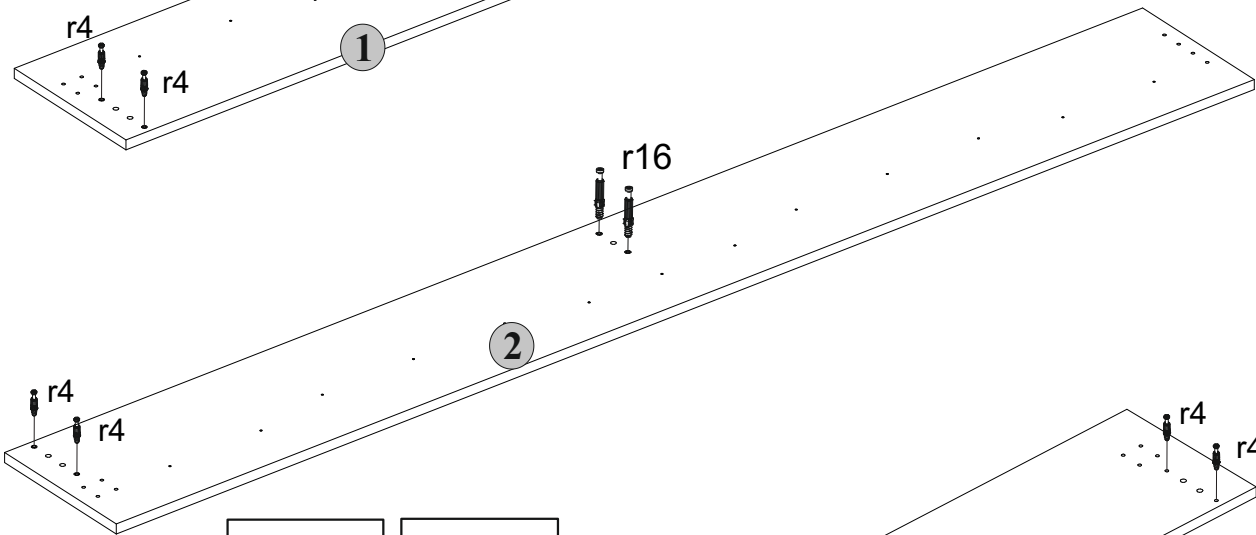
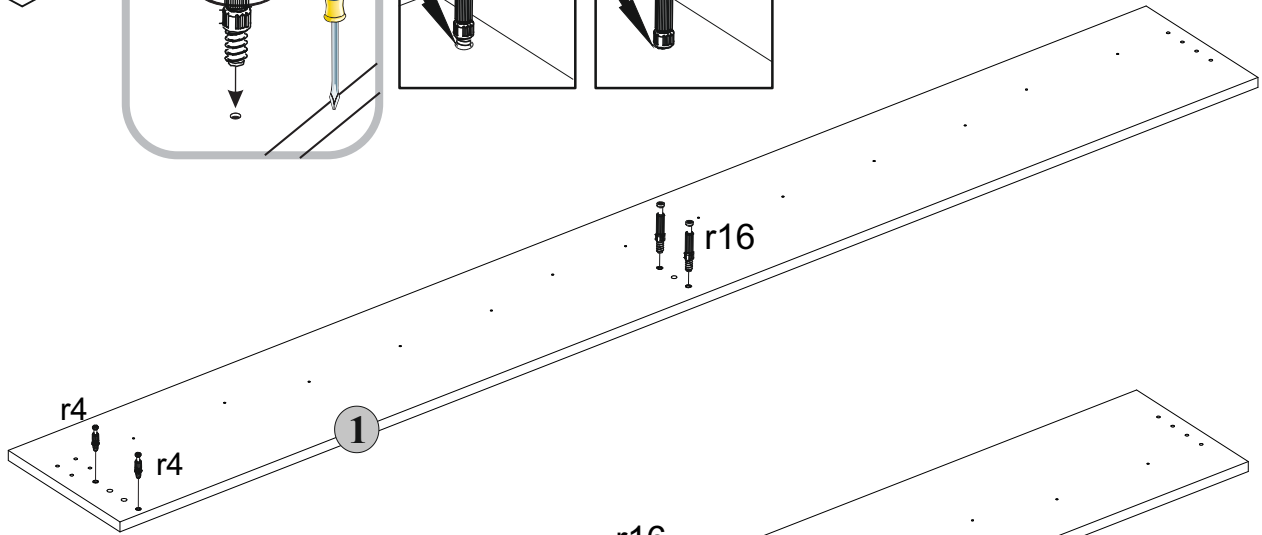
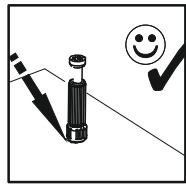
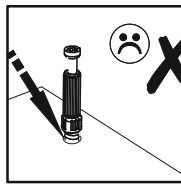
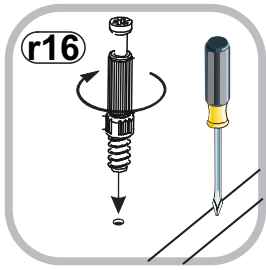


number	Measurements	Pcs.
1	1998x250	1
2	1998x250	1
3	1640x910	1
4	1636x250	1
5	1600x250	2
6	1884x50	2
7	1978x70	1
8	272x70	2
9	238x50	2
10	1640x220	1
11	795x54	1

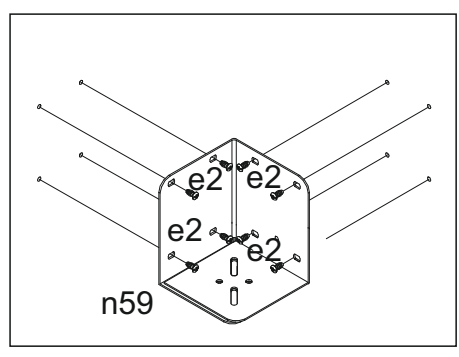
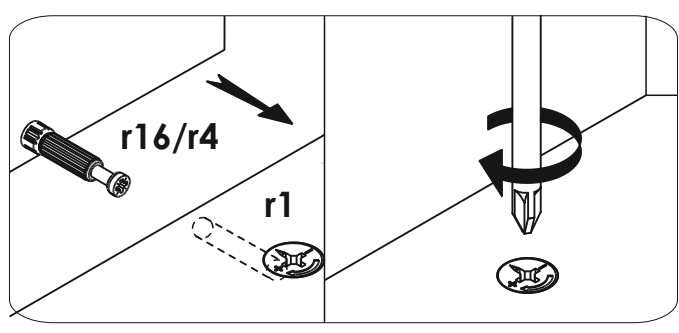
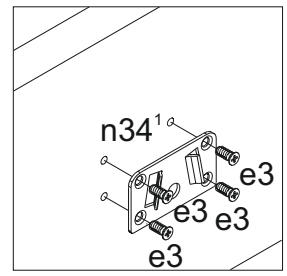
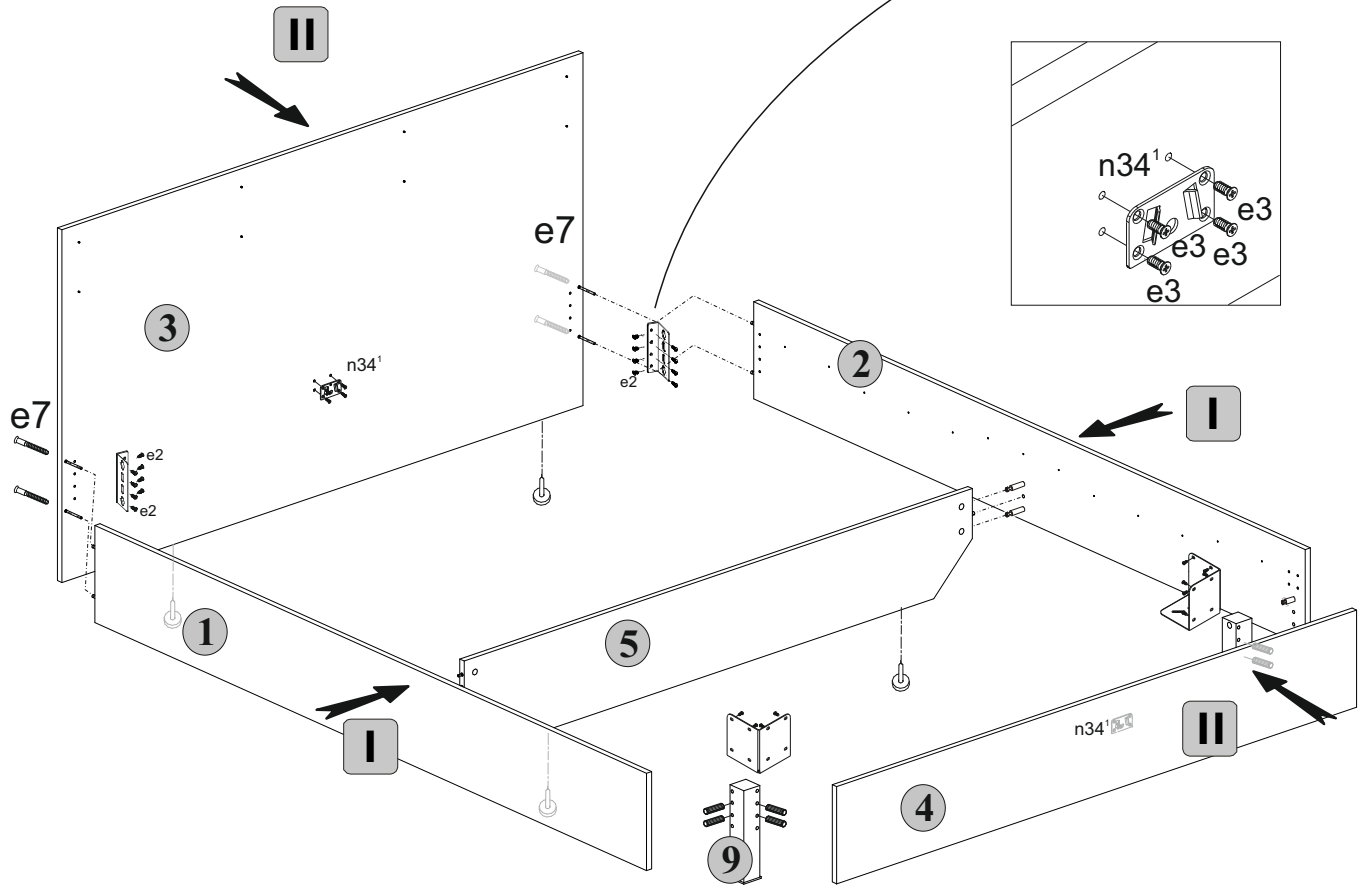
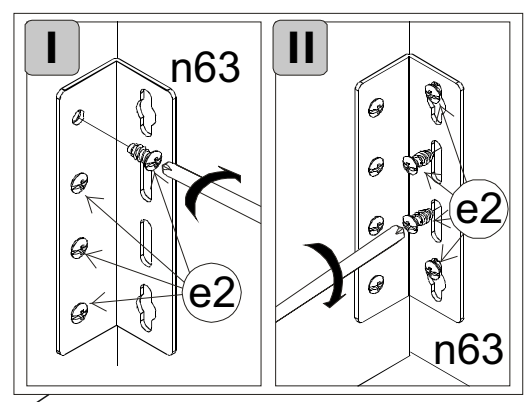
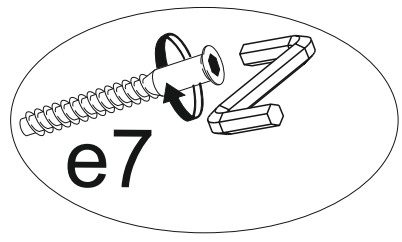


4x φ4x50 mm p12	12x φ3,5x25 mm p42	30x φ4x40 mm p10	8x φ4x25 mm p36	2x k20
12x φ15 #16 r1	4x r16	8x r4	12x s2	1x y1
32x φ6.3x13 mm e2	2x 130x34x34/2mm n63	2x n34¹	2x n34²	2x n59
6x k1	6x φ4x20 mm p14	1x z1	10x φ8x30 mm f1	4x 7x70 e7
4x s1	4x s2	8x φ6x13 mm e3	1	



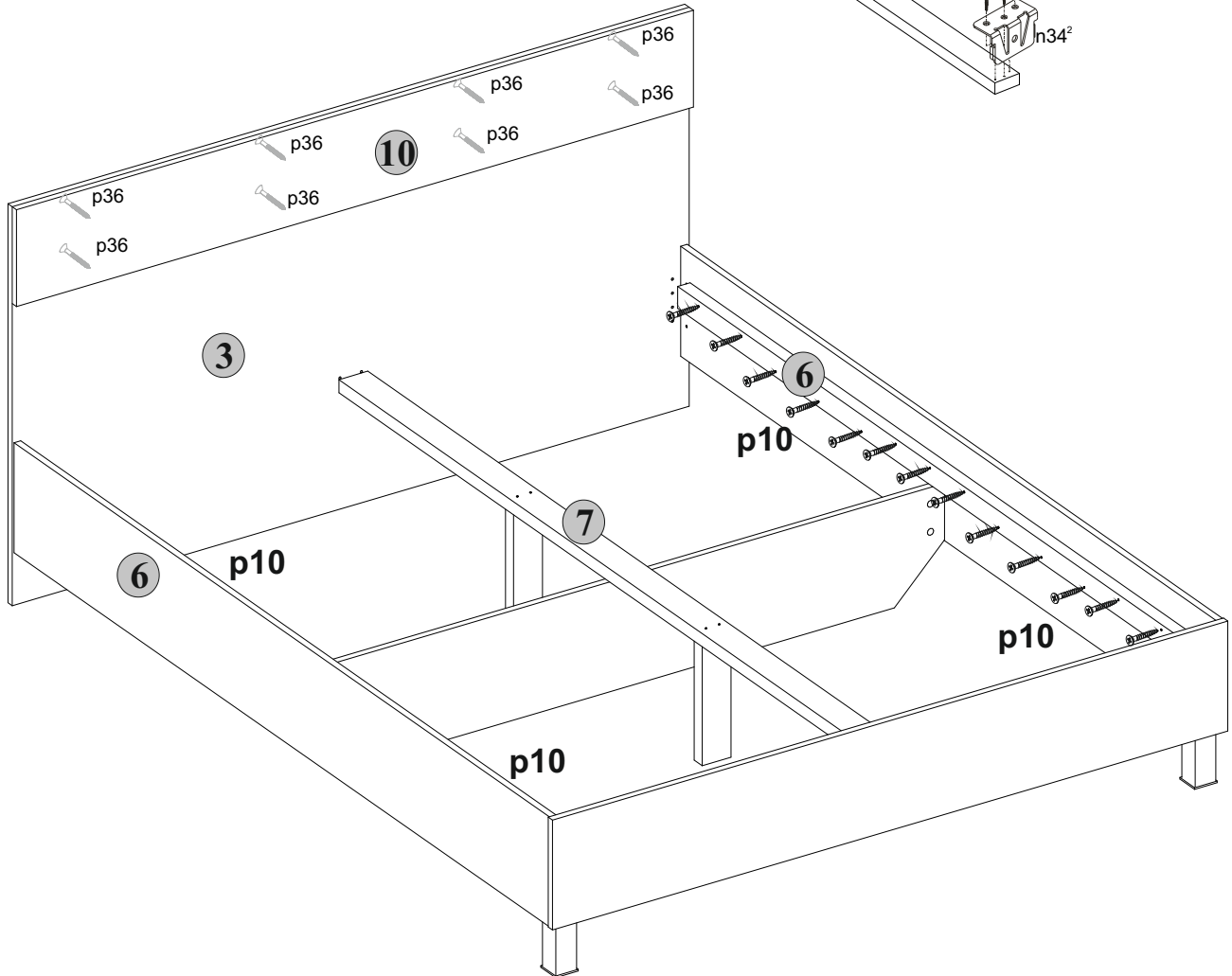
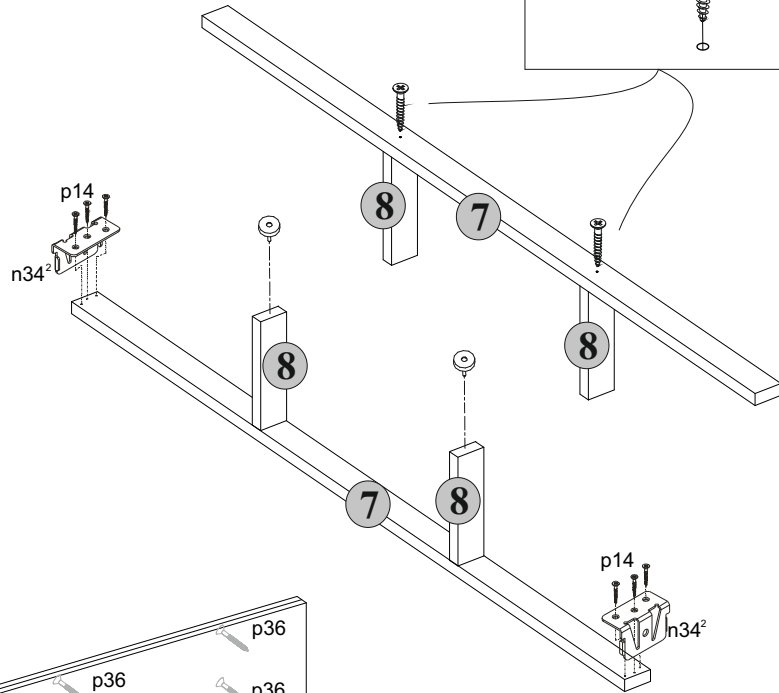
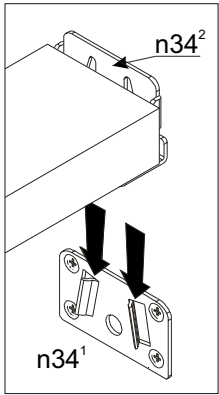
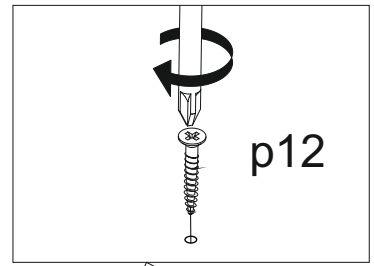
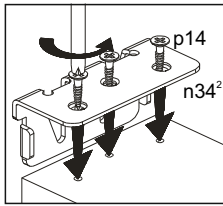
2

2



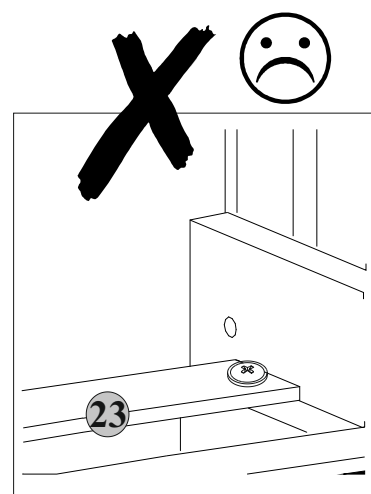
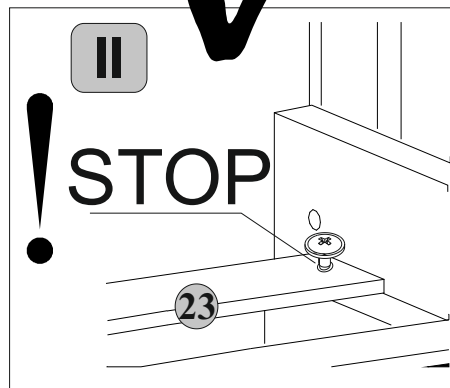
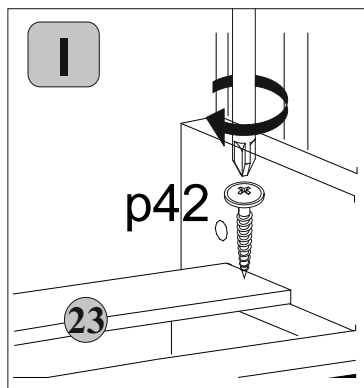
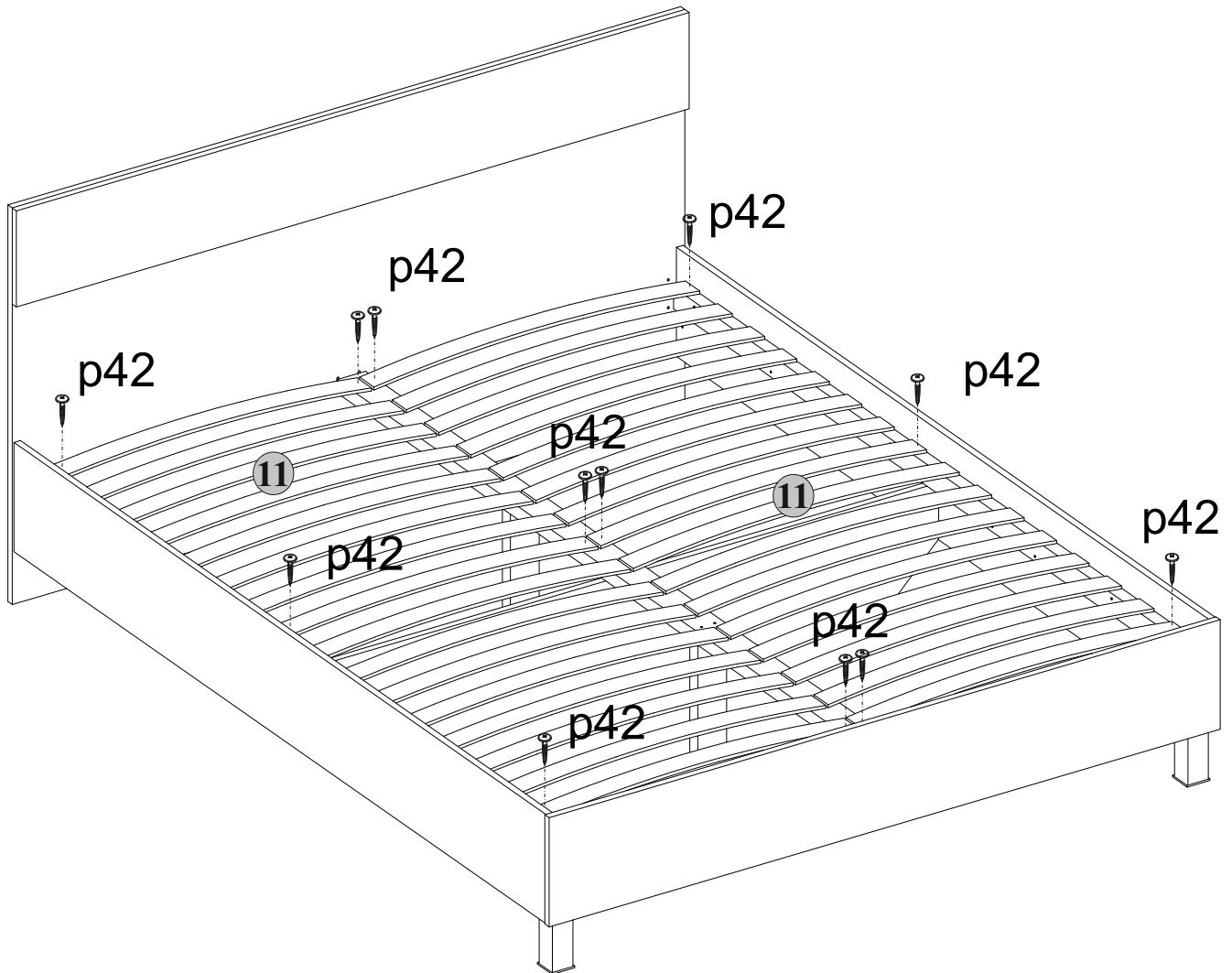
3

3



4

4



5