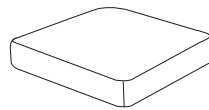
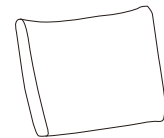


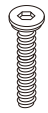
Ax1



Bx1



Cx1



Dx2



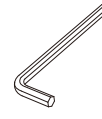
Ex2



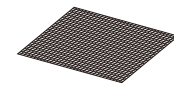
Fx2



Gx2

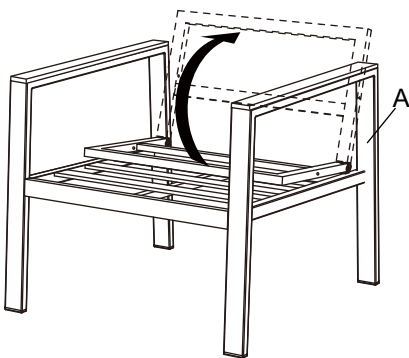


Hx1

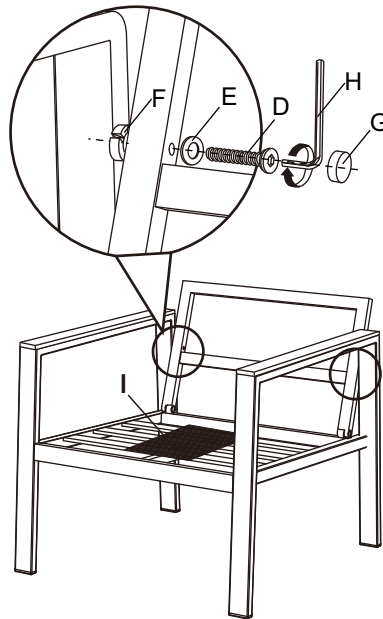


Ix1

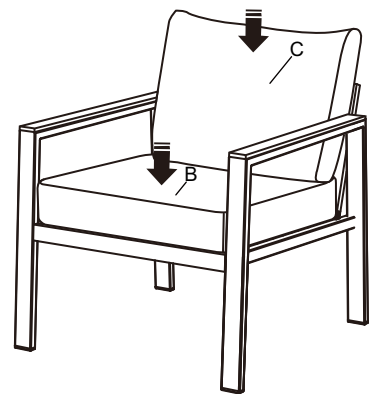
1

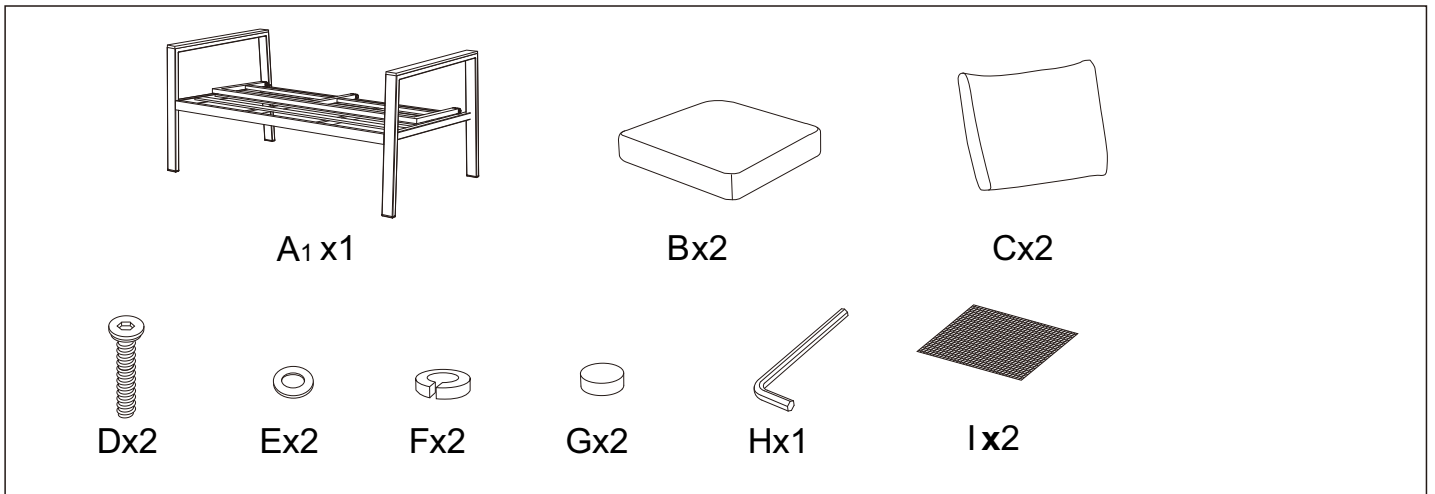
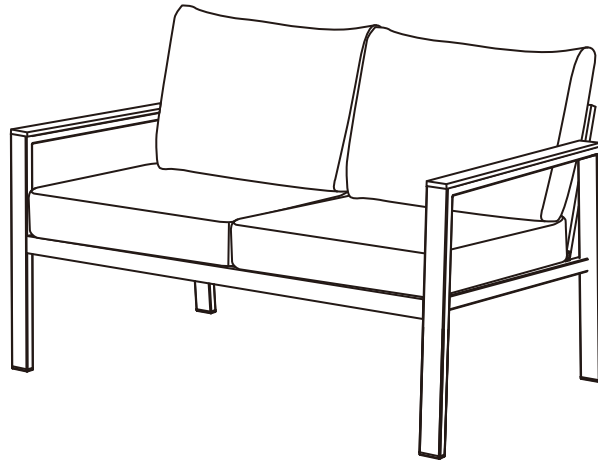


2

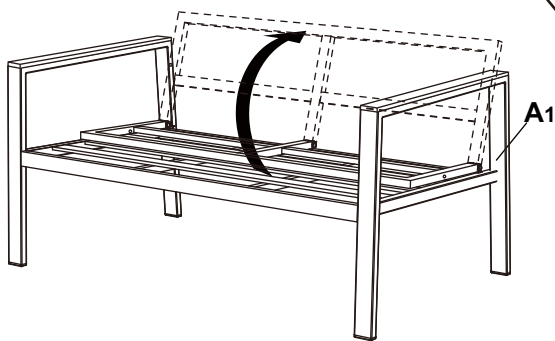


3

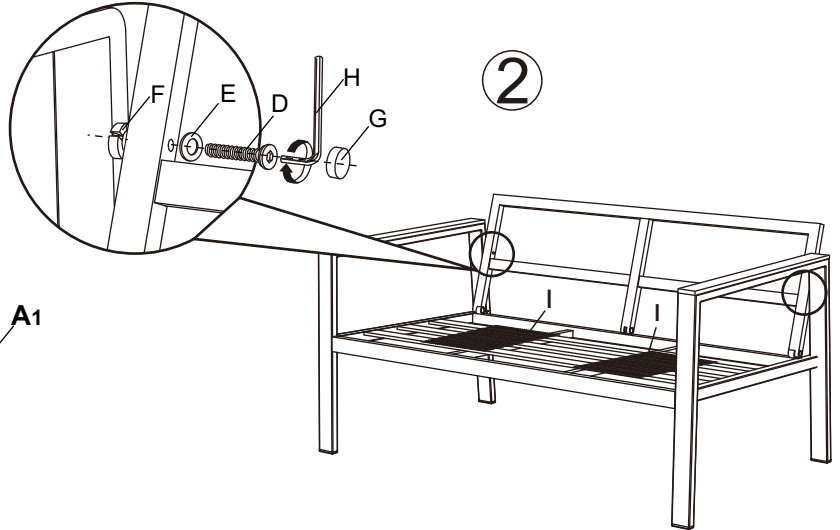




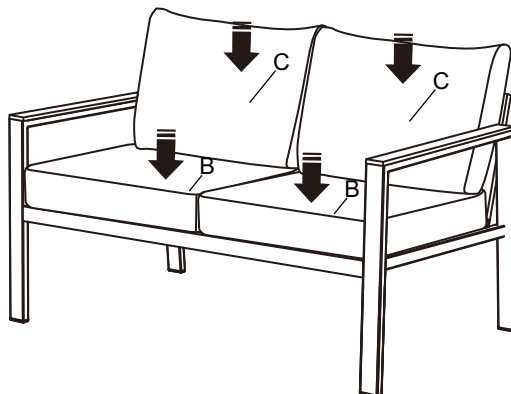
1

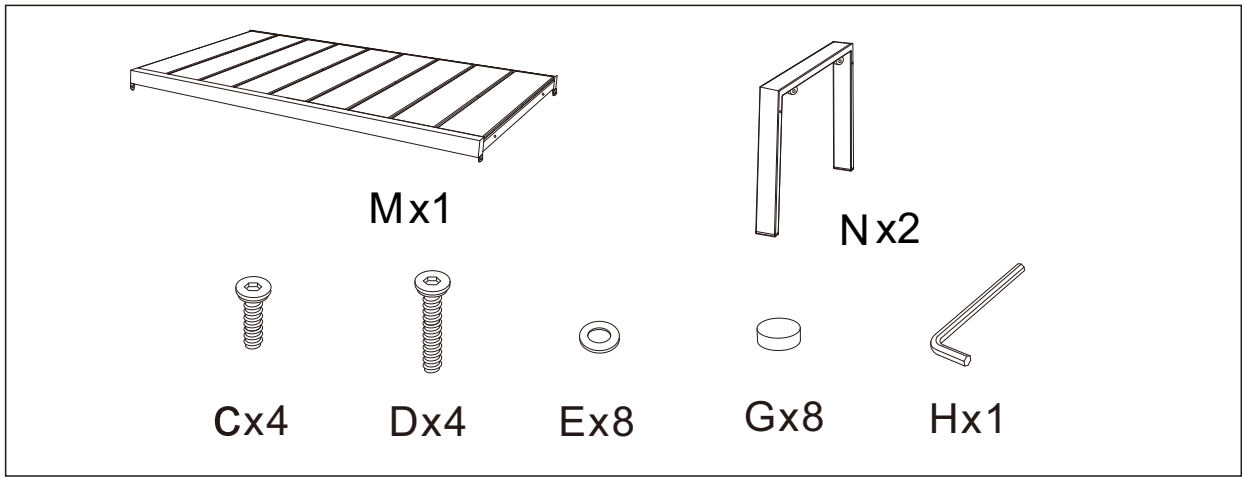
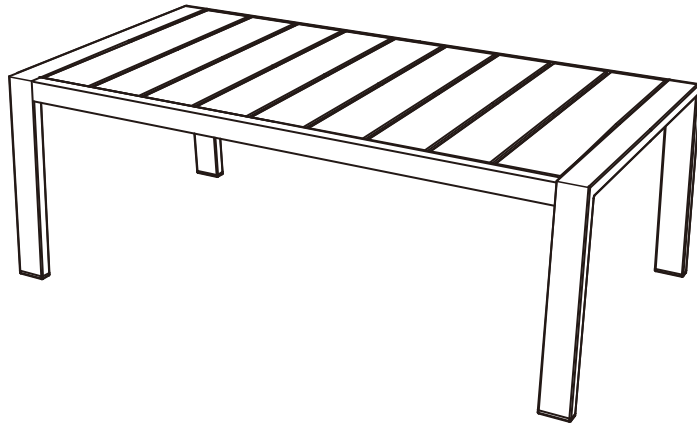


2

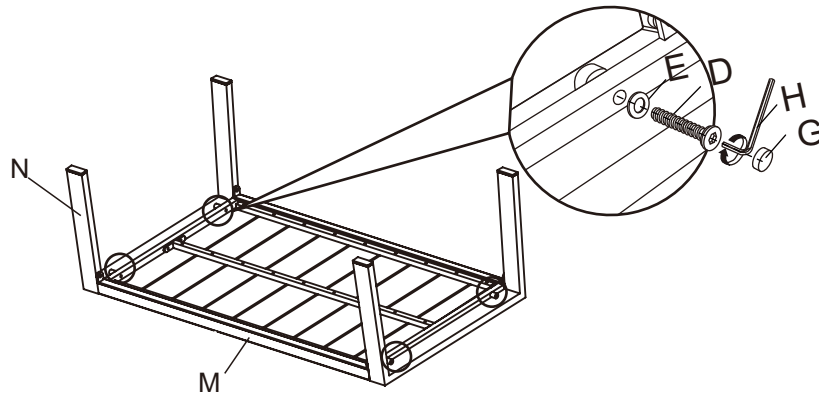


3





1



2

