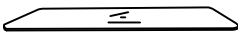


ASSEMBLING INSTRUCTION

1 X1PC



2 X1PC



3 X4PCS



A X12PCS



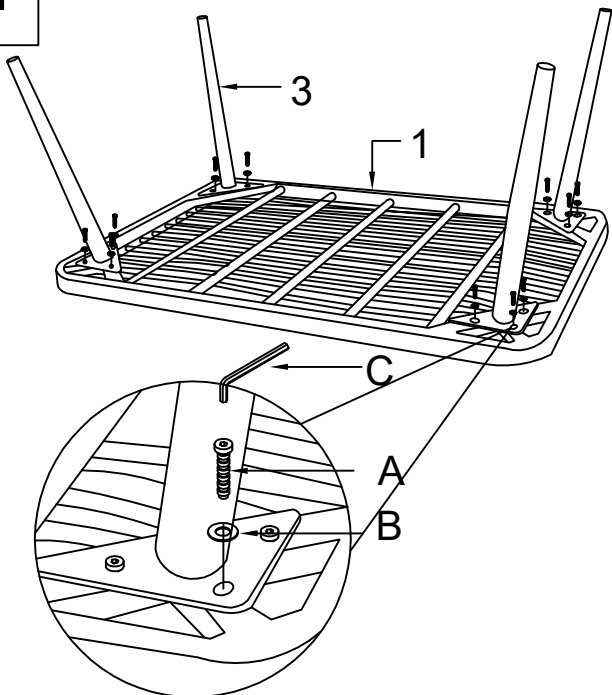
B X12PCS



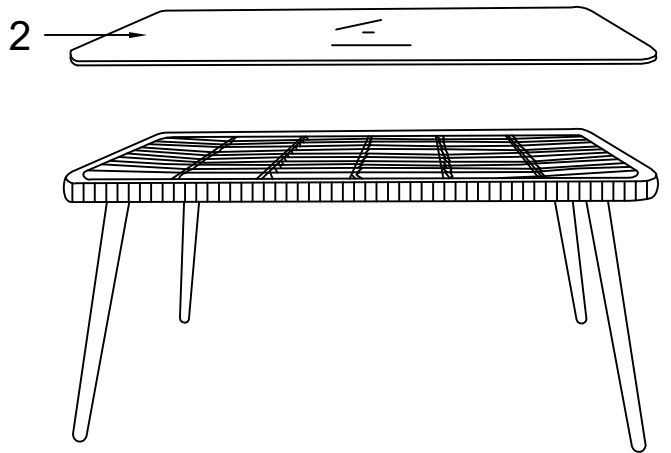
C X1PC



1



2



3

