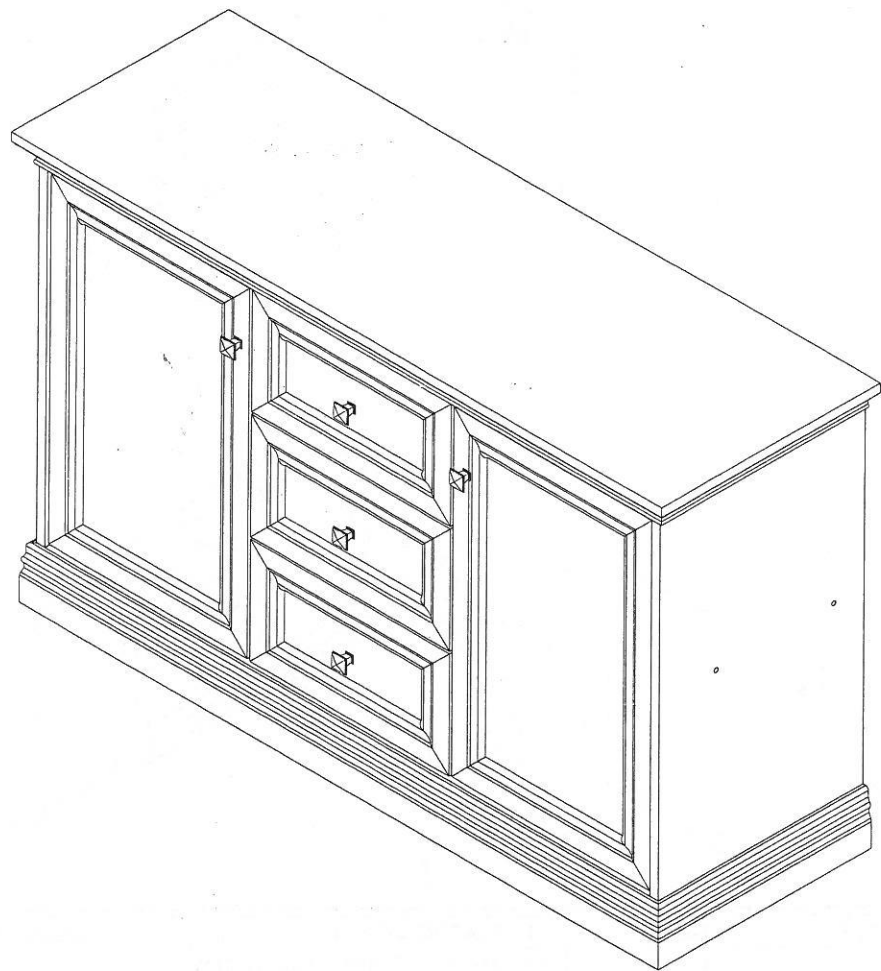


CAUTION:

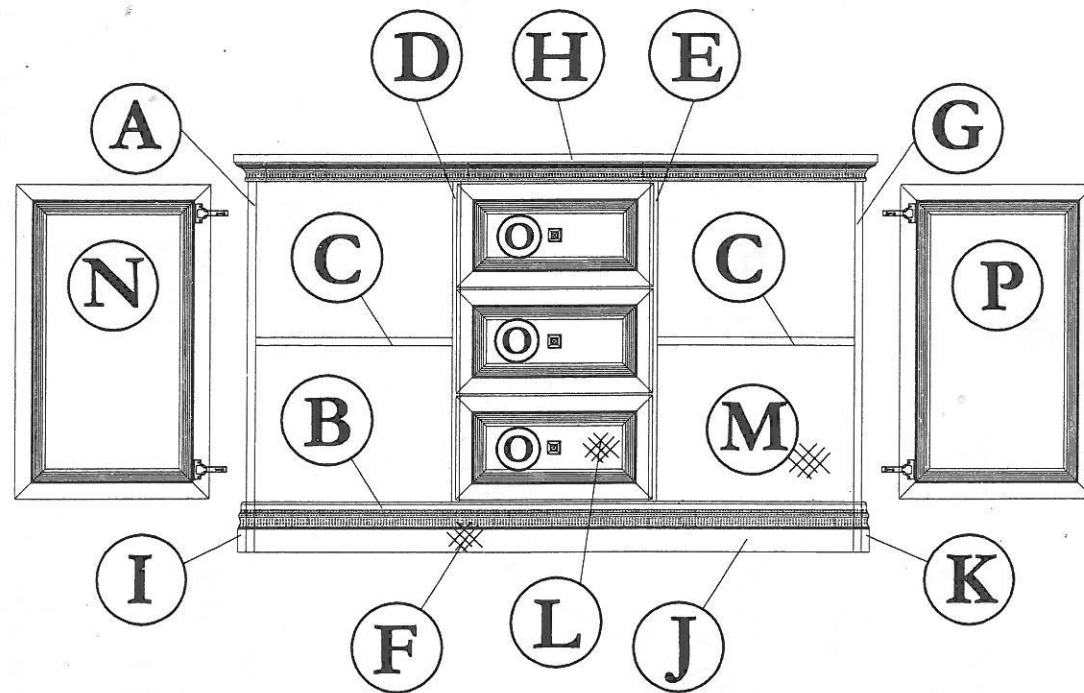
To clean use soft, dry cloth. Do not use detergent or chemicals
Avoid contact with water and direct sunlight.
To be assembled on a soft, dry, clean and smooth surface.



COMPLETE SET

ORDERING REPAIR PARTS

In order to obtain smooth and rapid service when ordering repair parts, please give full attention to the following of PART NUMBER.



| NO | DESCRIPTION | QTY |
|----|-----------------|-----|
| A | LEFT SIDE | 01 |
| B | LOWER SHELF | 01 |
| C | CENTRE SHELF | 02 |
| D | CENTRE VERTICAL | 01 |
| E | CENTRE VERTICAL | 01 |
| F | LEG | 02 |
| G | RIGHT SIDE | 01 |
| H | TOP | 01 |

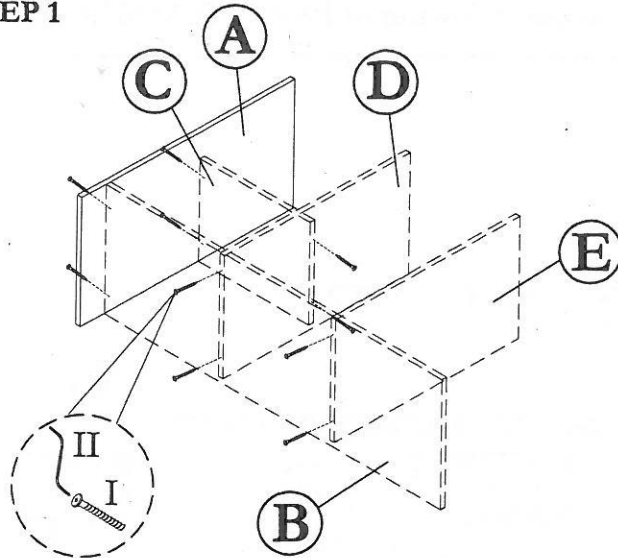
| NO | DESCRIPTION | QTY |
|----|---------------------|-----|
| I | LEFT SIDE WRAPPING | 01 |
| J | FRONT WRAPPING | 01 |
| K | RIGHT SIDE WRAPPING | 01 |
| L | BACK (Centre) | 01 |
| M | BACK (Left & Right) | 02 |
| N | LEFT SIDE DOOR | 01 |
| O | DRAWER FACE | 03 |
| P | RIGHT SIDE DOOR | 01 |

ASSEMBLY INSTRUCTION

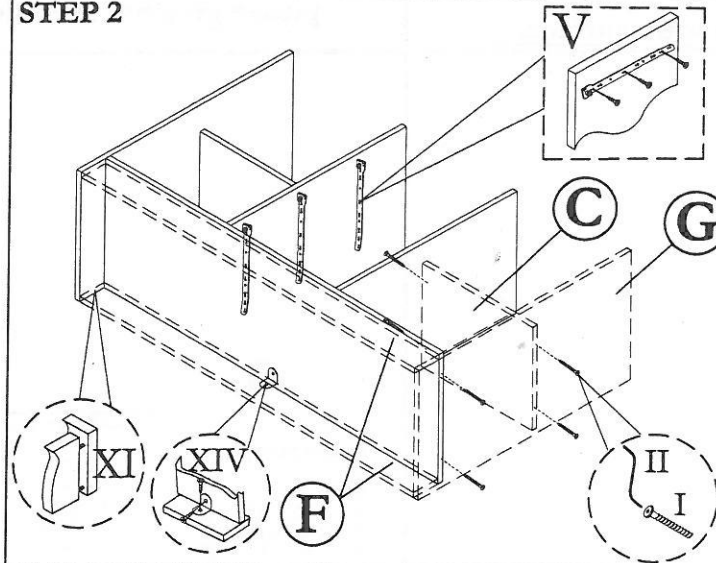
MODEL : 4117 / CHEST OF DRAWER

Before you begin, please follow assembly instruction carefully.
Then follow them step by step.

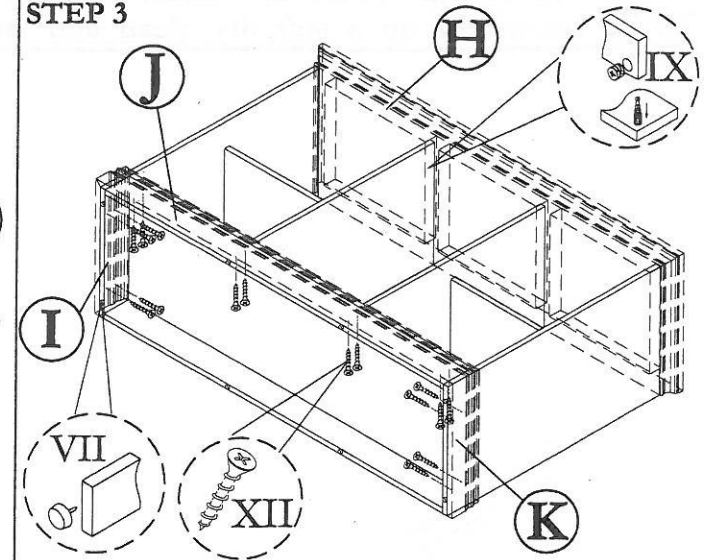
STEP 1



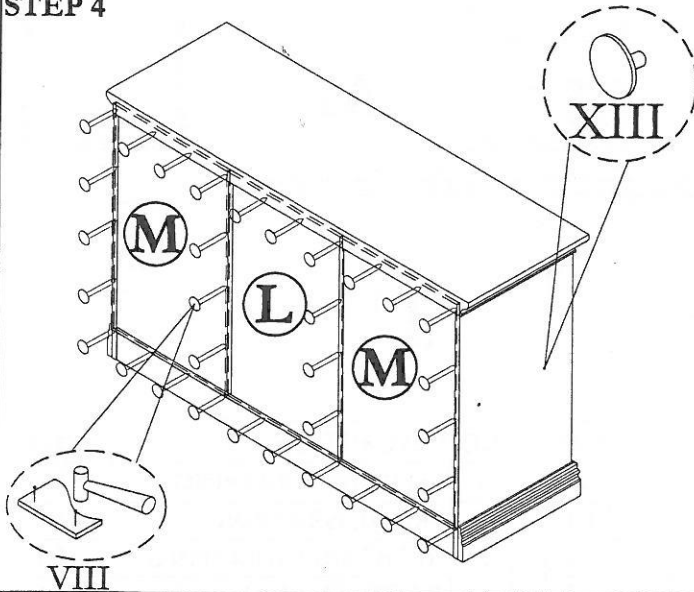
STEP 2



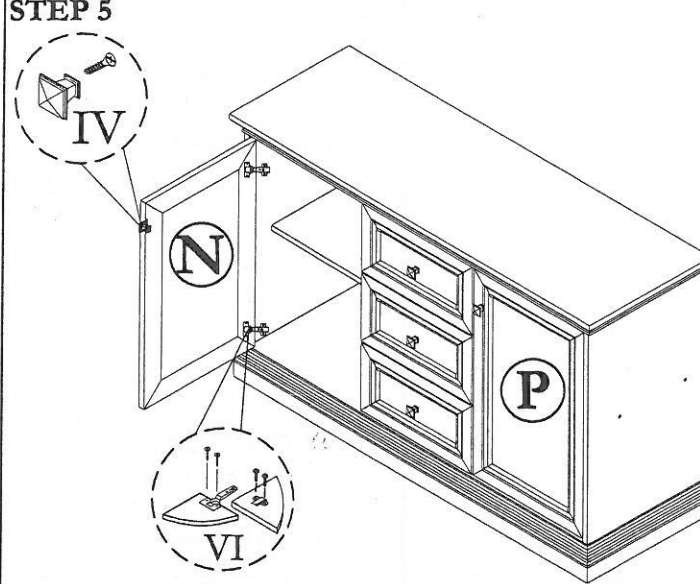
STEP 3



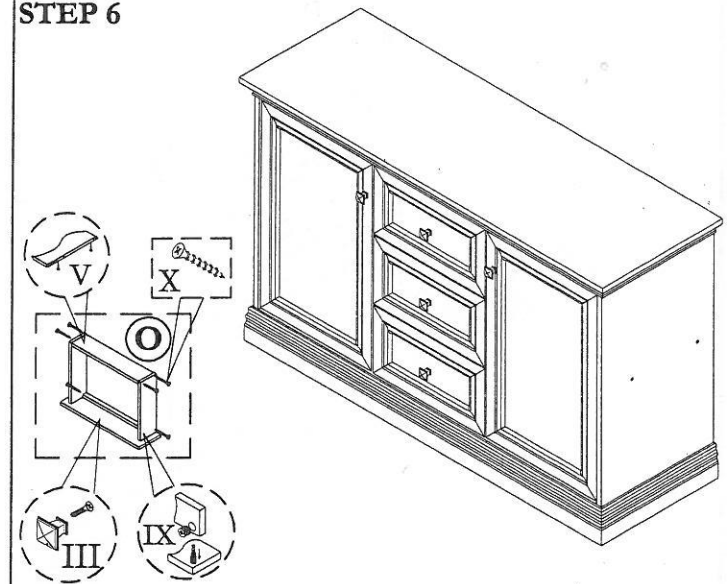
STEP 4



STEP 5



STEP 6



HARDWARE LIST

| NO | DESCRIPTION | QTY |
|-----|------------------------|-------|
| I | JCBCW SCREW M6 x 45 | 16pcs |
| II | M4 ALLEN KEY | 1pc |
| III | HANDLE & SCREW M4 x 12 | 3sets |
| IV | HANDLE & SCREW M4 x 22 | 2sets |

| | | |
|------|-------------------------------------|--------|
| V | 12" DRAWER SLIDER & SCREW M3.5 x 12 | 3sets |
| VI | HINGE (C) & SCREW M3.5 x 16 | 4sets |
| VII | PVC NAIL WITH PIN | 8pcs |
| VIII | NAIL | 60pcs |
| IX | Q-FIT | 20sets |
| X | M8 X 32 CHIPBOARD SCREW | 18pcs |

| | | |
|------|-----------------------------|-------|
| XI | PLASTIC DOWEL | 8pcs |
| XII | M4 x 25 CHIPBOARD SCREW | 16pcs |
| XIII | CAP SMALL | 4pcs |
| XIV | L BRACKET & SCREW M3.5 x 12 | 1sets |