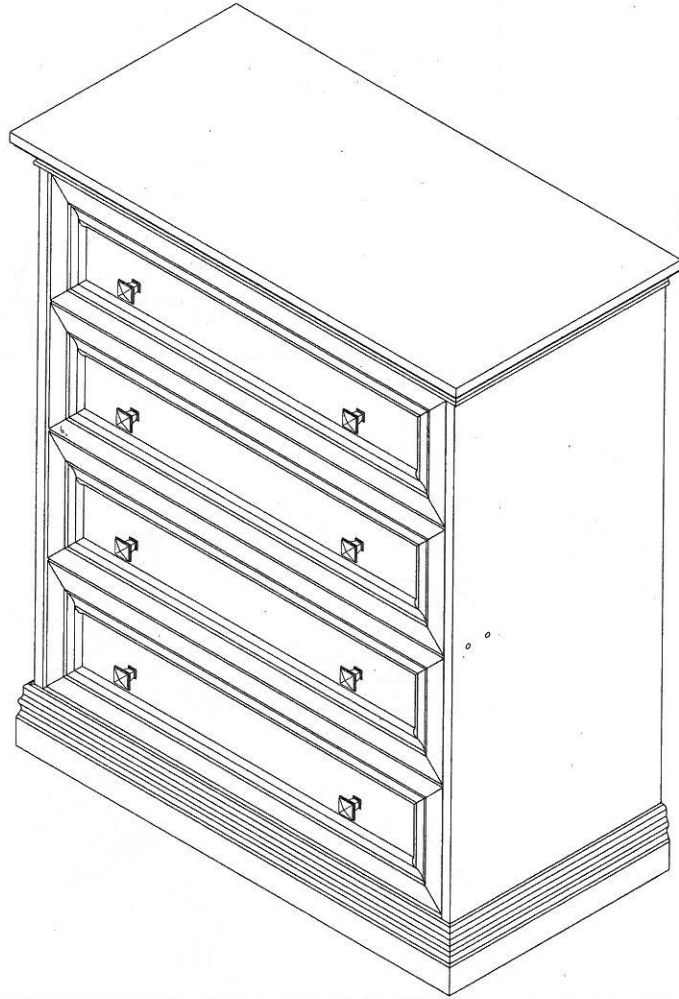


**CAUTION:**

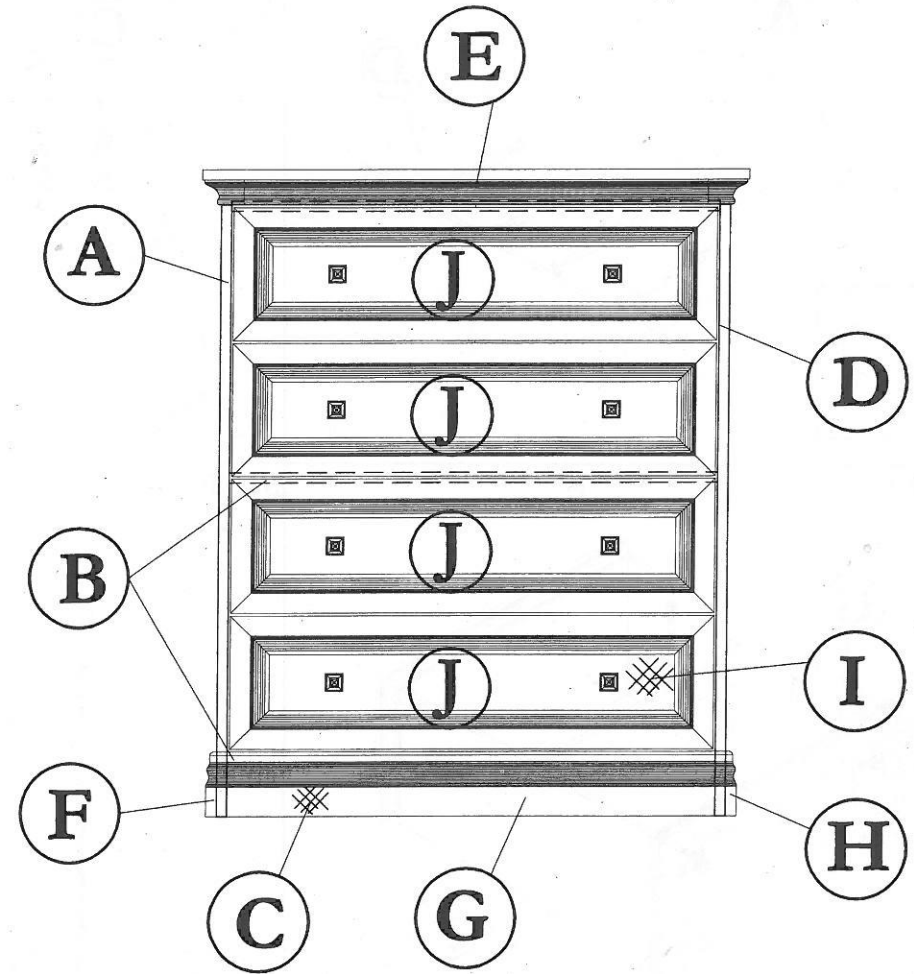
To clean use soft, dry cloth. Do not use detergent or chemicals  
Avoid contact with water and direct sunlight.  
To be assembled on a soft, dry, clean and smooth surface.



# COMPLETE SET

**ORDERING REPAIR PARTS**

In order to obtain smooth and rapid service when ordering repair parts,  
please give full attention to the following of PART NUMBER.



NO	DESCRIPTION	QTY
A	LEFT SIDE	01
B	HORIZONTAL SHELF	03
C	LEG	01
D	RIGHT SIDE	01
E	TOP	01

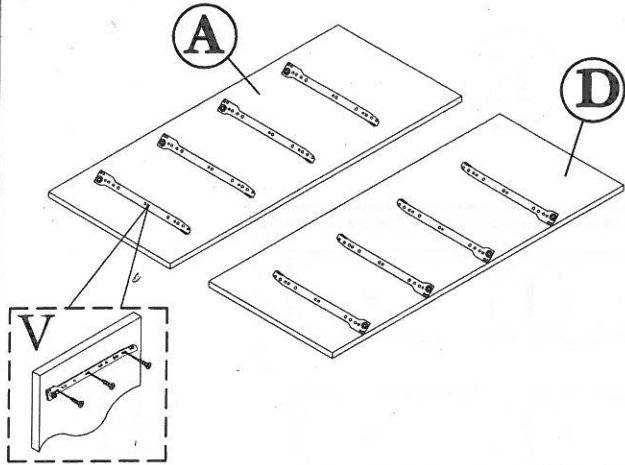
NO	DESCRIPTION	QTY
F	LEFT SIDE WRAPPING	01
G	FRONT WRAPPING	01
H	RIGHT SIDE WRAPPING	01
I	BACK	02
J	DRAWER FACE	04

# ASSEMBLY INSTRUCTION

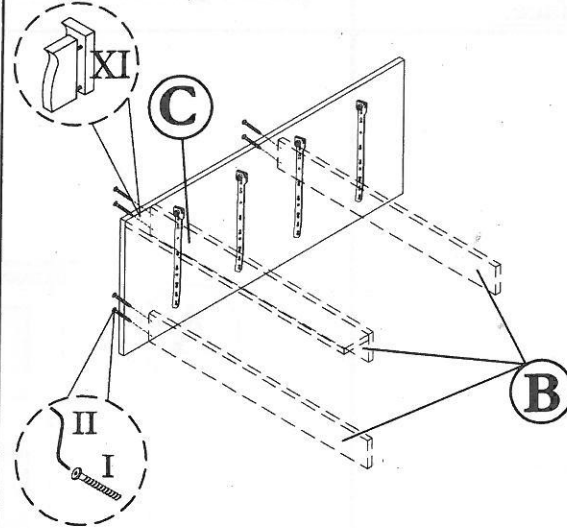
## MODEL : 4114 / CHEST OF DRAWER

Before you begin, please follow assembly instruction carefully.  
Then follow them step by step.

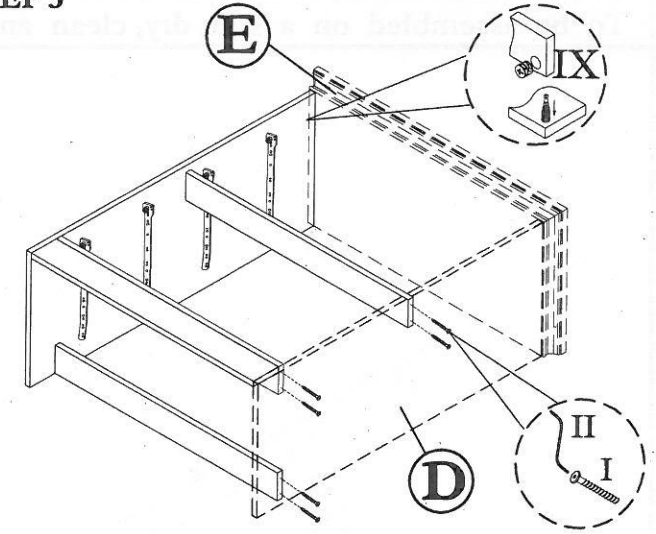
STEP 1



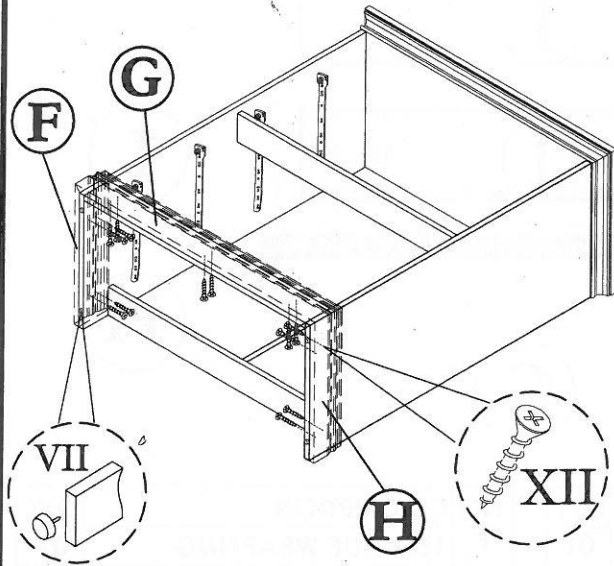
STEP 2



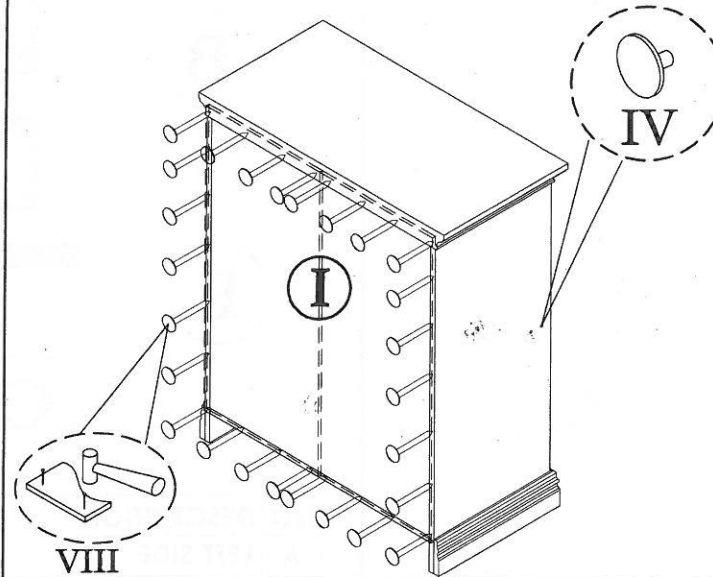
STEP 3



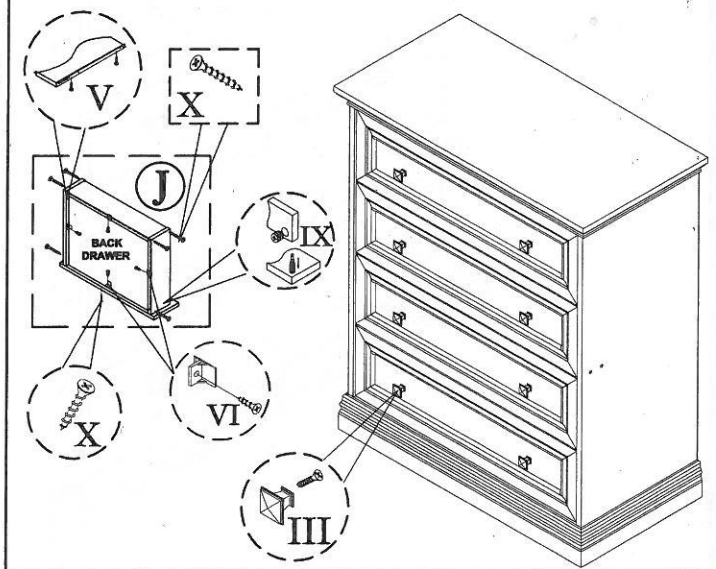
STEP 4



STEP 5



STEP 6



HARDWARE LIST			
NO	DESCRIPTION		QTY
I	JCBCW SCREW M6 x 45		12pcs
II	M4 ALLEN KEY		1pc
III	HANDLE & SCREW M4 x 12		8sets

IV	CAP SMALL		4pcs
V	12" DRAWER SLIDER & SCREW M3.5 x 12		4sets
VI	DRAWER SUPPORT & SCREW M3.5 x 12		16sets
VII	PVC NAIL WITH PIN		4pcs
VIII	NAIL		40pcs

IX	Q-FIT		20sets
X	M8 X 32 CHIPBOARD SCREW		24pcs
XI	PLASTIC DOWEL		4pcs
XII	M4 x 25 CHIPBOARD SCREW		18pcs