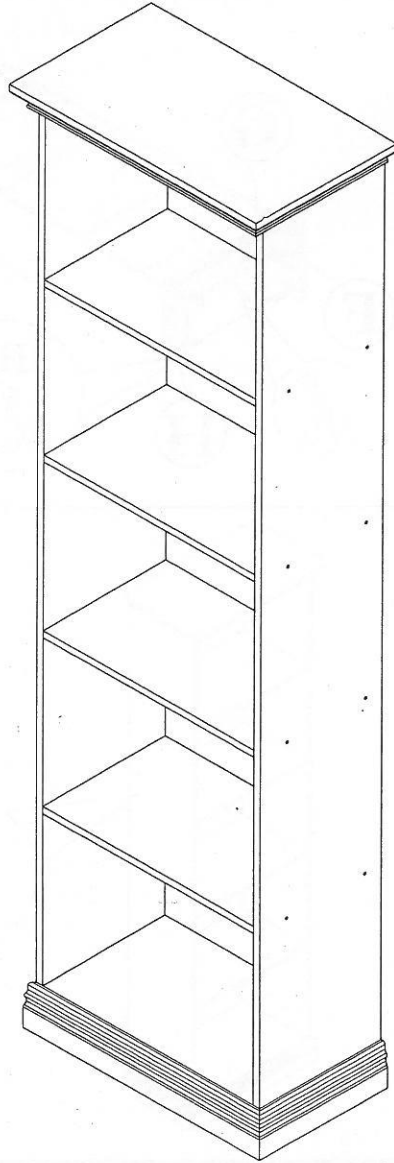


CAUTION:

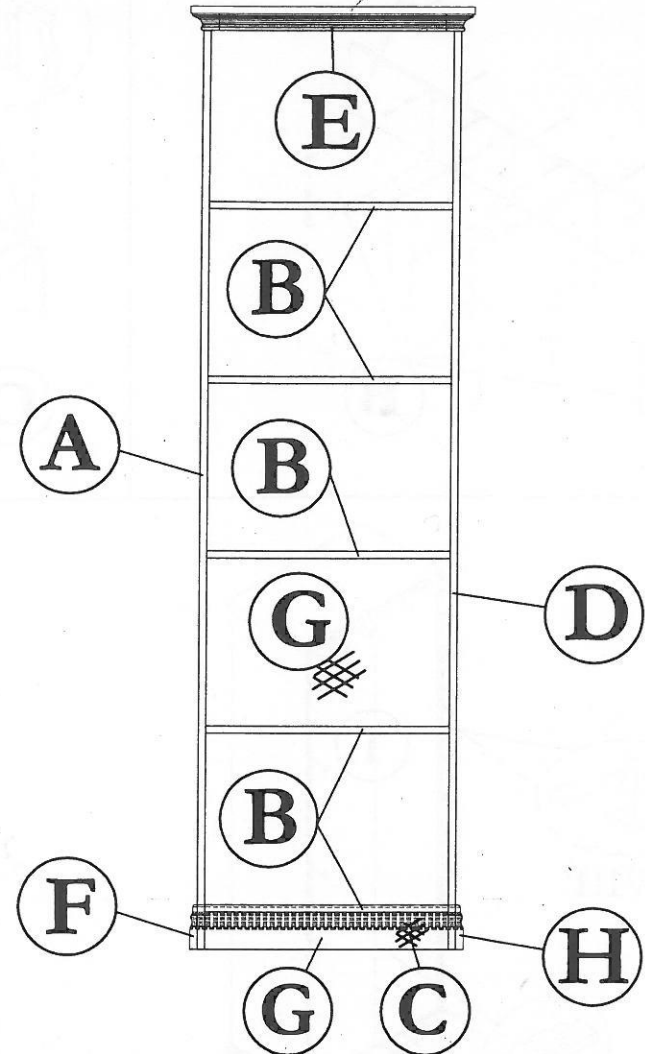
To clean use soft, dry cloth. Do not use detergent or chemicals
Avoid contact with water and direct sunlight.
To be assembled on a soft, dry, clean and smooth surface.



COMPLETE SET

ORDERING REPAIR PARTS

In order to obtain smooth and rapid service when ordering repair parts,
please give full attention to the following of PART NUMBER.



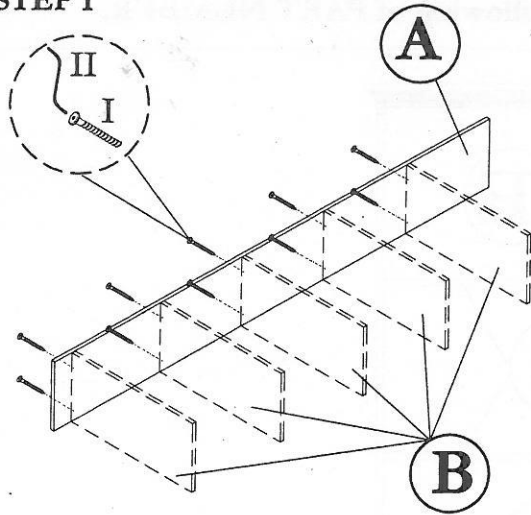
NO	DESCRIPTION	QTY
A	LEFT SIDE	01
B	SHELF	05
C	LEG	01
D	RIGHT SIDE	01
E	TOP	01

NO	DESCRIPTION	QTY
F	LEFT SIDE WRAPPING	01
G	FRONT WRAPPING	01
H	RIGHT SIDE WRAPPING	01
I	BACK	02

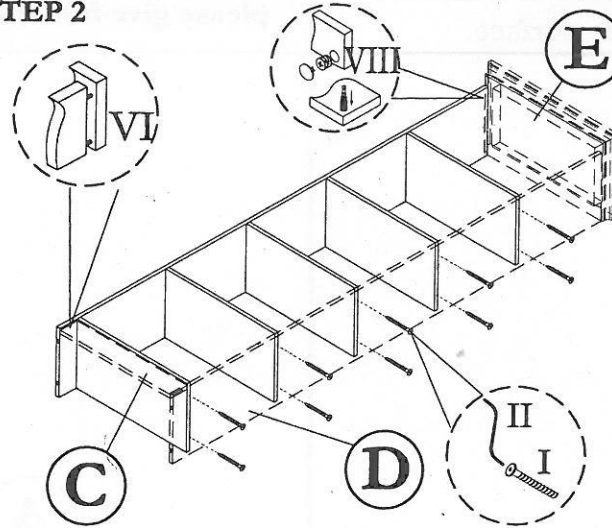
ASSEMBLY INSTRUCTION
MODEL : 1211 / BOOKCASE

Before you begin, please follow assembly instruction carefully.
 Then follow them step by step.

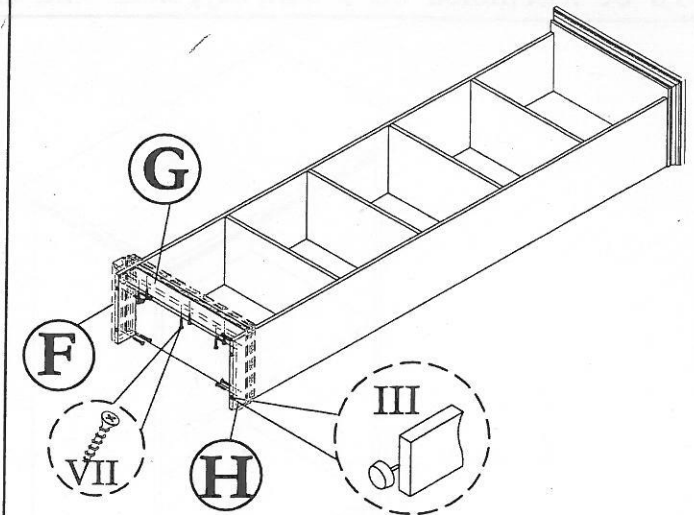
STEP 1



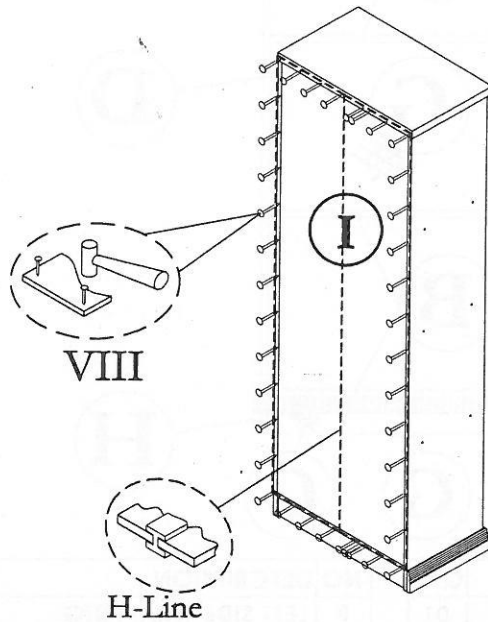
STEP 2



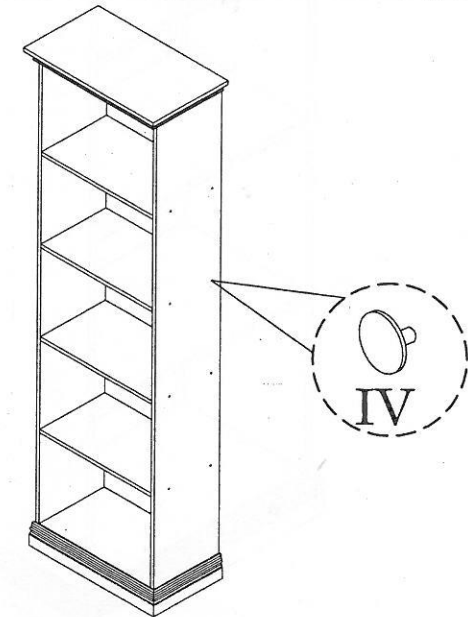
STEP 3



STEP 4



STEP 5



HARDWARE LIST

NO	DESCRIPTION	QTY
I	JCBCW SCREW M6 x 45	20pcs
II	M4 ALLEN KEY	1pc

III	PVC NAIL WITH PIN	4pcs
IV	CAP SMALL	16pcs
V	NAIL	50pcs
VI	M8 x 30 PLASTIC DOWEL	4pcs

VII	M4 x 25 CHIPBOARD SCREW	12pcs
VIII	Q-FIT	4sets