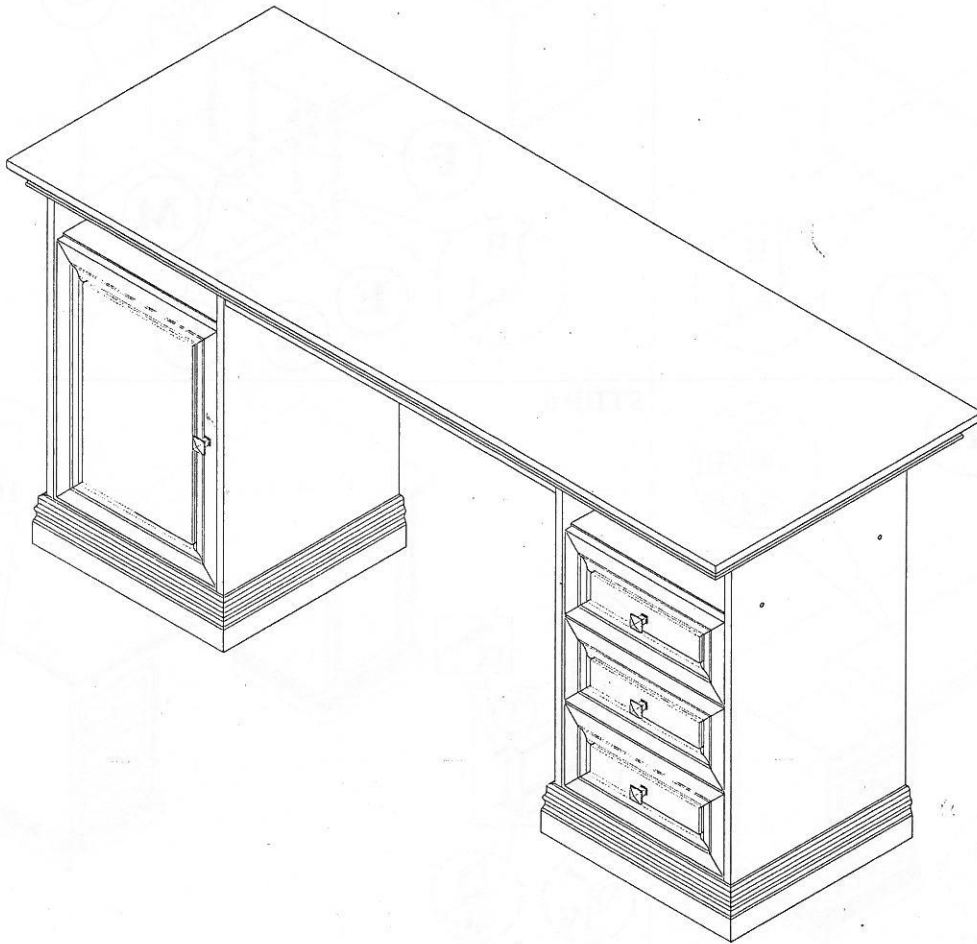


CAUTION:

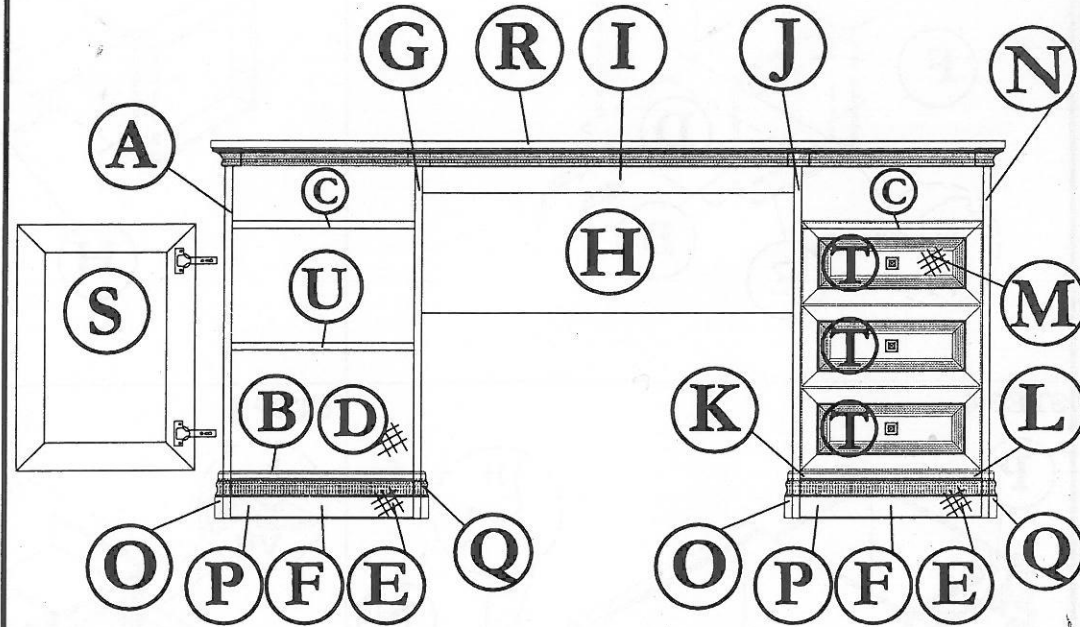
To clean use soft, dry cloth. Do not use detergent or chemicals
Avoid contact with water and direct sunlight.
To be assembled on a soft, dry, clean and smooth surface.



COMPLETE SET

ORDERING REPAIR PARTS

In order to obtain smooth and rapid service when ordering repair parts, please give full attention to the following of PART NUMBER.



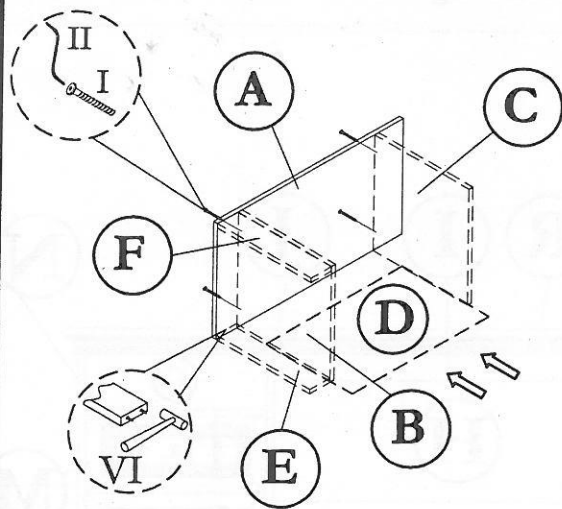
NO	DESCRIPTION	QTY
A	LEFT SIDE	01
B	LOWER SHELF	01
C	CENTRE SHELF	02
D	BACK (Left)	01
E	LEG (Back)	02
F	LEG (Front)	02
G	CENTRE VERTICAL	01
H	BACK SUPPORT	01
I	TOP SUPPORT	01
J	CENTRE VERTICAL	01

NO	DESCRIPTION	QTY
K	LOWER SHELF (Back)	01
L	LOWER SHELF (Front)	01
M	BACK (Right)	01
N	RIGHT SIDE	01
O	LEFT SIDE WRAPPING	02
P	FRONT WRAPPING	02
Q	RIGHT SIDE WRAPPING	02
R	TOP	01
S	DOOR	01
T	DRAWER FACE	03
U	MOVABLE SHELF	01

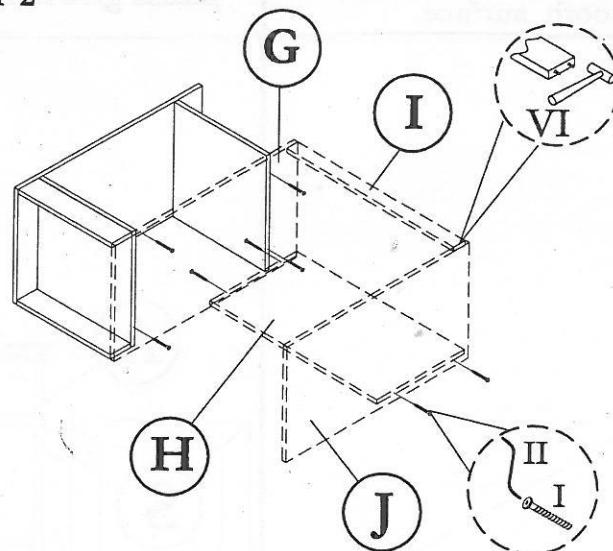
ASSEMBLY INSTRUCTION
MODEL : 6097 / OFFICE TABLE

Before you begin, please follow assembly instruction carefully.
 Then follow them step by step.

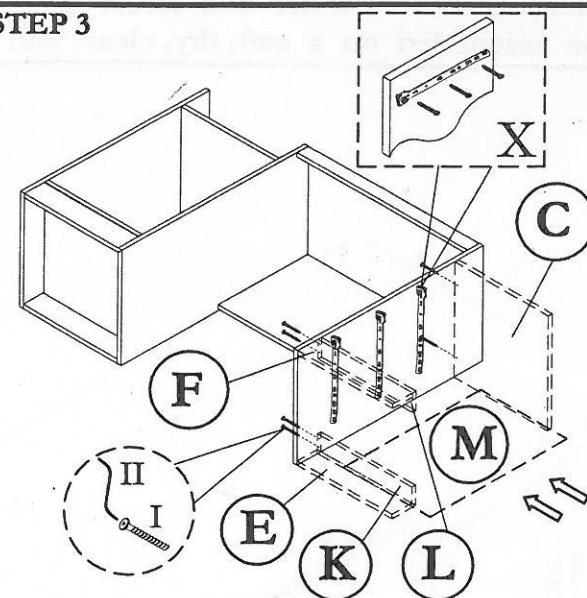
STEP 1



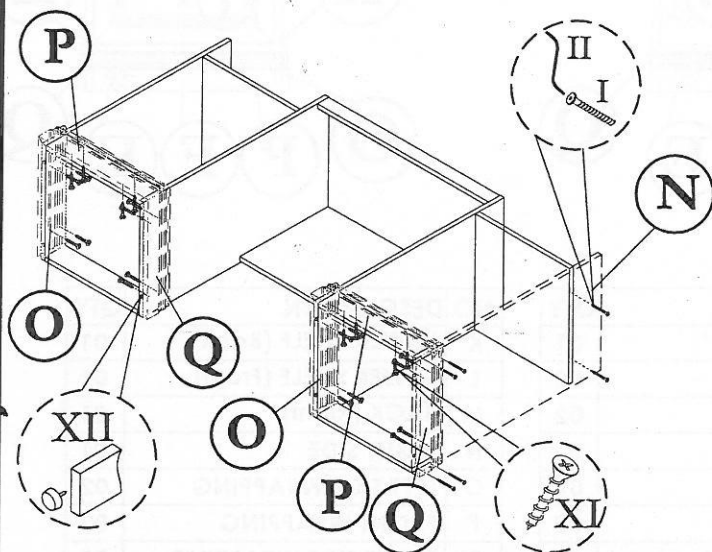
STEP 2



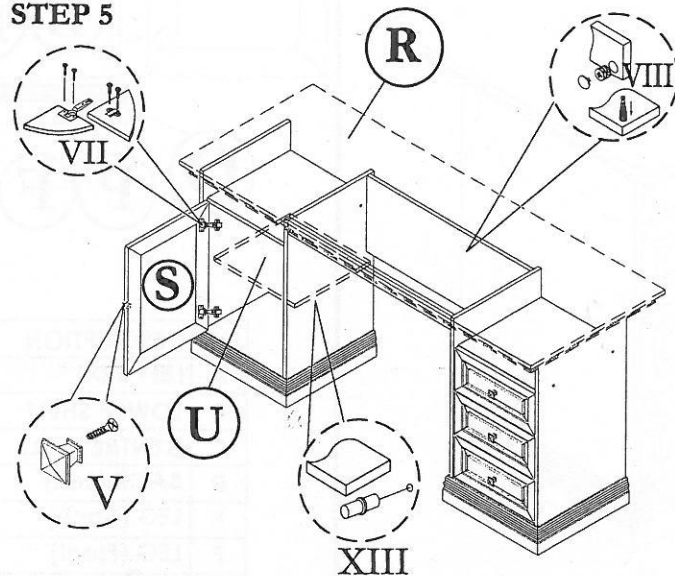
STEP 3



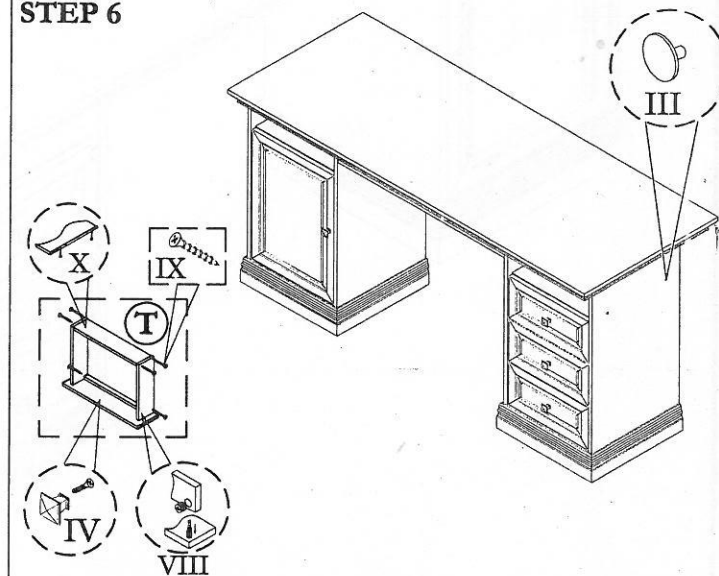
STEP 4



STEP 5



STEP 6



HARDWARE LIST			
NO	DESCRIPTION		QTY
I	JCBCW SCREW M6 x 45		24pcs
II	M4 ALLEN KEY		1pc
III	CAP SMALL		10pcs

IV	HANDLE & SCREW M4 x 12		3sets
V	HANDLE & SCREW M4 x 22		1sets
VI	M8 x 30 PLASTIC DOWEL		20pcs
VII	HINGE (C) & SCREW M3.5 x 16		2sets
VIII	Q-FIT		20sets

IX	M8 x 32 CHIPBOARD SCREW		18pcs
X	12" DRAWER SLIDER & SCREW M3.5 x 12		3sets
XI	M4 x 25 CHIPBOARD SCREW		24pcs
XII	PVC NAIL WITH PIN		8pcs
XIII	SHELF SUPPORT		4pcs