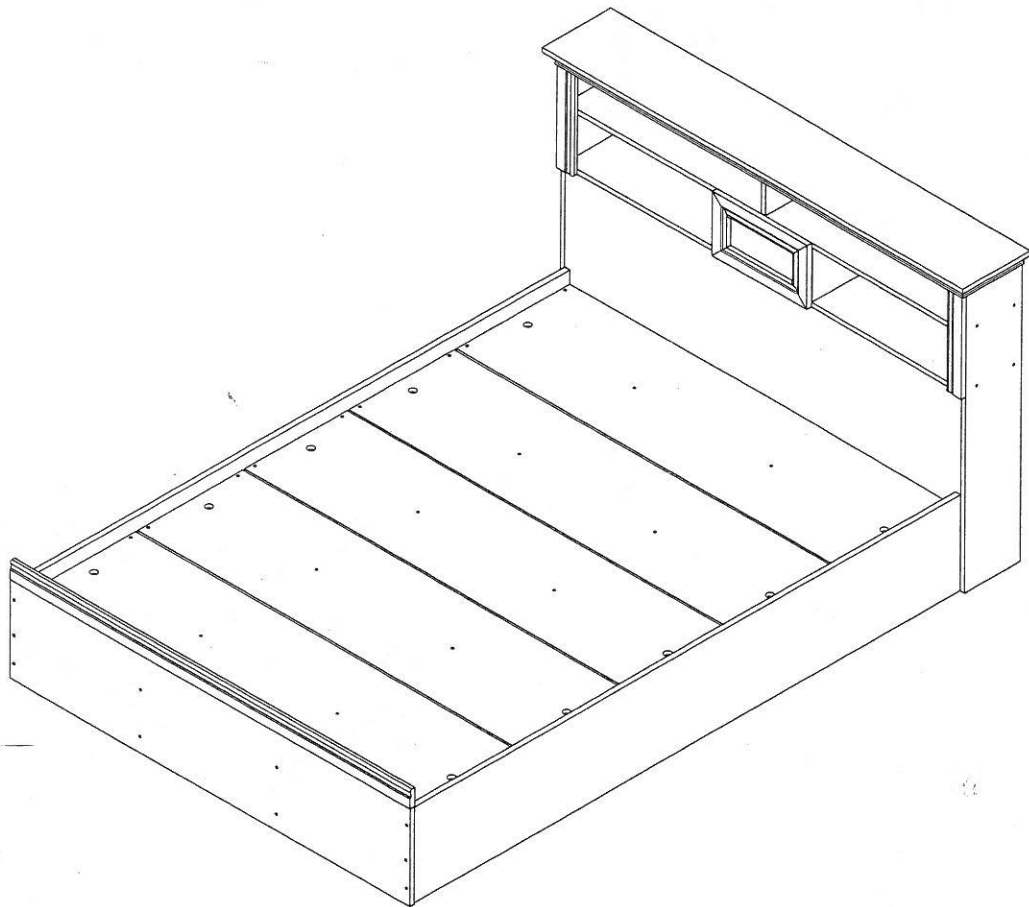


**CAUTION:**

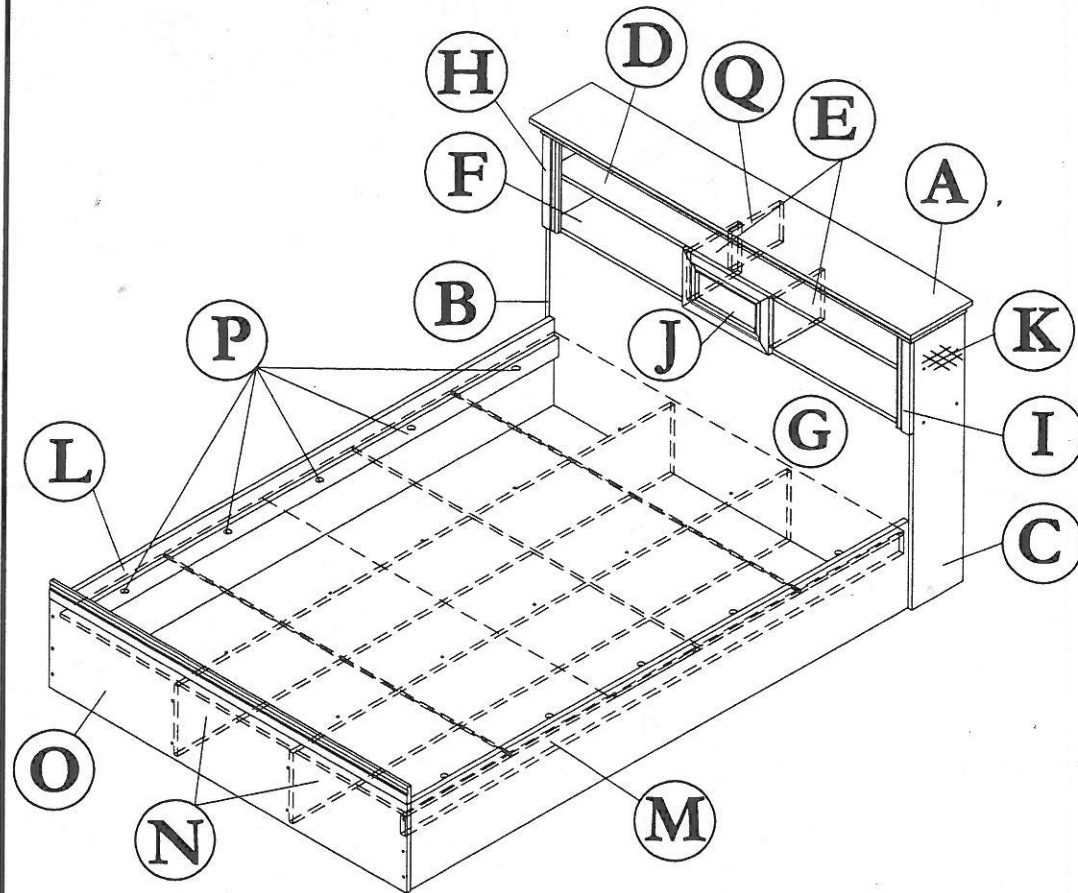
To clean use soft, dry cloth. Do not use detergent or chemicals  
Avoid contact with water and direct sunlight.  
To be assembled on a soft, dry, clean and smooth surface.



# COMPLETE SET

**ORDERING REPAIR PARTS**

In order to obtain smooth and rapid service when ordering repair parts, please give full attention to the following of PART NUMBER.



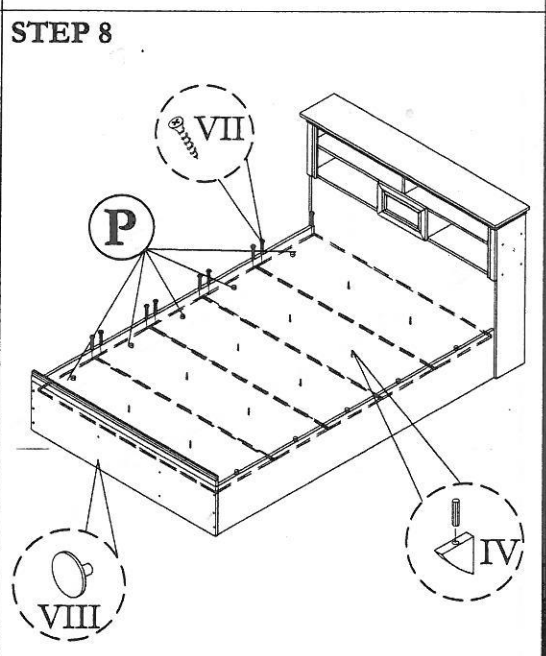
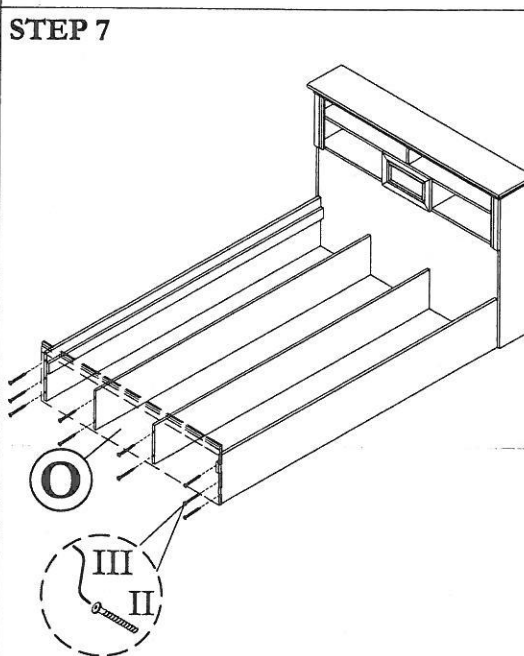
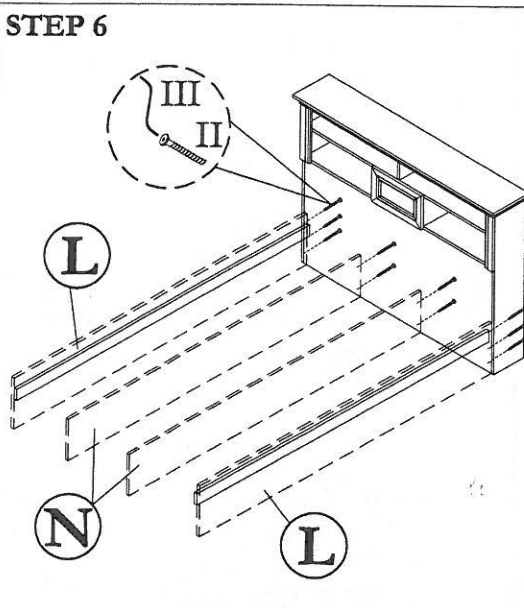
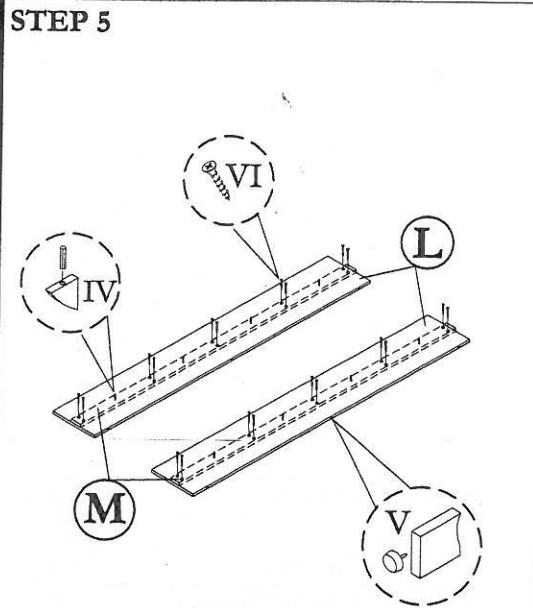
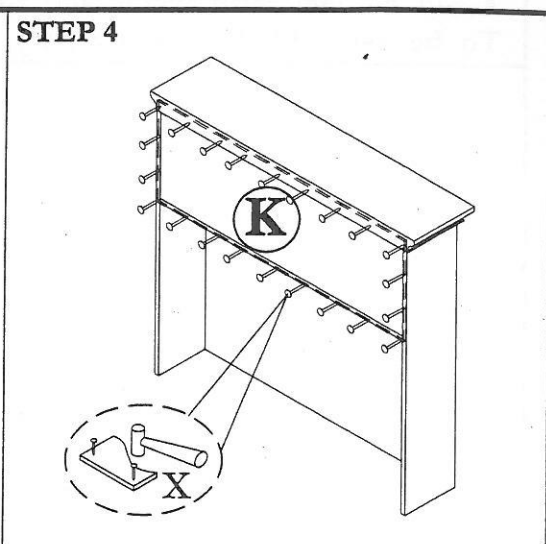
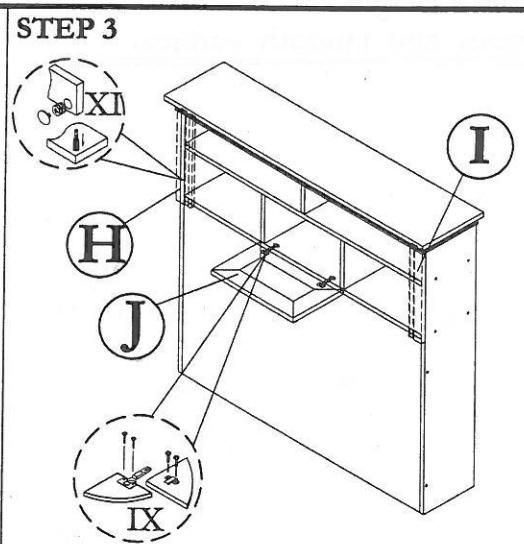
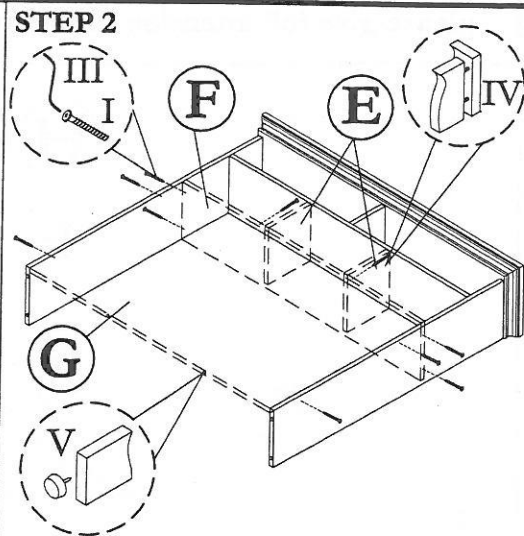
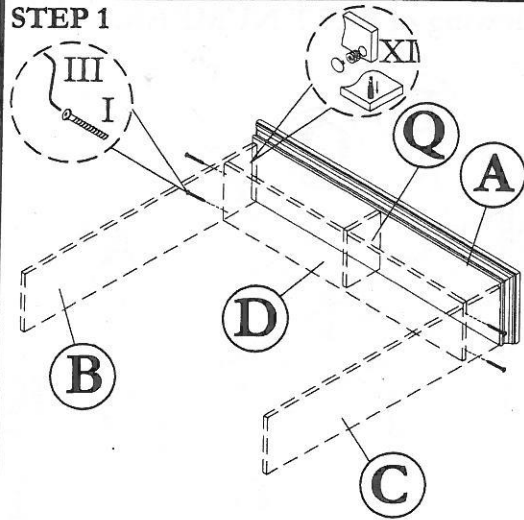
NO	DESCRIPTION	QTY
A	TOP (Head)	01
B	LEFT SIDE (Head)	01
C	RIGHT SIDE (Head)	01
D	CENTRE SHELF (Head)	01
E	CENTRE VERTICAL (Head)	02
F	CENTRE SHELF (Head)	01
G	BACK VERTICAL (Head)	01
H	LEFT SIDE WRAPPING	01
I	RIGHT SIDE WRAPPING	01

J	DOOR	01
K	BACK (Head)	01
L	SIDE SUPPORT (Body)	02
M	SIDE (Body)	02
N	CENTRE VERTICAL (Body)	02
O	FRONT VERTICAL (Body)	01
P	DECORATIVE BOARD	05
Q	CENTRE VERTICAL (Head)	01

# ASSEMBLY INSTRUCTION

## MODEL : 4883 DB (1600 x 2000) / DOUBLE BED

Before you begin, please follow assembly instruction carefully.  
Then follow them step by step.



HARDWARE LIST			
NO	DESCRIPTION		QTY
I	JCBCW SCREW M6 x 45		14pcs
II	JCBCW SCREW M6 x 60		20pcs
III	M4 ALLEN KEY		1pc

IV	M8 x 30 PLASTIC DOWEL		30pcs
V	PVC NAIL WITH PIN		22pcs
VI	M3.5 x 30 CHIPBOARD SCREW		20pcs
VII	M4 x 25 CHIPBOARD SCREW		20pcs
VIII	CAP SMALL		24pcs

IX	HINGE (A) & SCREW M3.5 x 16		2sets
X	NAIL		30pcs
XI	Q-FIT		8sets