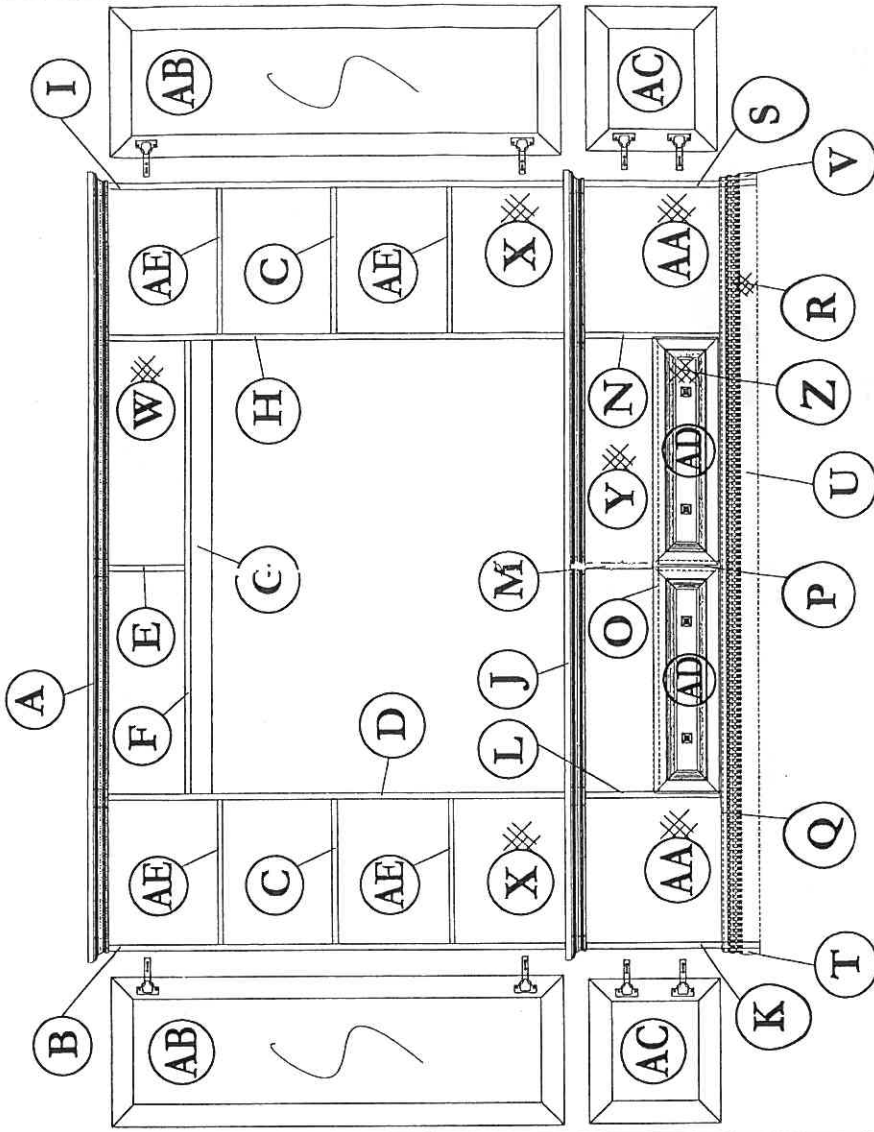
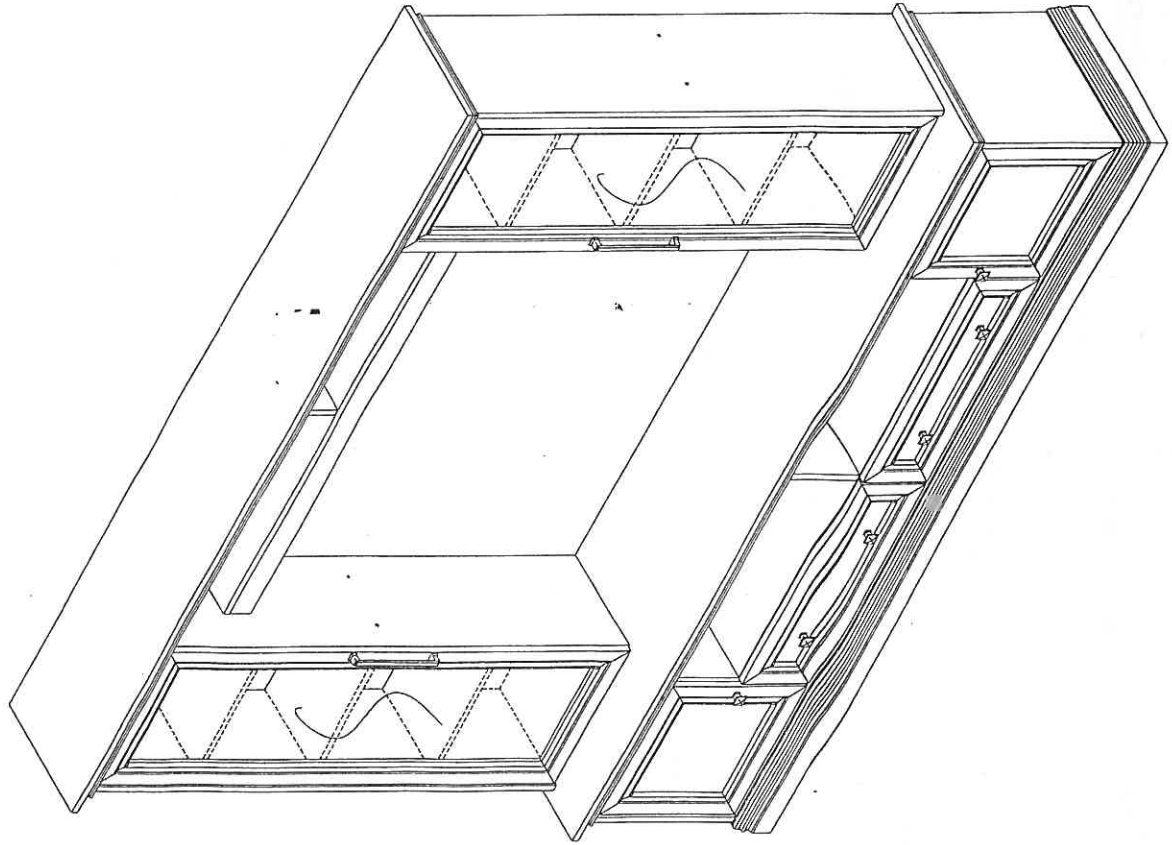


CAUTION:

To clean use soft, dry cloth. Do not use detergent or chemicals
 Avoid contact with water and direct sunlight.
 To be assembled on a soft, dry, clean and smooth surface.

ORDERING REPAIR PARTS

In order to obtain smooth and rapid service when ordering repair parts,
 please give full attention to the following of PART NUMBER.



NO	DESCRIPTION	QTY
A	TOP (Top)	01
B	LEFT SIDE (Top)	01
C	CENTRE SHELF (Top)	02
D	CENTRE VERTICAL (Top)	01
E	CENTRE VERTICAL (Top)	01
F	CENTRE SHELF (Top)	01
G	CENTRE SHELF SUPPORT (Top)	01
H	CENTRE VERTICAL (Top)	01
I	RIGHT SIDE (Top)	01
J	TOP (Bottom)	01
K	LEFT SIDE (Bottom)	01

NO	DESCRIPTION	QTY
L	CENTRE VERTICAL (Bottom)	01
M	CENTRE VERTICAL (Bottom)	01
N	CENTRE VERTICAL (Bottom)	01
O	CENTRE SHELF (Bottom)	01
P	CENTRE VERTICAL (Bottom)	01
Q	LOWER SHELF (Bottom)	01
R	LEG	02
S	RIGHT SIDE (Bottom)	01
T	LEFT SIDE WRAPPING	01
U	FRONT WRAPPING	01
V	RIGHT SIDE WRAPPING	01

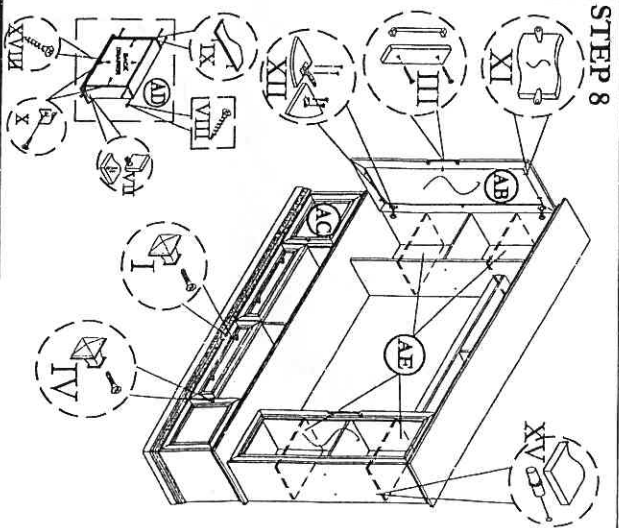
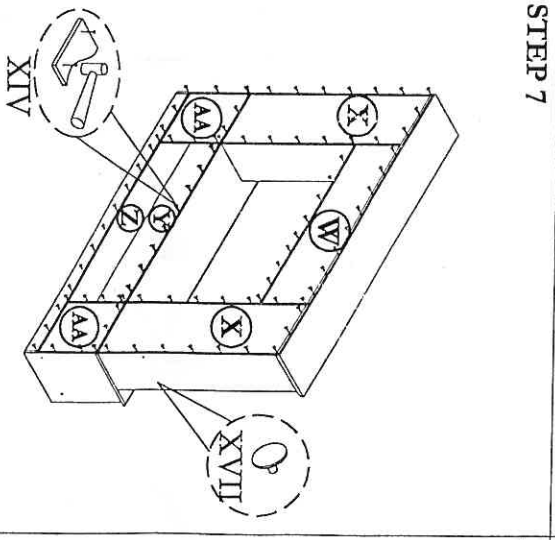
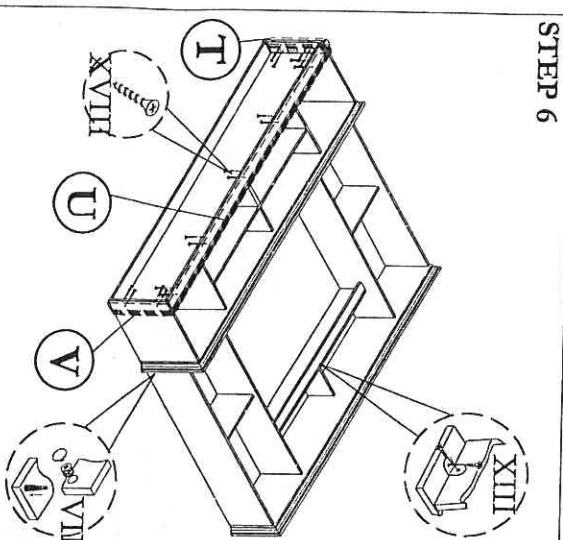
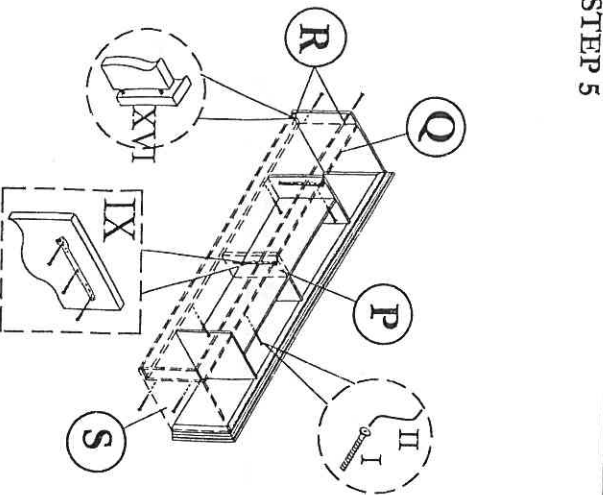
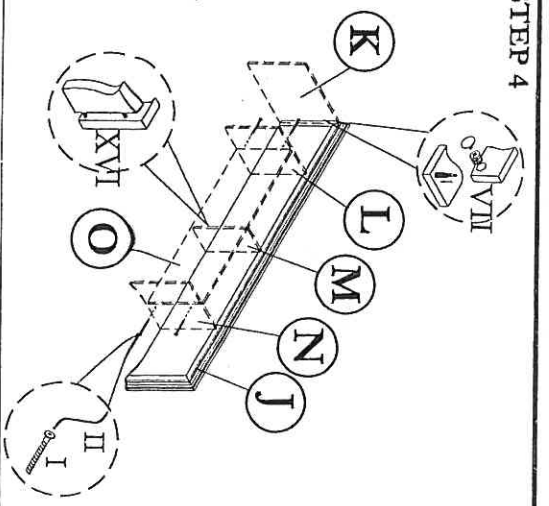
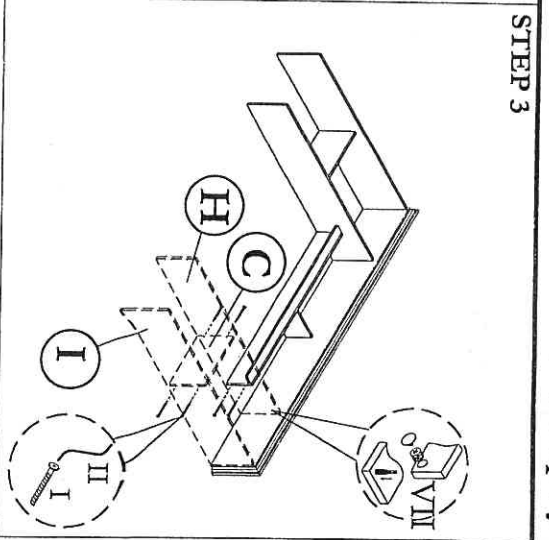
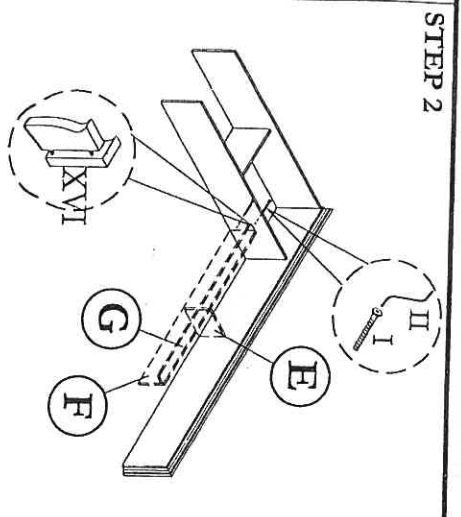
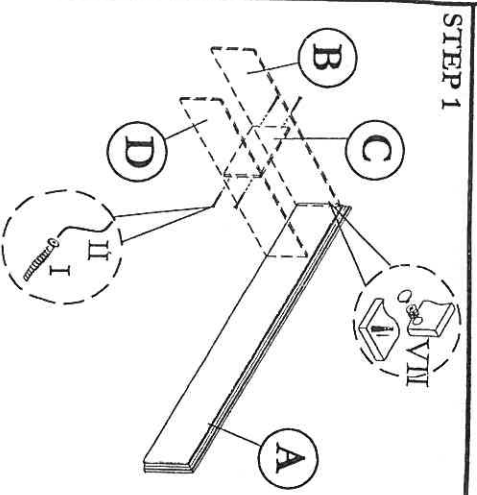
NO	DESCRIPTION	QTY
W	BACK (Top)	01
X	BACK (Top)	02
Y	BACK (Bottom)	01
Z	BACK (Bottom)	01
AA	BACK (Bottom)	02
AB	DOOR (Top)	02
AC	DOOR (Bottom)	02
AD	DRAWER FACE	02
AE	MOVABLE SHELF	04

COMPLETE SET

ASSEMBLY INSTRUCTION

MODEL : 8265 / TV CABINET

Before you begin, please follow assembly instruction carefully. Then follow them step by step.



HARDWARE LIST		
NO	DESCRIPTION	QTY
I	JBCW SCREW M6 X 45	28pcs
II	M4 ALLEN KEY	1pc
III	HANDLE & SCREW M4 X 22	2sets
IV	HANDLE & SCREW M4 X 22	2sets
V	HANDLE & SCREW M4 X 12	4sets

VI	PVC NAIL WITH PIN	10pcs
VII	Q-FIT	32sets
VIII	M8 X 32 CHIPBOARD SCREW	12pcs
IX	12" DRAWER SLIDER & SCREW M3.5 X 12	2sets
X	DRAWER SUPPORT & SCREW M3.5 X 12	8sets
XI	PE CLIP & SCREW M3.5 X 16	12sets
XII	HINGE (C) & SCREW M3.5 X 16	8sets

XIII	L BRACKET & SCREW M3.5 X 12	1sets
XIV	NAIL	100pcs
XV	SHELF SUPPORT	16pcs
XVI	M8 x 30 PLASTIC DOWEL	24pcs
XVII	CAP SMALL	8pcs
XVIII	M4 x 25 CHIPBOARD SCREW	20pcs