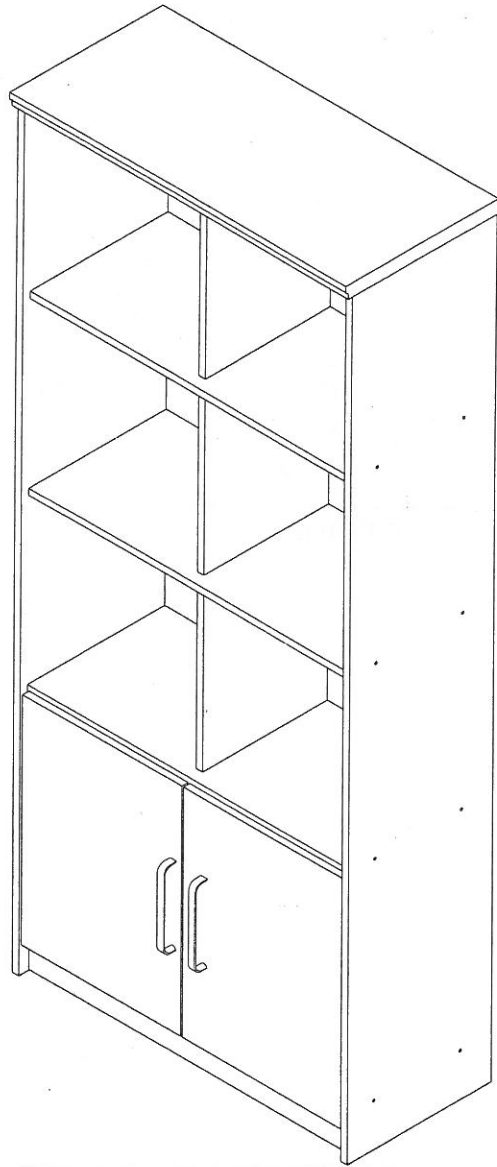


**CAUTION:**

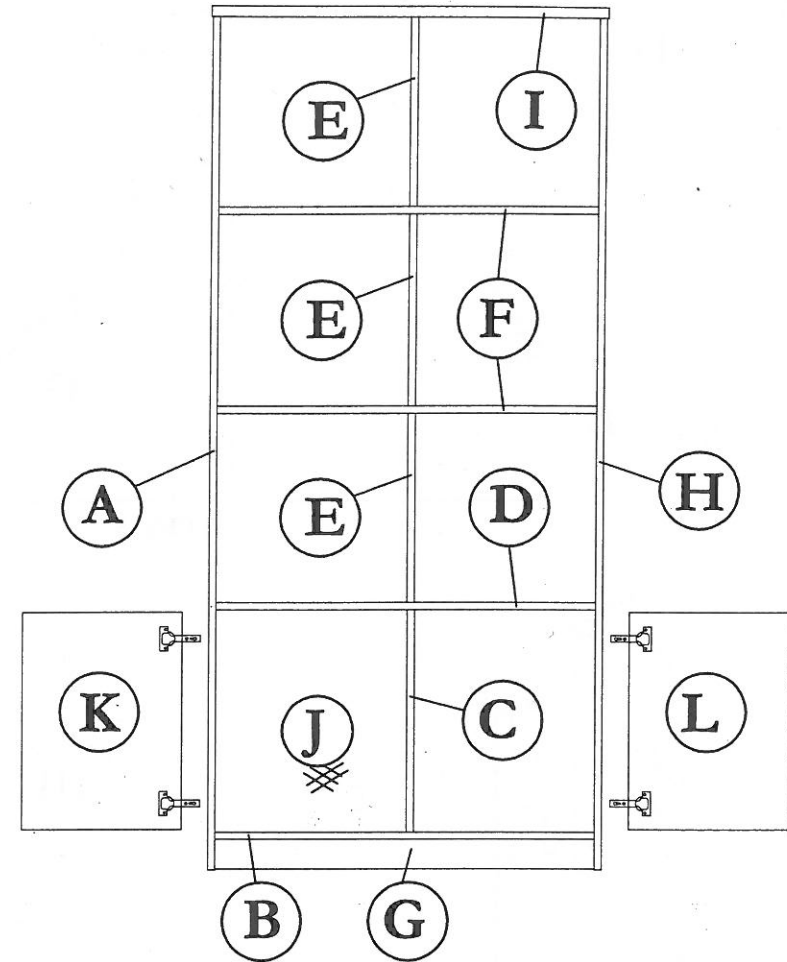
To clean use soft, dry cloth. Do not use detergent or chemicals  
 Avoid contact with water and direct sunlight.  
 To be assembled on a soft, dry, clean and smooth surface.



# COMPLETE SET

**ORDERING REPAIR PARTS**

In order to obtain smooth and rapid service when ordering repair parts,  
 please give full attention to the following of PART NUMBER.



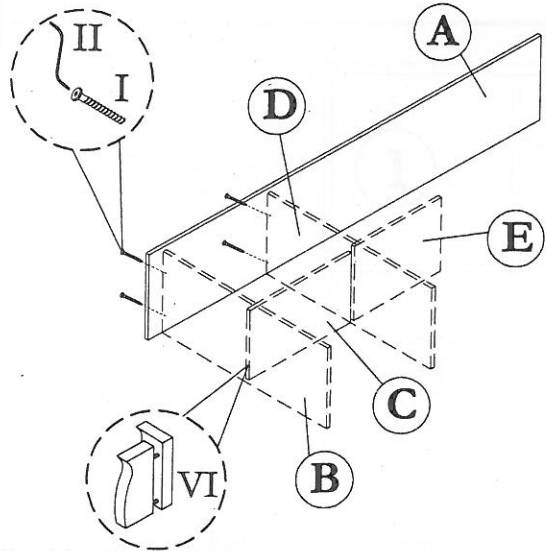
NO	DESCRIPTION	QTY
A	LEFT SIDE	01
B	LOWER SHELF	01
C	CENTRE VERTICAL (Bottom)	01
D	CENTRE SHELF	01
E	CENTRE VERTICAL	03
F	CENTRE SHELF	02

NO	DESCRIPTION	QTY
G	LEG	02
H	RIGHT SIDE	01
I	TOP	01
J	BACK	02
K	LEFT SIDE DOOR	01
L	RIGHT SIDE DOOR	01

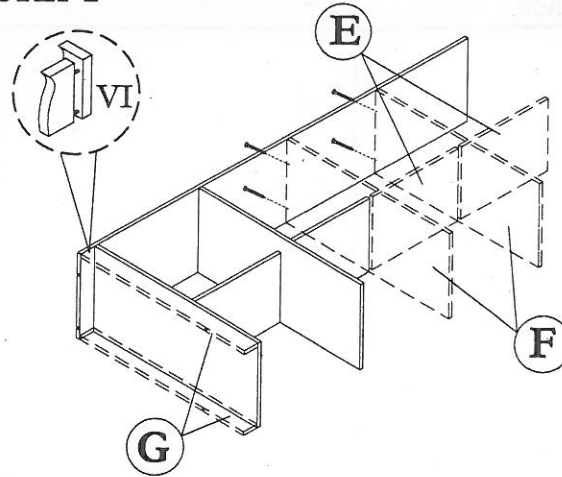
**ASSEMBLY INSTRUCTION**  
**MODEL : 1186-PK / BOOKCASE**

Before you begin, please follow assembly instruction carefully.  
 Then follow them step by step.

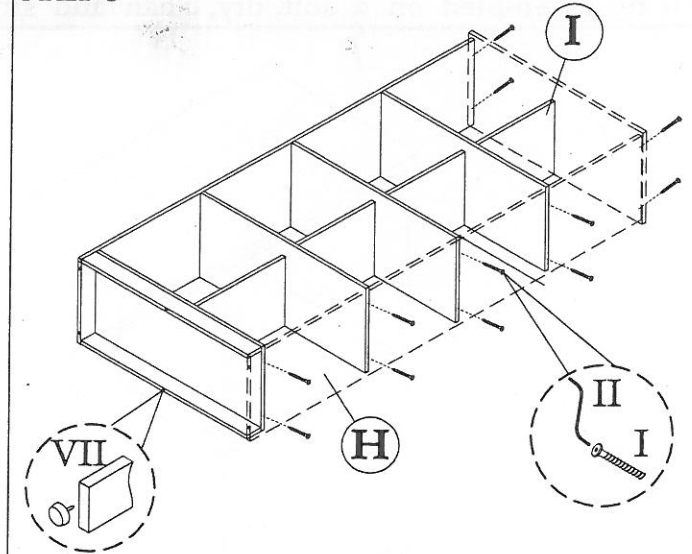
**STEP 1**



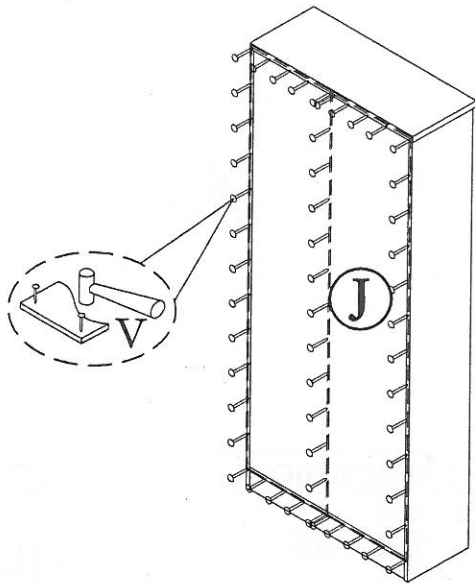
**STEP 2**



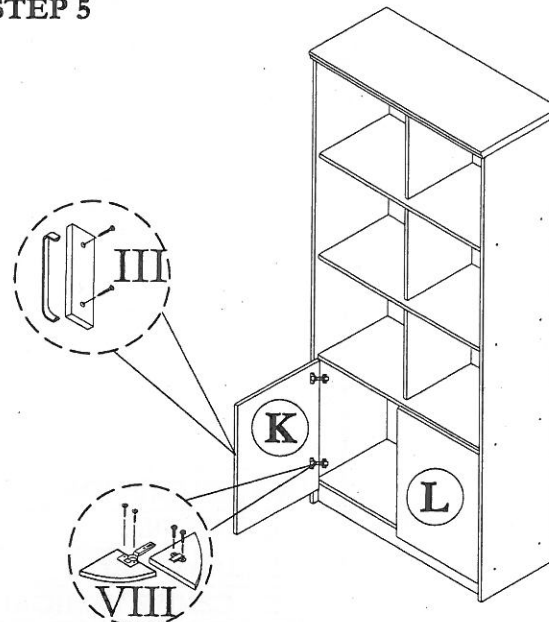
**STEP 3**



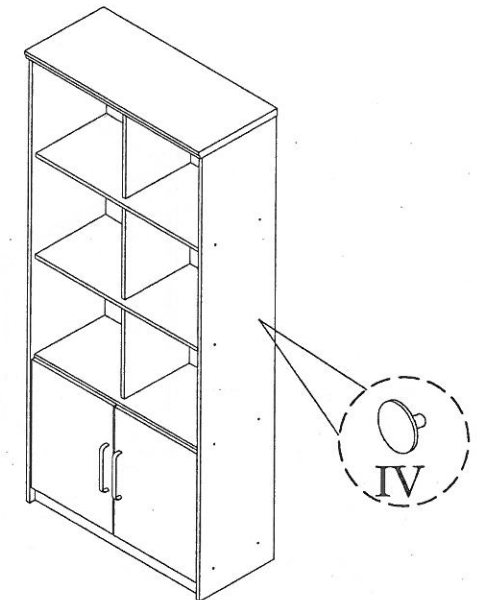
**STEP 4**



**STEP 5**



**STEP 6**



**HARDWARE LIST**

NO	DESCRIPTION	QTY
I	JCBCW SCREW M6 x 45	20pcs
II	M4 ALLEN KEY	1pc

III	HANDLE & SCREW M3.5 x 30	2sets
IV	CAP SMALL	16pcs
V	NAIL	60pcs
VI	M8 x 30 PLASTIC DOWEL	24pcs

VII	PVC NAIL WITH PIN	6pcs
VIII	HINGES (C) & SCREW M3.5 x 16	4sets