

**CAUTION:**

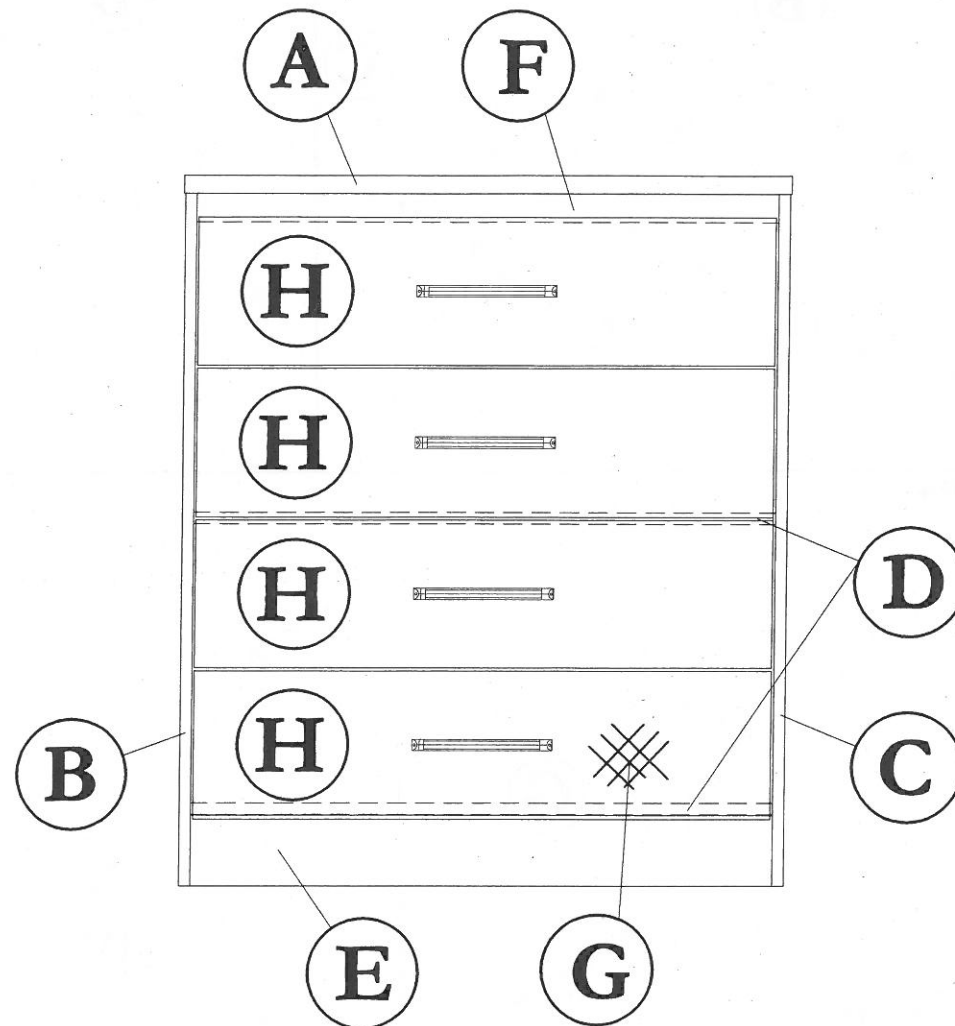
To clean use soft, dry cloth. Do not use detergent or chemicals  
Avoid contact with water and direct sunlight.  
To be assembled on a soft, dry, clean and smooth surface.



**COMPLETE SET**

**ORDERING REPAIR PARTS**

In order to obtain smooth and rapid service when ordering repair parts, please give full attention to the following of PART NUMBER.



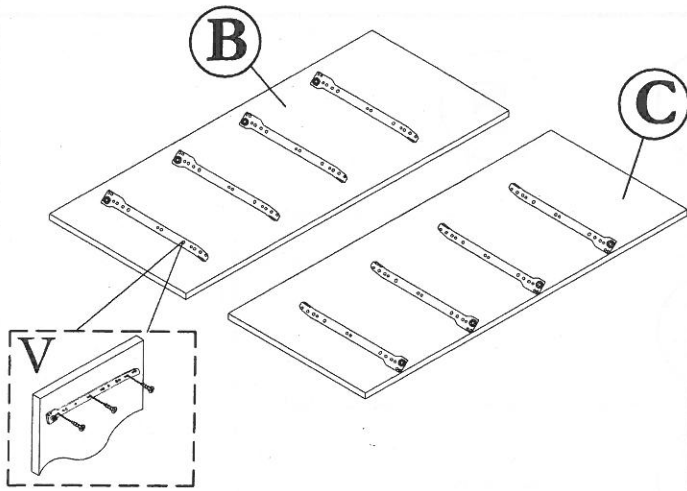
NO	DESCRIPTION	QTY
A	TOP	01
B	LEFT SIDE	01
C	RIGHT SIDE	01
D	HORIZONTAL SHELF	02

NO	DESCRIPTION	QTY
E	LEG	01
F	TOP SUPPORT	01
G	BACK	02
H	DRAWER FACE	04

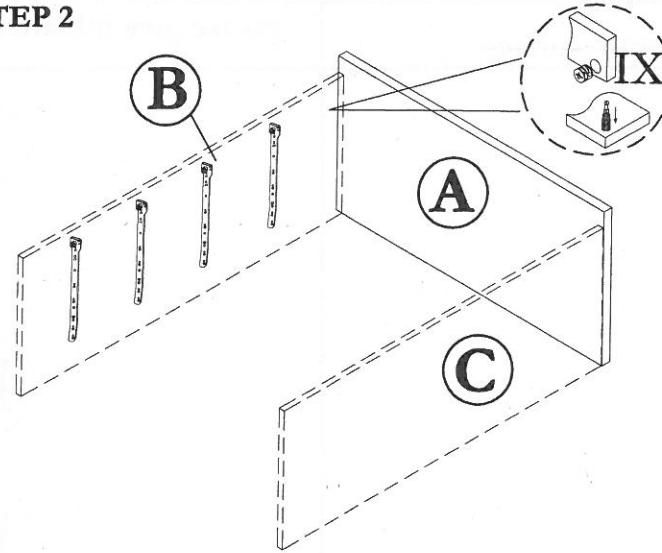
**ASSEMBLY INSTRUCTION**  
**MODEL : 4090 / CHEST OF DRAWER**

Before you begin, please follow assembly instruction carefully.  
 Then follow them step by step.

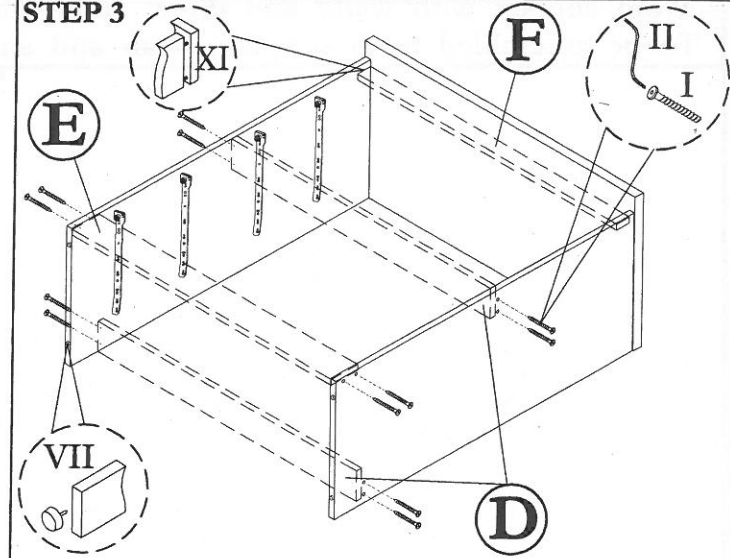
**STEP 1**



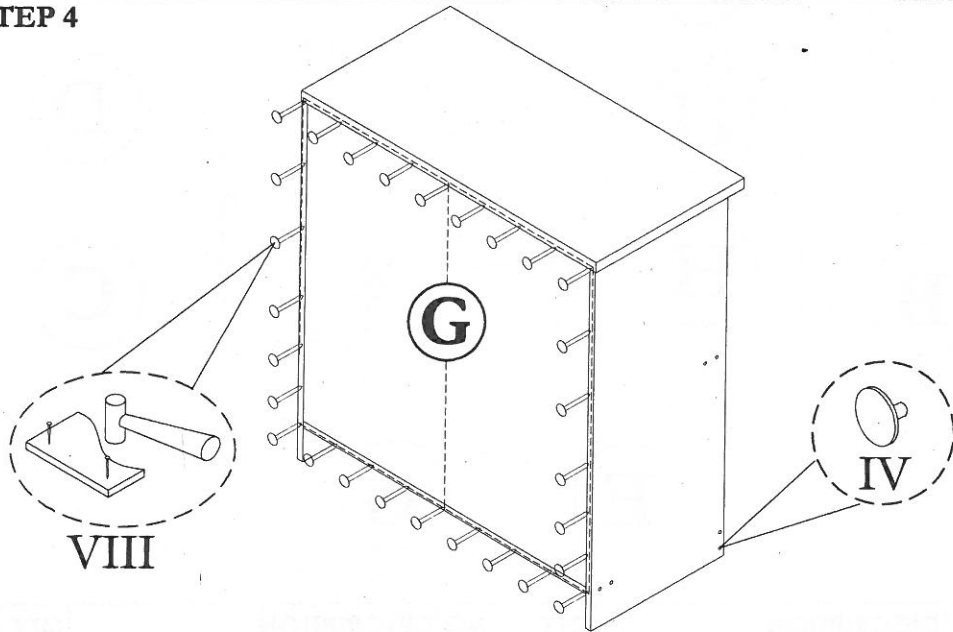
**STEP 2**



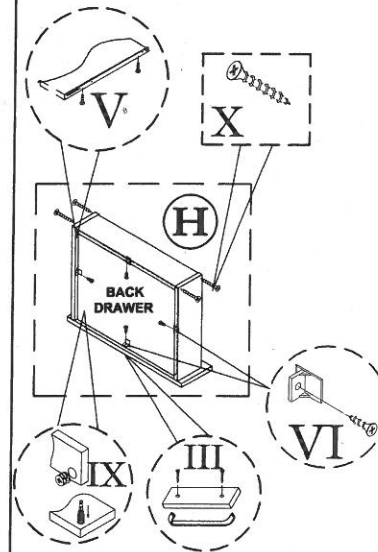
**STEP 3**



**STEP 4**



**STEP 5**



HARDWARE LIST			
NO	DESCRIPTION		QTY
I	JCBCW SCREW M6 x 45		12pcs
II	M4 ALLEN KEY		1pc
III	HANDLE & SCREW M3.5 x 30		4sets

IV	CAP SMALL		12pcs
V	DRAWER SLIDER & SCREW M3.5 x 12		4sets
VI	DRAWER SUPPORT & SCREW M3.5 x 12		16sets
VII	PVC NAIL WITH PIN		4pcs
VIII	NAIL		40pcs

IX	Q-FIT		20sets
X	M8 X 32 CHIPBOARD SCREW		16pcs
XI	PLASTIC DOWEL		2pcs