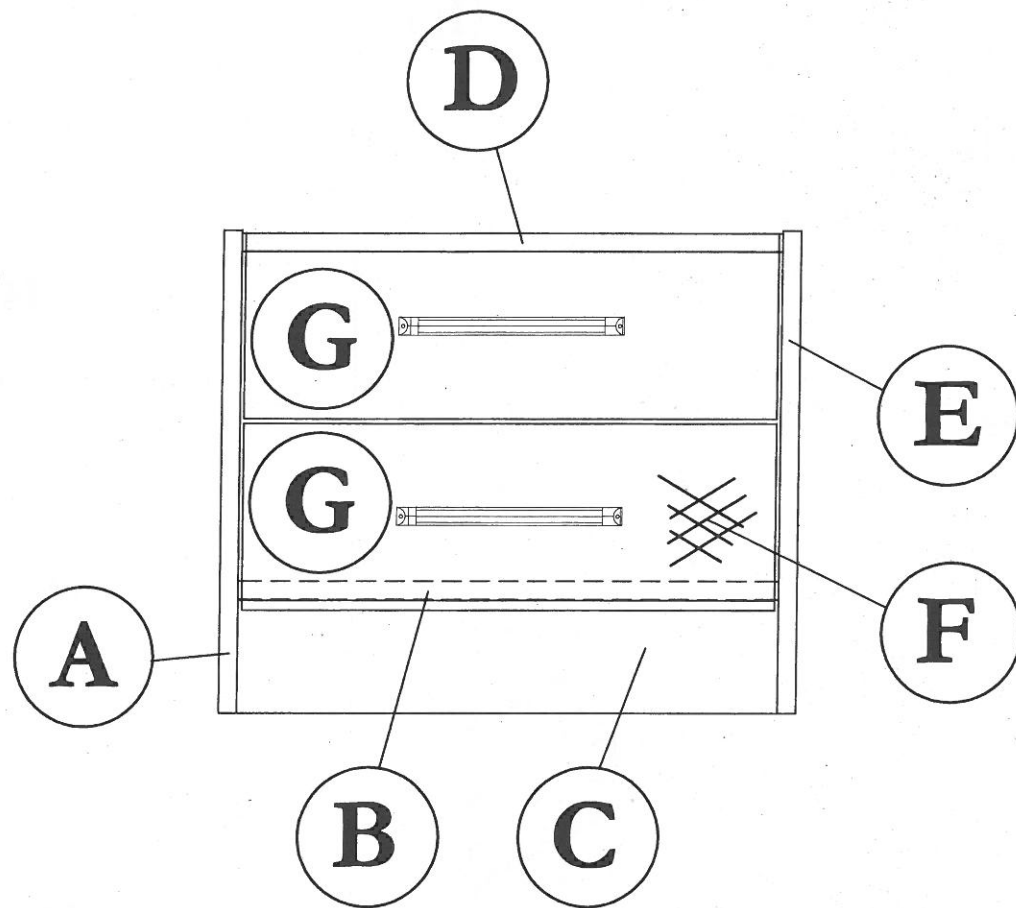
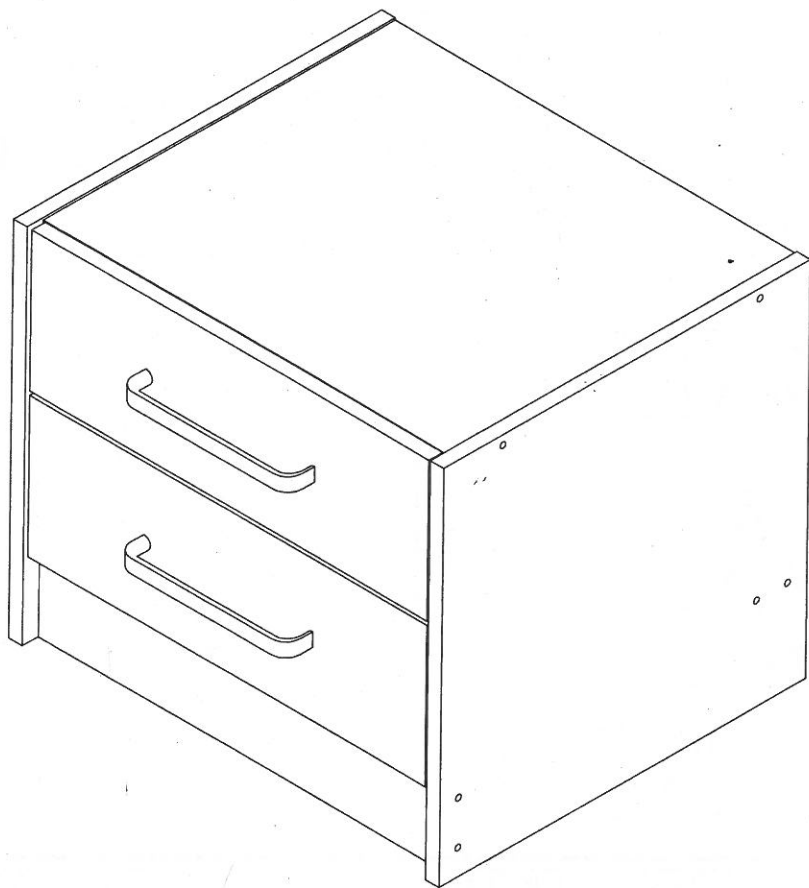


CAUTION:

To clean use soft, dry cloth. Do not use detergent or chemicals
Avoid contact with water and direct sunlight.
To be assembled on a soft, dry, clean and smooth surface.

ORDERING REPAIR PARTS

In order to obtain smooth and rapid service when ordering repair parts,
please give full attention to the following of PART NUMBER.



COMPLETE SET

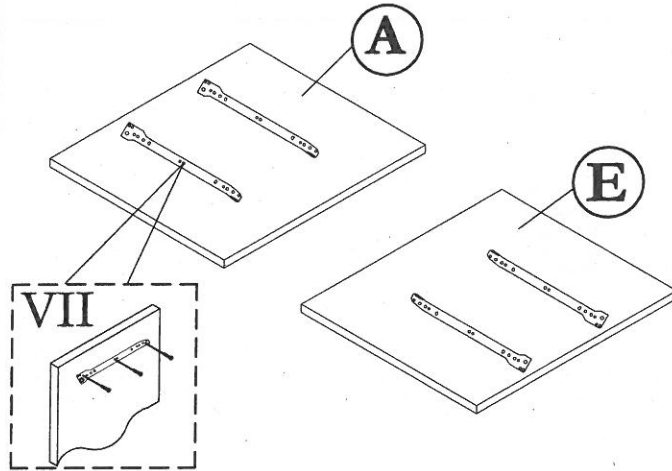
NO	DESCRIPTION	QTY
A	LEFT SIDE	01
B	LOWER SHELF	01
C	LEG	01
D	UPPER SHELF	01

NO	DESCRIPTION	QTY
E	RIGHT SIDE	01
F	BACK	01
G	DRAWER FACE	02

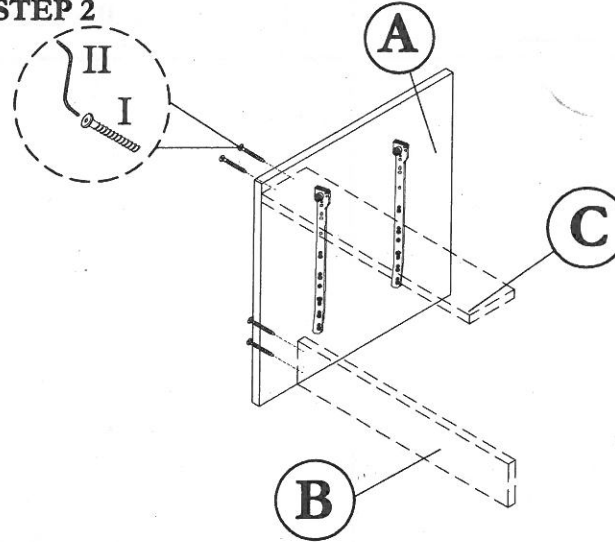
ASSEMBLY INSTRUCTION
MODEL : 5066 / SIDE TABLE

Before you begin, please follow assembly instruction carefully.
 Then follow them step by step.

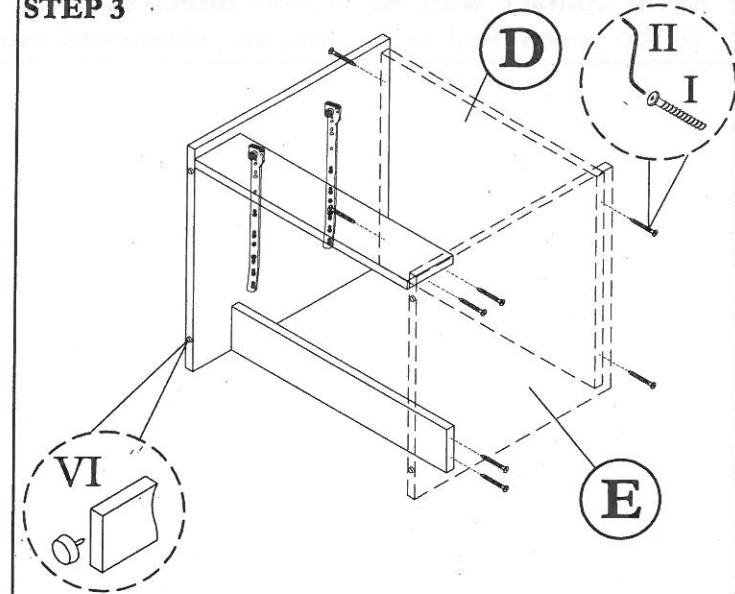
STEP 1



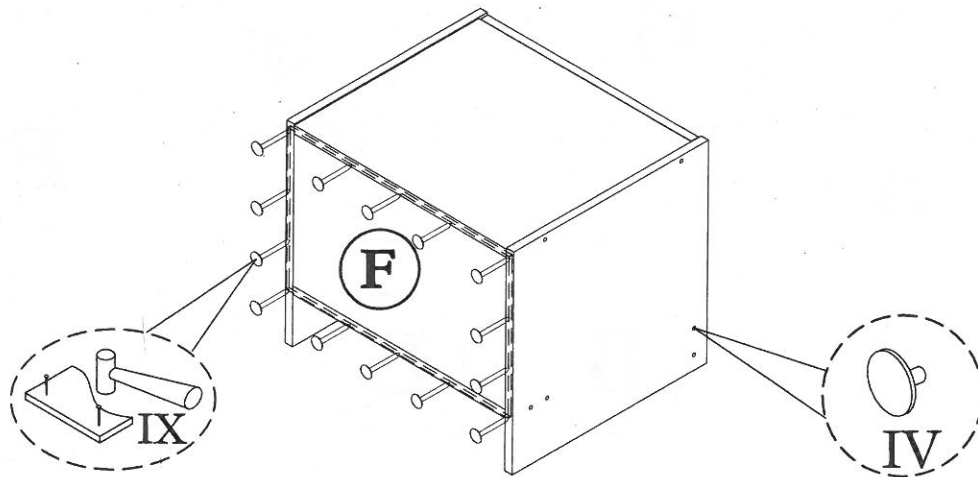
STEP 2



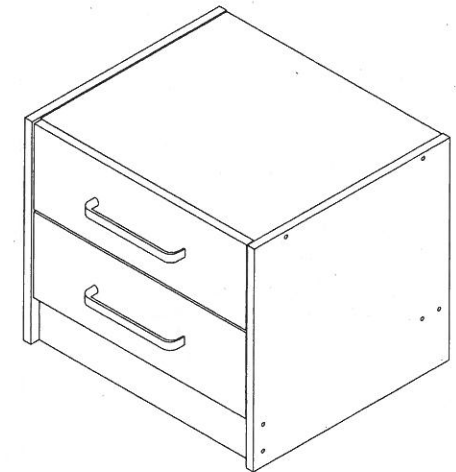
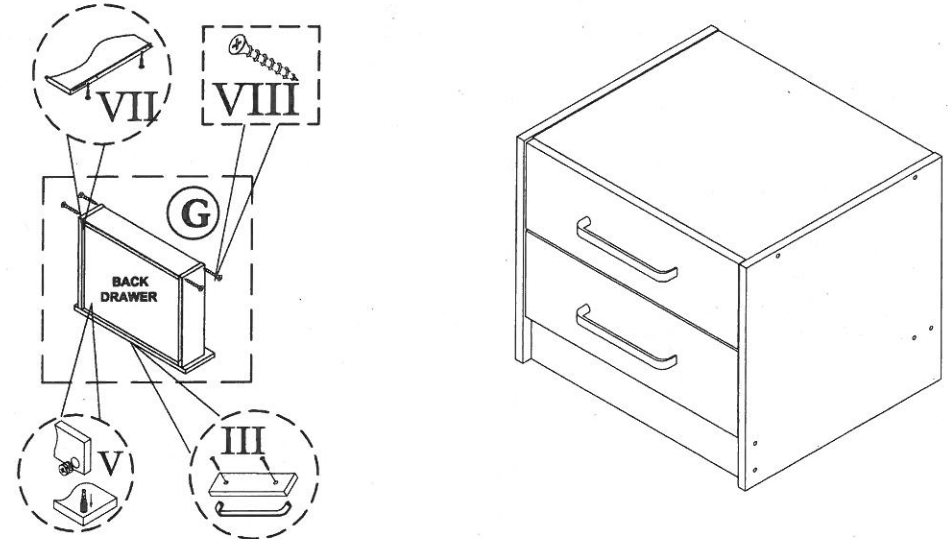
STEP 3



STEP 4



STEP 5



HARDWARE LIST

NO	DESCRIPTION	QTY
I	JCBCW SCREW M6 x 45	12pcs
II	M4 ALLEN KEY	1pc
III	HANDLE & SCREW M3.5 x 30	2sets

IV	CAP SMALL	12pcs
V	Q-FIT	8sets
VI	PVC NAIL WITH PIN	4pcs
VII	DRAWER SLIDER & SCREW M3.5 x 12	2sets
VIII	M8 X 32 CHIPBOARD SCREW	8pcs

IX	NAIL	20pcs