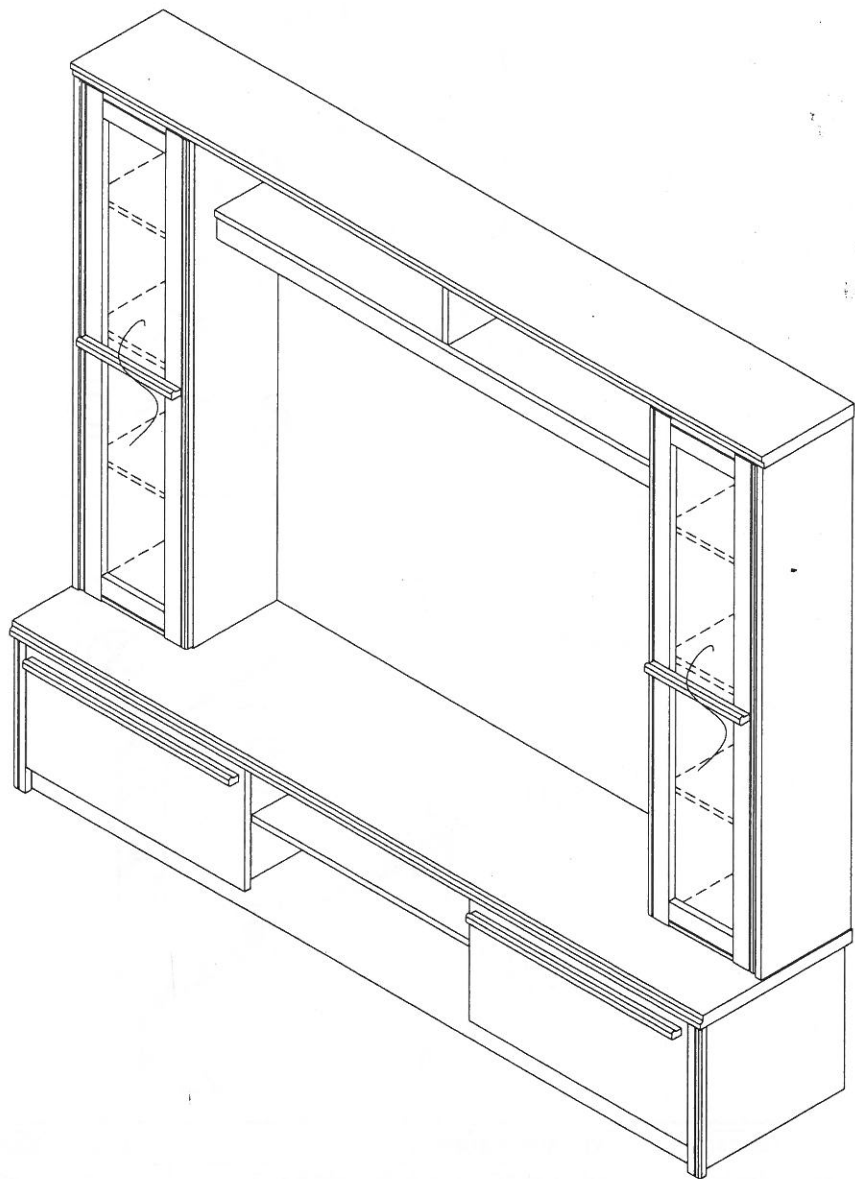


CAUTION:

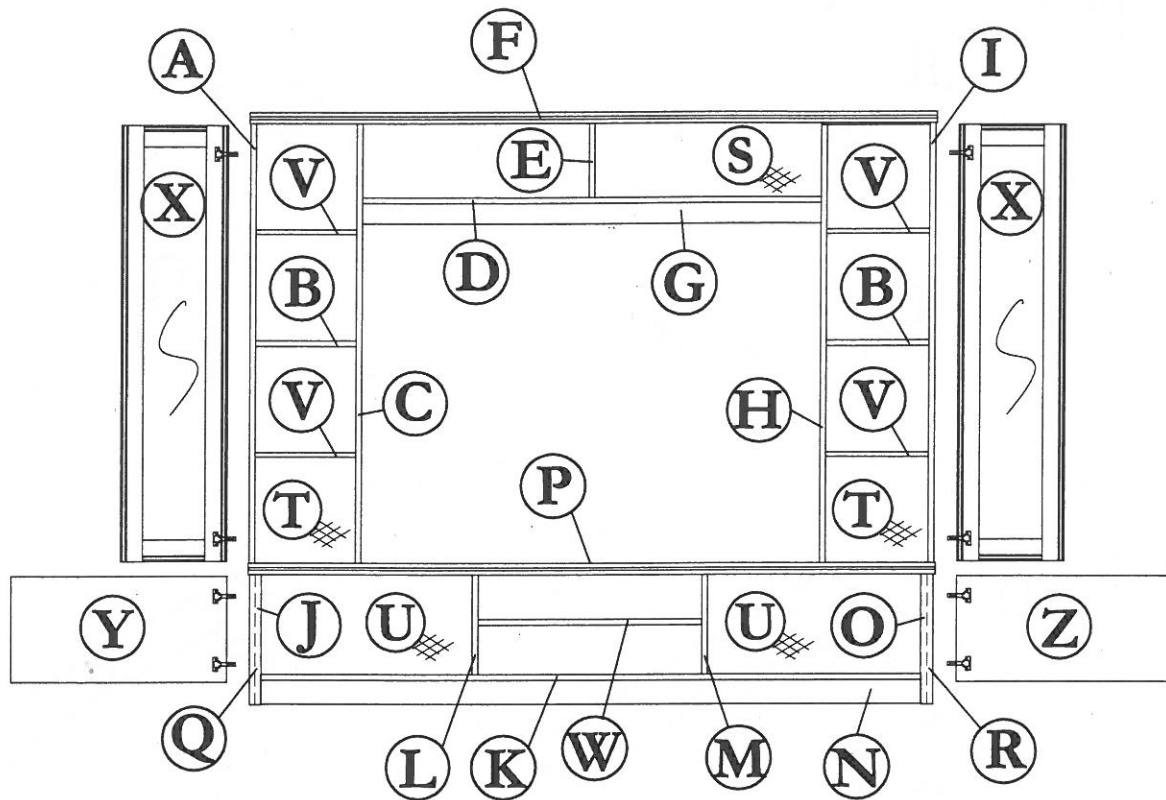
To clean use soft, dry cloth. Do not use detergent or chemicals
 Avoid contact with water and direct sunlight.
 To be assembled on a soft, dry, clean and smooth surface.



COMPLETE SET

ORDERING REPAIR PARTS

In order to obtain smooth and rapid service when ordering repair parts, please give full attention to the following of PART NUMBER.



NO	DESCRIPTION	QTY
A	LEFT SIDE (Top)	01
B	CENTRE SHELF (Top)	02
C	CENTRE VERTICAL (Top)	01
D	CENTRE SHELF (Top)	01
E	CENTRE VERTICAL (Top)	01
F	TOP (Top)	01
G	CENTRE SHELF SUPPORT (Top)	01
H	CENTRE VERTICAL (Top)	01
I	RIGHT SIDE (Top)	01

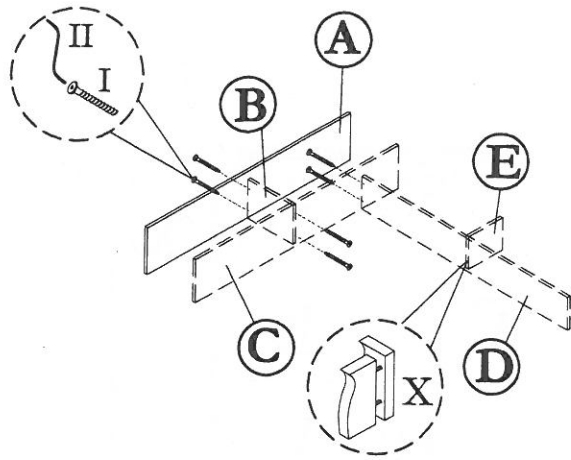
NO	DESCRIPTION	QTY
J	LEFT SIDE (Bottom)	01
K	LOWER SHELF	01
L	CENTRE VERTICAL (Bottom)	01
M	CENTRE VERTICAL (Bottom)	01
N	LEG	02
O	RIGHT SIDE (Bottom)	01
P	TOP (Bottom)	01
Q	LEFT SIDE WRAPPING (Bottom)	01
R	RIGHT SIDE WRAPPING (Bottom)	01

NO	DESCRIPTION	QTY
S	BACK (Top)	01
T	BACK (Top)	02
U	BACK (Bottom)	02
V	MOVABLE SHELF (Top)	04
W	MOVABLE SHELF (Bottom)	01
X	DOOR (Top)	02
Y	LEFT SIDE DOOR (Bottom)	01
Z	RIGHT SIDE DOOR (Bottom)	01

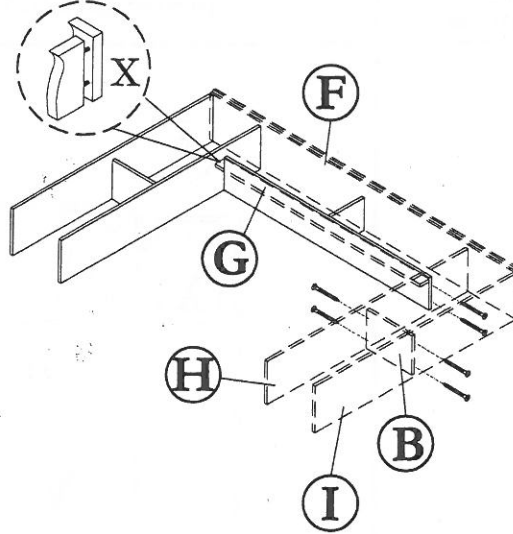
ASSEMBLY INSTRUCTION
MODEL : 8214 / TV CABINET

Before you begin, please follow assembly instruction carefully.
 Then follow them step by step.

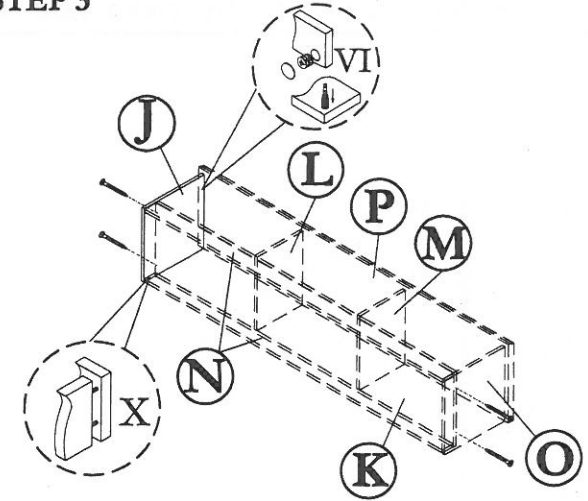
STEP 1



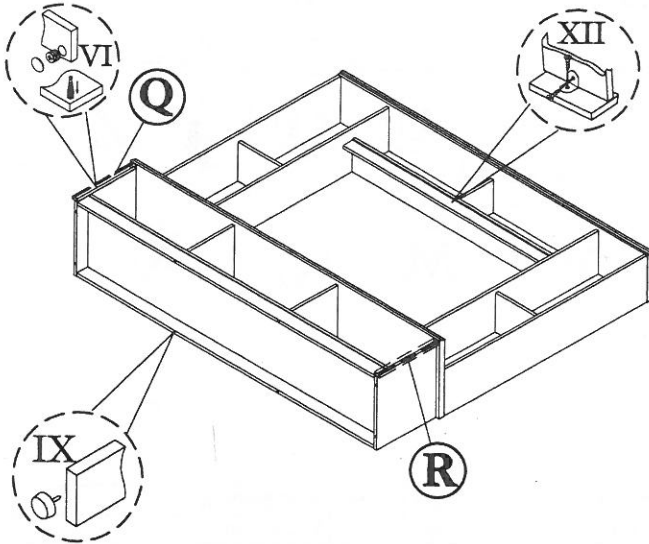
STEP 2



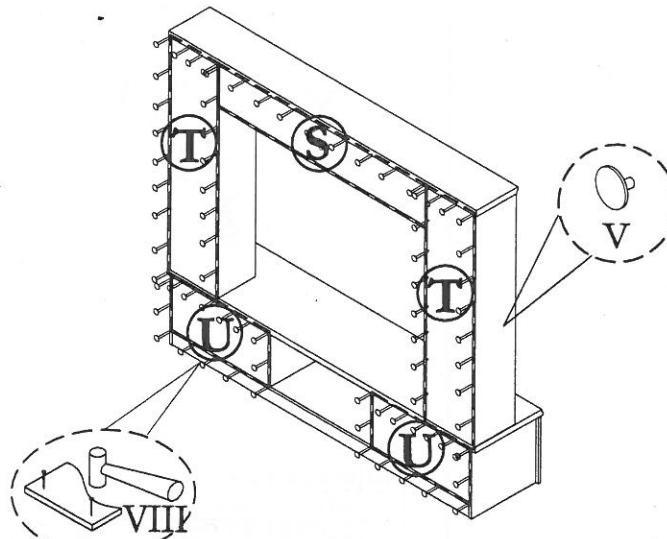
STEP 3



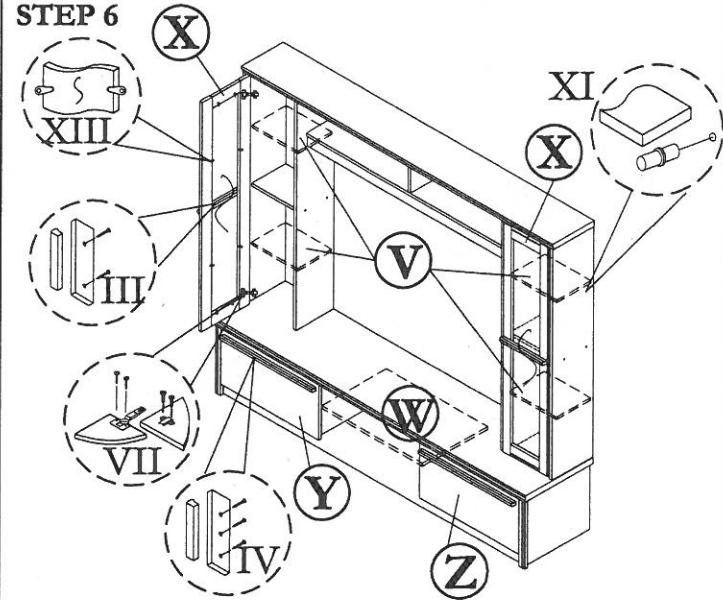
STEP 4



STEP 5



STEP 6



HARDWARE LIST			
NO	DESCRIPTION		QTY
I	JCBCW SCREW M6 x 45		34pcs
II	M4 ALLEN KEY		1pc
III	HANDLE (9 5/8) & SCREW M3.5 x 30		2sets
IV	HANDLE (21 1/8) & SCREW M3.5 x 30		2sets

V	CAP SMALL		12pcs
VI	Q-FIT		6sets
VII	HINGE (C) & SCREW M3.5 x 16		8sets
VIII	NAIL		100pcs
IX	PVC NAIL WITH PIN		8pcs
X	M8 x 30 PLASTIC DOWEL		22pcs

XI	SHELF SUPPORT		20pcs
XII	L BRACKET & SCREW M3.5 x 12		1sets
XIII	PE CLIP & SCREW M3.5 X 16		16sets