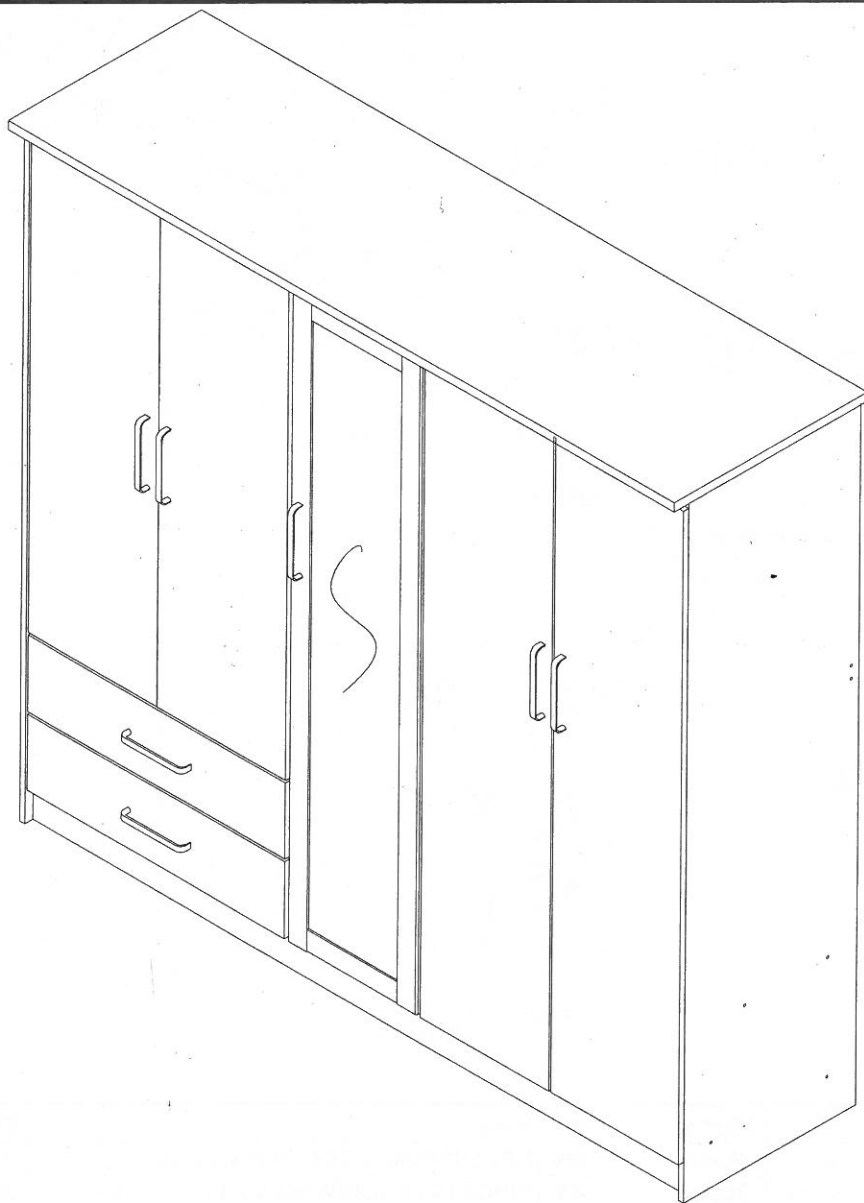


**CAUTION:**

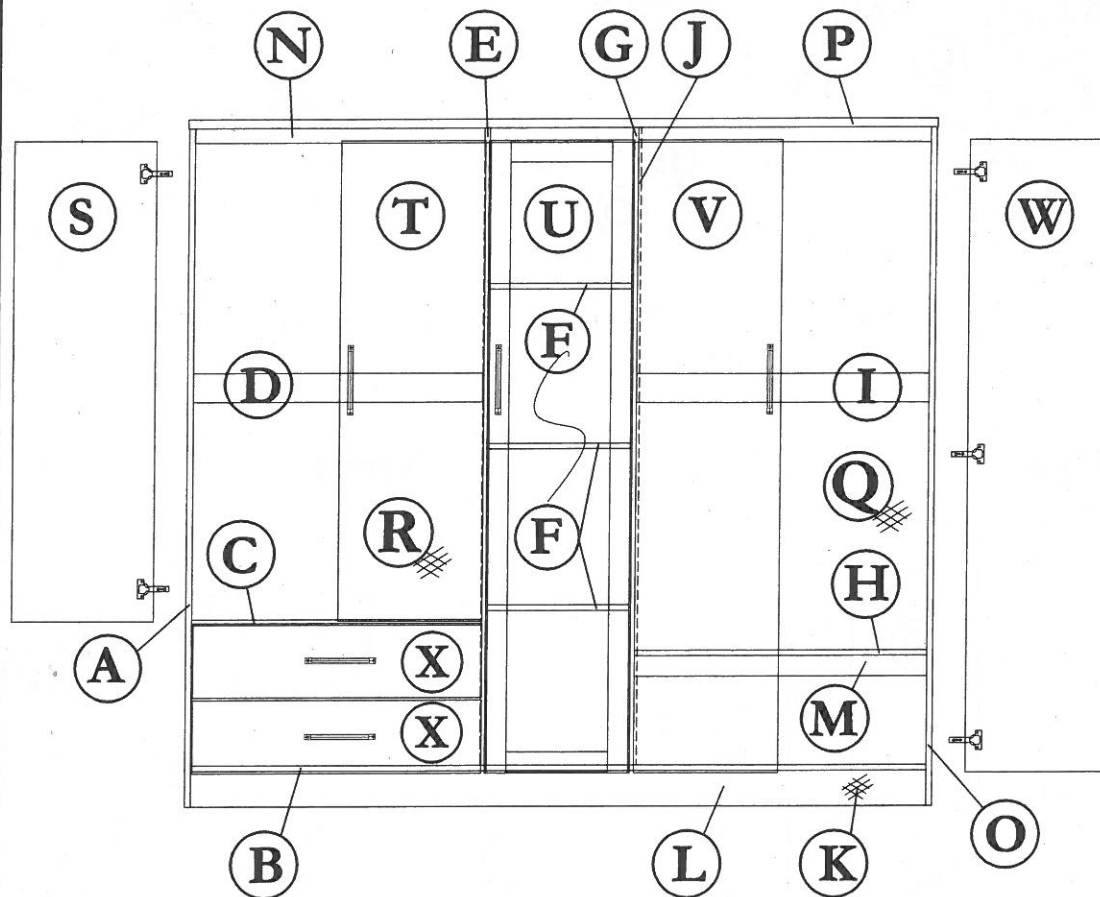
To clean use soft, dry cloth. Do not use detergent or chemicals  
 Avoid contact with water and direct sunlight.  
 To be assembled on a soft, dry, clean and smooth surface.

**ORDERING REPAIR PARTS**

In order to obtain smooth and rapid service when ordering repair parts,  
 please give full attention to the following of PART NUMBER.



# COMPLETE SET



NO	DESCRIPTION	QTY
A	LEFT SIDE	01
B	LOWER SHELF	01
C	CENTRE SHELF (Left)	01
D	BACK SUPPORT (Left)	01
E	CENTRE VERTICAL	01
F	CENTRE SHELF (Centre)	03
G	CENTRE VERTICAL	01
H	CENTRE SHELF (Right)	01
I	BACK SUPPORT (Right)	01

NO	DESCRIPTION	QTY
J	CENTRE VERTICAL SUPPORT	01
K	LEG (Back)	01
L	LEG (Front)	01
M	CENTRE SHELF SUPPORT	01
N	TOP SUPPORT	01
O	RIGHT SIDE	01
P	TOP	01
Q	BACK (Right)	02
R	BACK (Left/Centre)	03

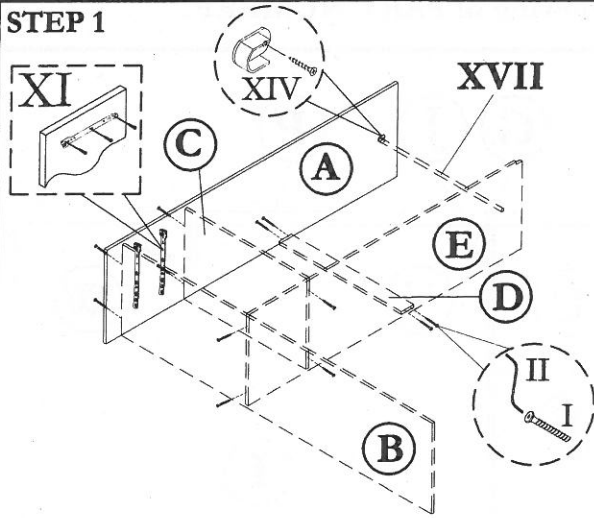
NO	DESCRIPTION	QTY
S	LEFT SIDE DOOR	01
T	CENTRE DOOR	01
U	CENTRE DOOR	01
V	CENTRE DOOR	01
W	RIGHT SIDE DOOR	01
X	DRAWER FACE	02

# ASSEMBLY INSTRUCTION

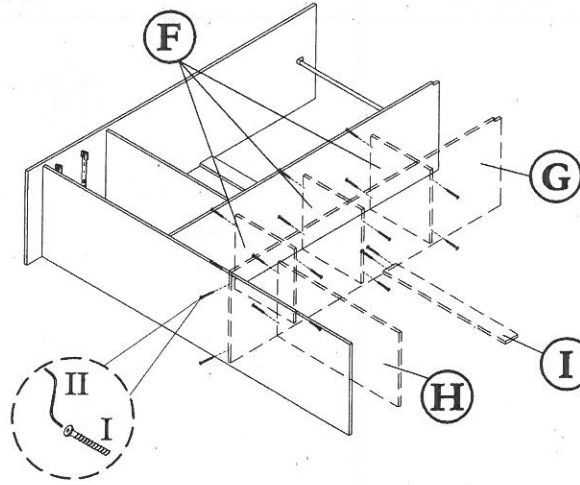
## MODEL : 9267 DM / WARDROBE

Before you begin, please follow assembly instruction carefully.  
Then follow them step by step.

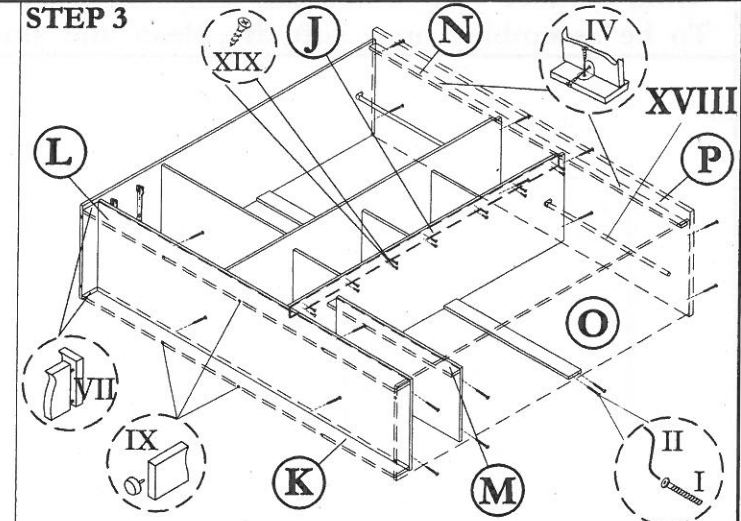
### STEP 1



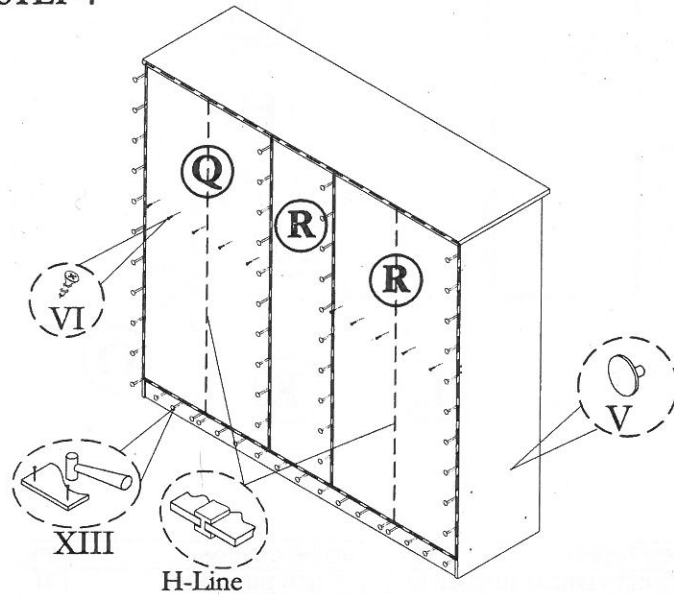
### STEP 2



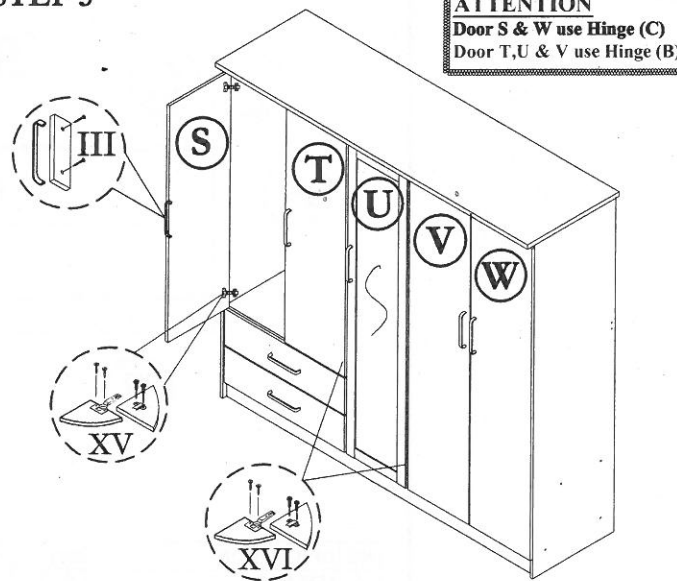
### STEP 3



### STEP 4

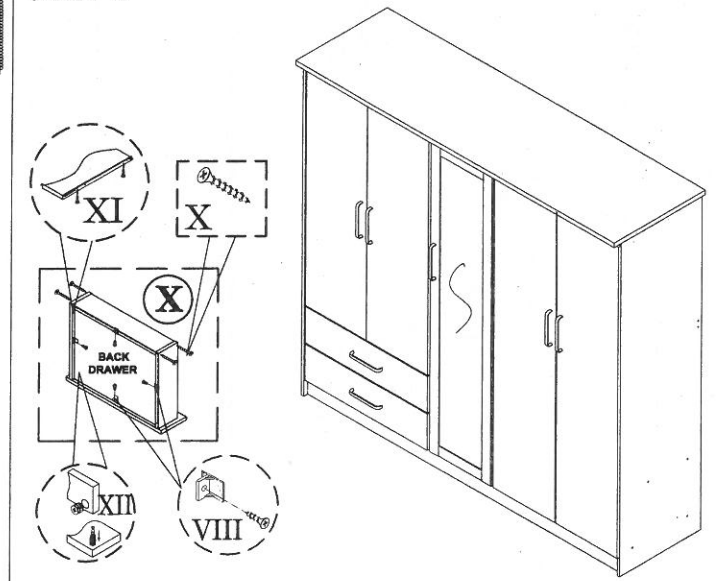


### STEP 5



**ATTENTION**  
Door S & W use Hinge (C)  
Door T, U & V use Hinge (B)

### STEP 6



HARDWARE LIST			
NO	DESCRIPTION		QTY
I	JCBCW SCREW M6 x 45		48pcs
II	M4 ALLEN KEY		1pc
III	HANDLE & SCREW M3.5 x 30		7sets
IV	L BRACKET & SCREW M3.5 x 12		2sets
V	CAP SMALL		12pcs

VI	M3.5 x 12 CHIPBOARD SCREW		10pcs
VII	PLASTIC DOWEL		14pcs
VIII	DRAWER SUPPORT & SCREW M3.5 x 12		8sets
IX	PVC NAIL WITH PIN		10pcs
X	M8 x 32 CHIPBOARD SCREW		8pcs
XI	14" DRAWER SLIDER & SCREW M3.5 x 12		2sets
XII	Q-FIT		8sets

XIII	NAIL		100pcs
XIV	PIPE SUPPORT & SCREW M3.5 x 16		4sets
XV	HINGE (C) & SCREW M3.5 x 16		5sets
XVI	HINGE (B) & SCREW M3.5 x 16		8sets
XVII	PIPE SIZE : 29 6.5/8"		1pc
XVIII	PIPE SIZE : 30 0.5/8"		1pc
XIX	M3.5 x 16 CHIPBOARD SCREW		14pcs