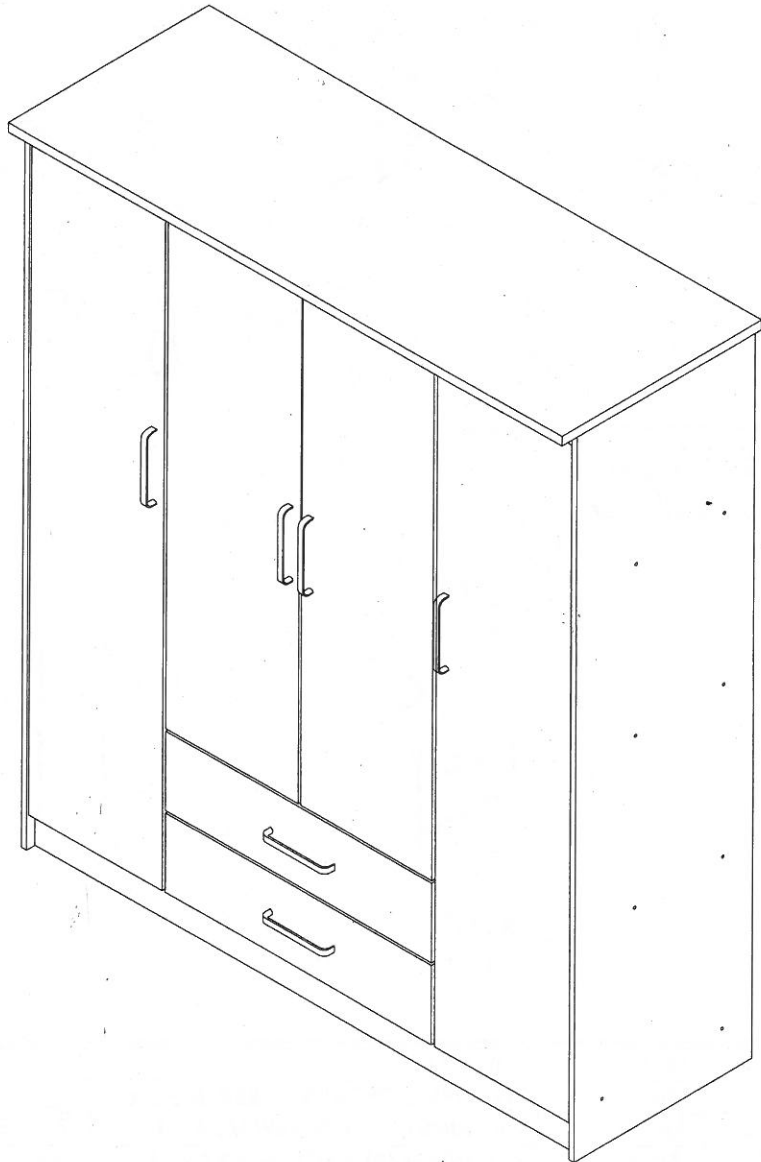


CAUTION:

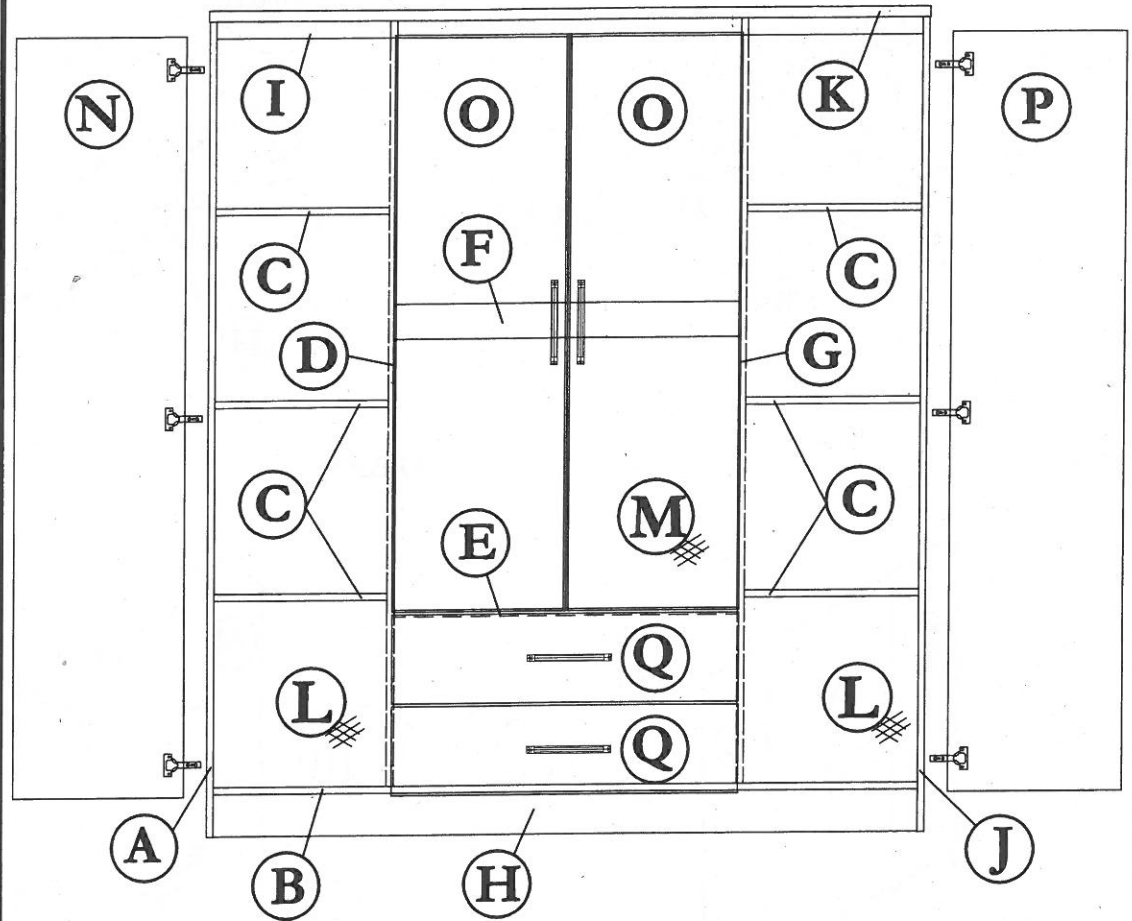
To clean use soft, dry cloth. Do not use detergent or chemicals
 Avoid contact with water and direct sunlight.
 To be assembled on a soft, dry, clean and smooth surface.



COMPLETE SET

ORDERING REPAIR PARTS

In order to obtain smooth and rapid service when ordering repair parts, please give full attention to the following of PART NUMBER.

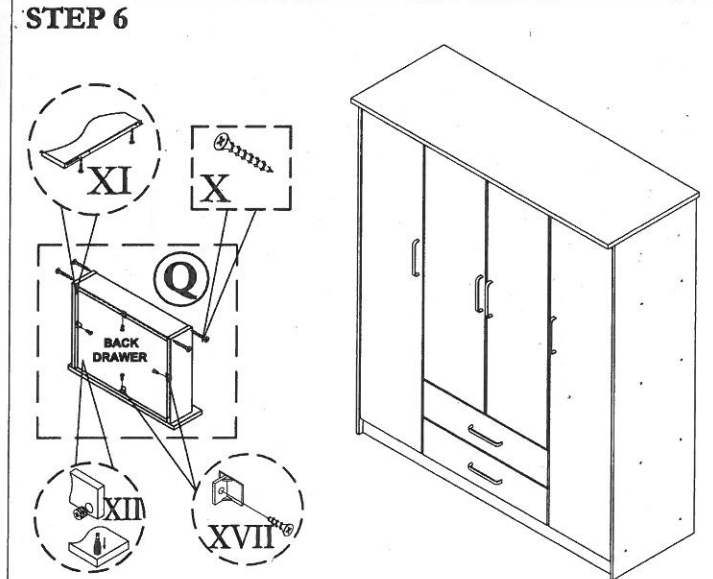
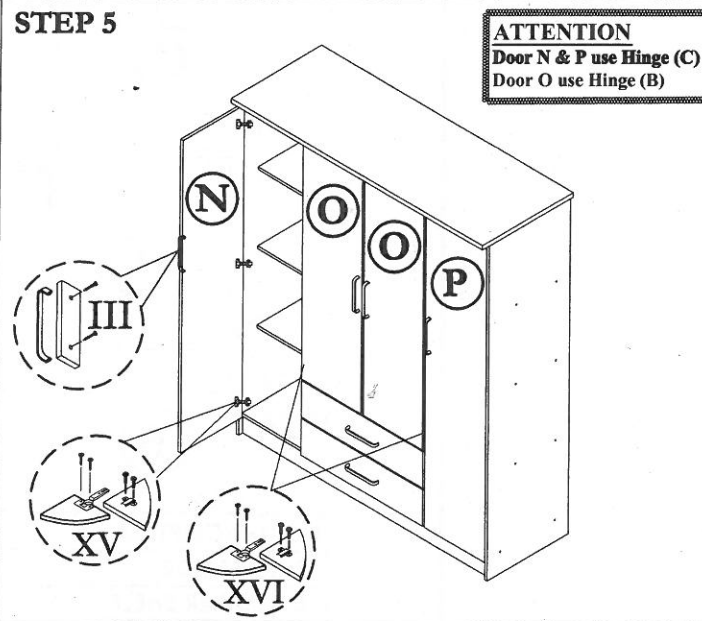
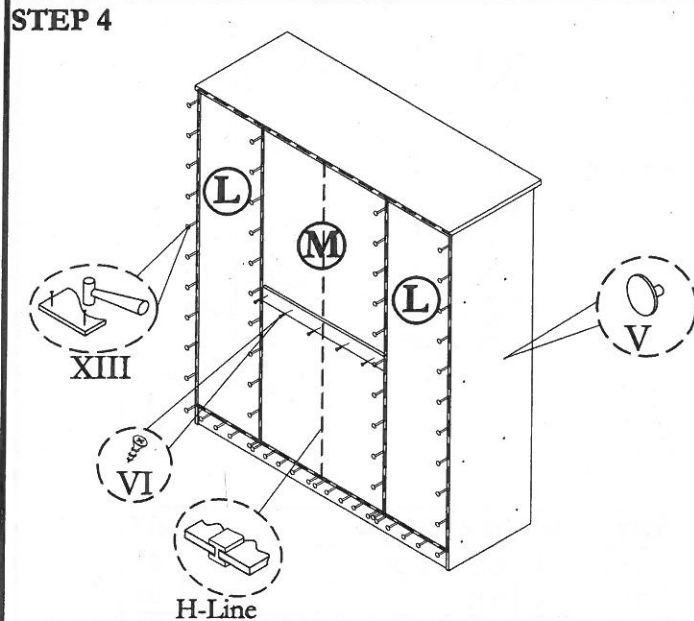
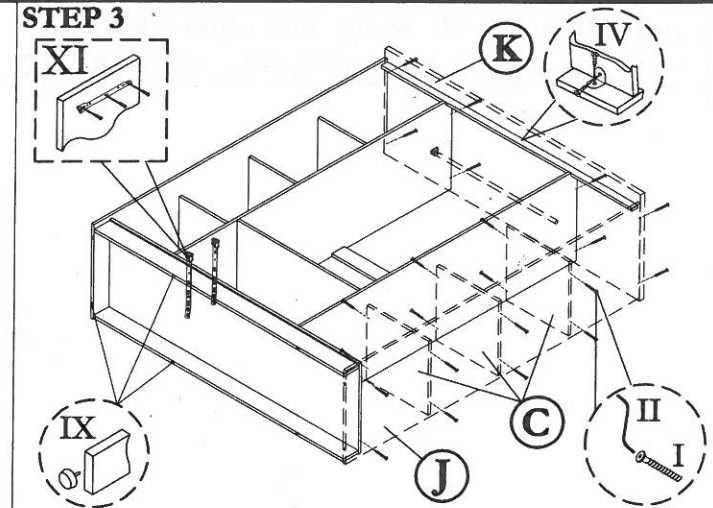
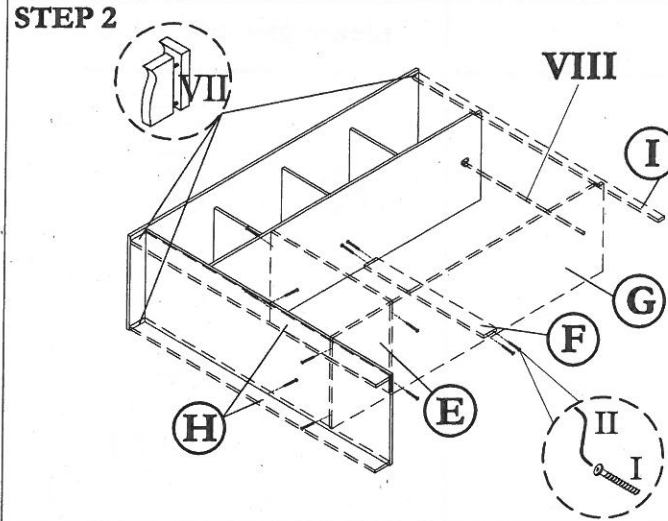
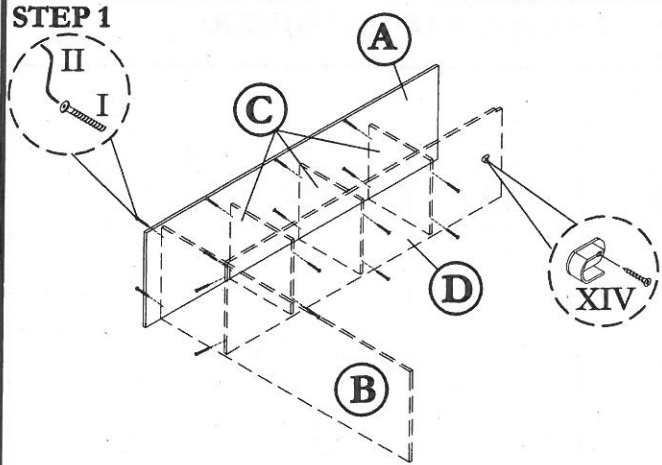


NO	DESCRIPTION	QTY
A	LEFT SIDE	01
B	LOWER SHELF	01
C	CENTRE SHELF	06
D	CENTER VERTICAL	01
E	CENTRE SHELF	01
F	BACK SUPPORT	01
G	CENTER VERTICAL	01
H	LEG	02
I	TOP SUPPORT	01

NO	DESCRIPTION	QTY
J	RIGHT SIDE	01
K	TOP	01
L	BACK (Left/Right)	02
M	BACK (Centre)	02
N	LEFT SIDE DOOR	01
O	DOOR (Centre)	02
P	RIGHT SIDE DOOR	01
Q	DRAWER FACE	02

ASSEMBLY INSTRUCTION
MODEL : 9265 D / WARDROBE

Before you begin, please follow assembly instruction carefully.
 Then follow them step by step.



HARDWARE LIST			
NO	DESCRIPTION		QTY
I	JCBCW SCREW M6 x 45		50pcs
II	M4 ALLEN KEY		1pc
III	HANDLE & SCREW M3.5 x 30		6sets
IV	L BRACKET & SCREW M3.5 x 12		1sets
V	CAP SMALL		16pcs

VI	M3.5 x 12 CHIPBOARD SCREW		5pcs
VII	PLASTIC DOWEL		10pcs
VIII	PIPE SIZE : 29 4/8"		1pc
IX	PVC NAIL WITH PIN		8pcs
X	M8 x 32 CHIPBOARD SCREW		8pcs
XI	14" DRAWER SLIDER & SCREW M3.5 x 12		2sets
XII	Q-FIT		8sets

XIII	NAIL		100pcs
XIV	PIPE SUPPORT & SCREW M3.5 x 16		2sets
XV	HINGE (C) & SCREW M3.5 x 16		6sets
XVI	HINGE (B) & SCREW M3.5 x 16		4sets
XVII	DRAWER SUPPORT & SCREW M3.5 x 12		8sets