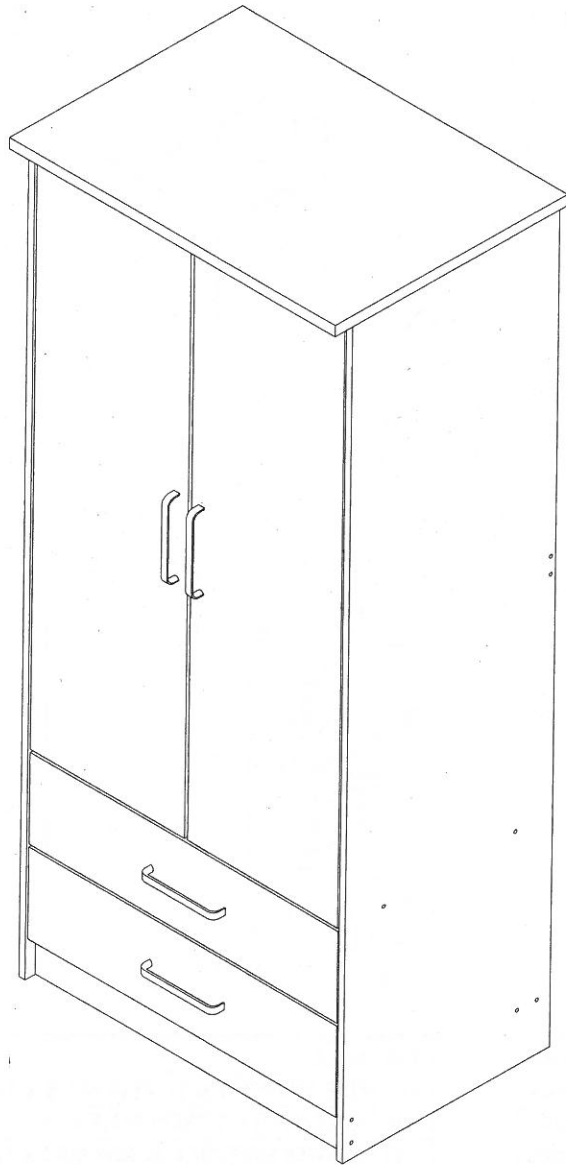


CAUTION:

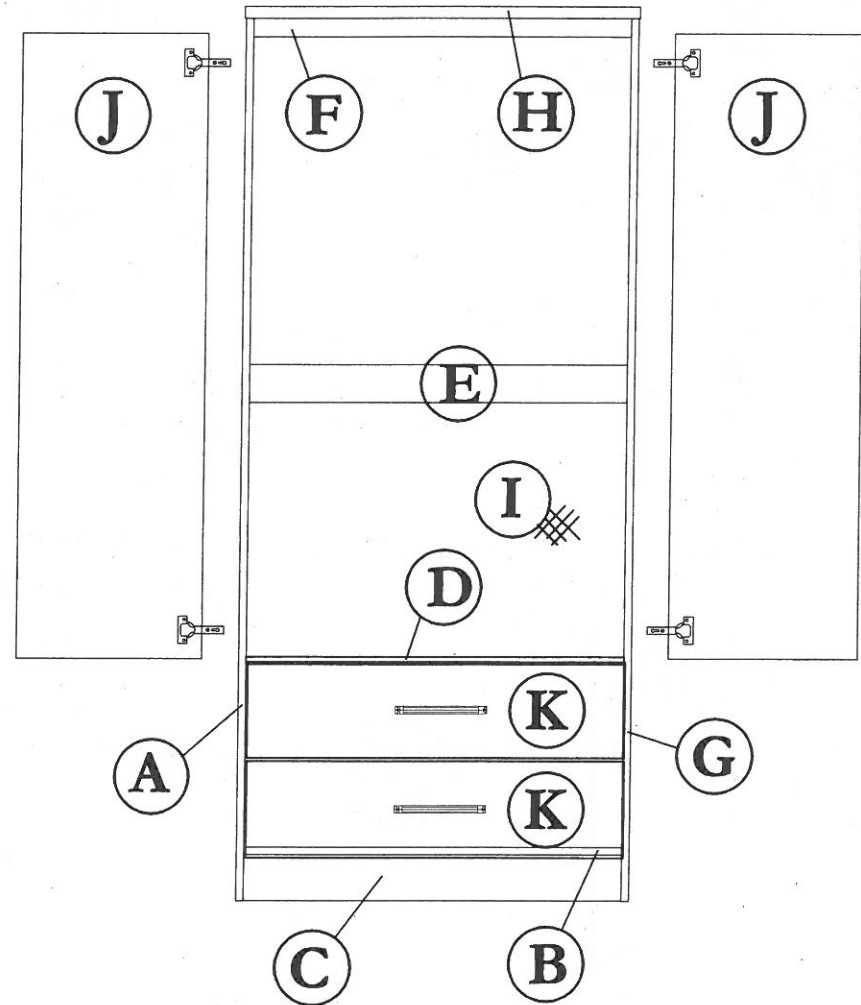
To clean use soft, dry cloth. Do not use detergent or chemicals
Avoid contact with water and direct sunlight.
To be assembled on a soft, dry, clean and smooth surface.



COMPLETE SET

ORDERING REPAIR PARTS

In order to obtain smooth and rapid service when ordering repair parts,
please give full attention to the following of PART NUMBER.



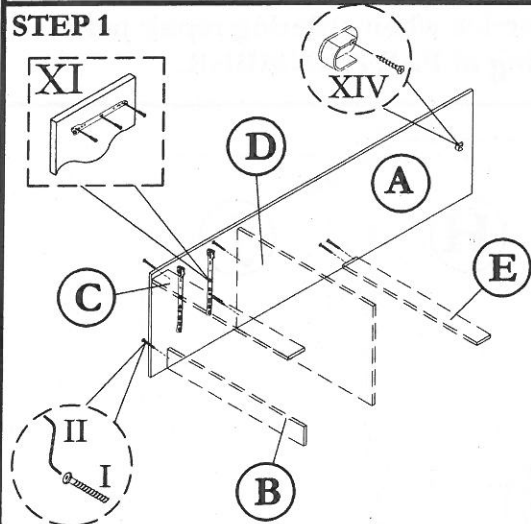
| NO | DESCRIPTION | QTY |
|----|--------------|-----|
| A | LEFT SIDE | 01 |
| B | LOWER SHELF | 01 |
| C | LEG | 01 |
| D | CENTRE SHELF | 01 |
| E | BACK SUPPORT | 01 |
| F | TOP SUPPORT | 01 |

| NO | DESCRIPTION | QTY |
|----|----------------------|-----|
| G | RIGHT SIDE | 01 |
| H | TOP | 01 |
| I | BACK | 02 |
| J | LEFT/RIGHT SIDE DOOR | 02 |
| K | DRAWER FACE | 02 |

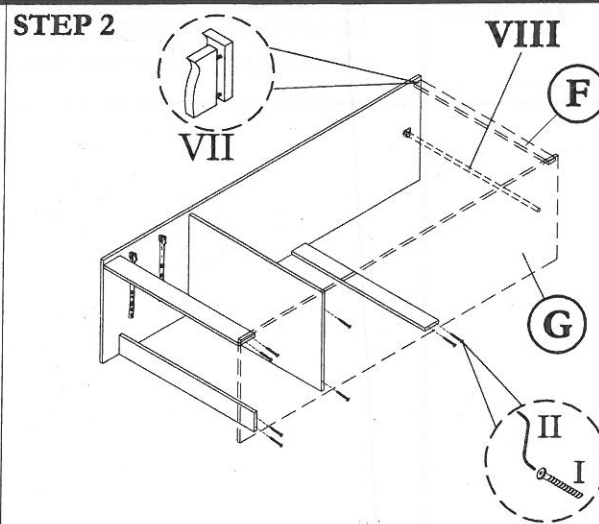
ASSEMBLY INSTRUCTION
MODEL : 9261 D / WARDROBE

Before you begin, please follow assembly instruction carefully.
 Then follow them step by step.

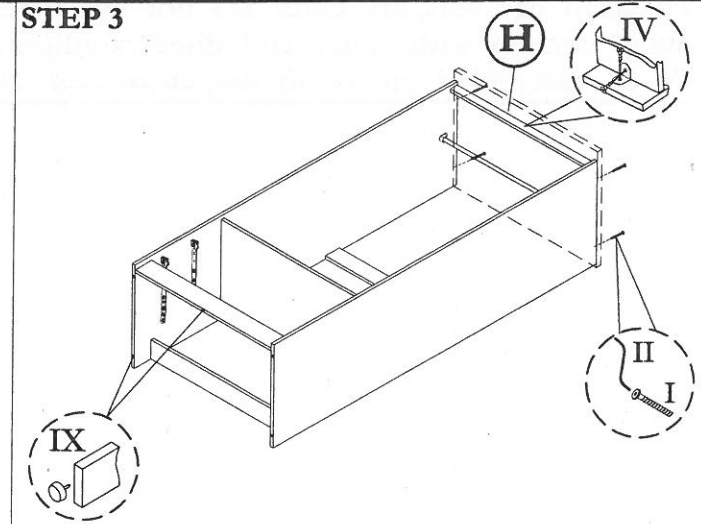
STEP 1



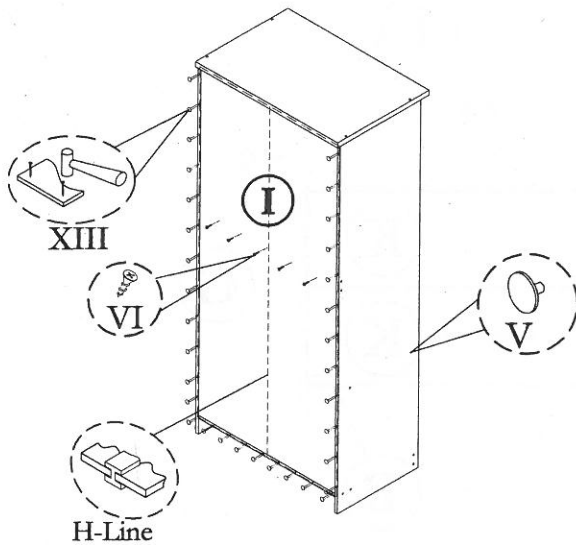
STEP 2



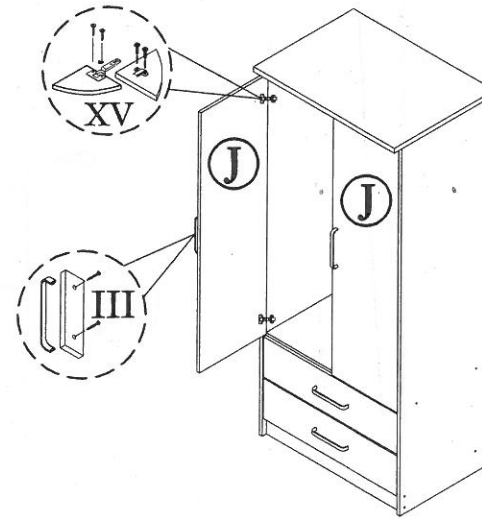
STEP 3



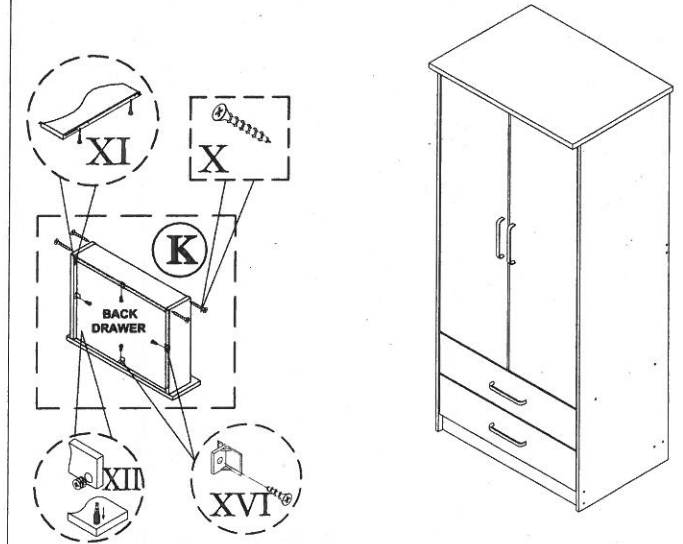
STEP 4



STEP 5



STEP 6



HARDWARE LIST

| NO | DESCRIPTION | QTY |
|-----|-----------------------------|-------|
| I | JCBCW SCREW M6 x 45 | 20pcs |
| II | M4 ALLEN KEY | 1pc |
| III | HANDLE & SCREW M3.5 x 30 | 4sets |
| IV | L BRACKET & SCREW M3.5 x 12 | 1sets |
| V | CAP SMALL | 16pcs |

| | | |
|------|--|-------|
| VI | M3.5 x 12 CHIPBOARD SCREW | 5pcs |
| VII | PLASTIC DOWEL | 2pcs |
| VIII | PIPE SIZE : 30 ^{0.5} / ₈ | 1pc |
| IX | PVC NAIL WITH PIN | 5pcs |
| X | M8 x 32 CHIPBOARD SCREW | 8pcs |
| XI | 14" DRAWER SLIDER & SCREW M3.5 x 12 | 2sets |
| XII | Q-FIT | 8sets |

| | | |
|------|----------------------------------|-------|
| XIII | NAIL | 80pcs |
| XIV | PIPE SUPPORT & SCREW M3.5 x 16 | 2sets |
| XV | HINGE (C) & SCREW M3.5 x 16 | 4sets |
| XVI | DRAWER SUPPORT & SCREW M3.5 x 12 | 8sets |