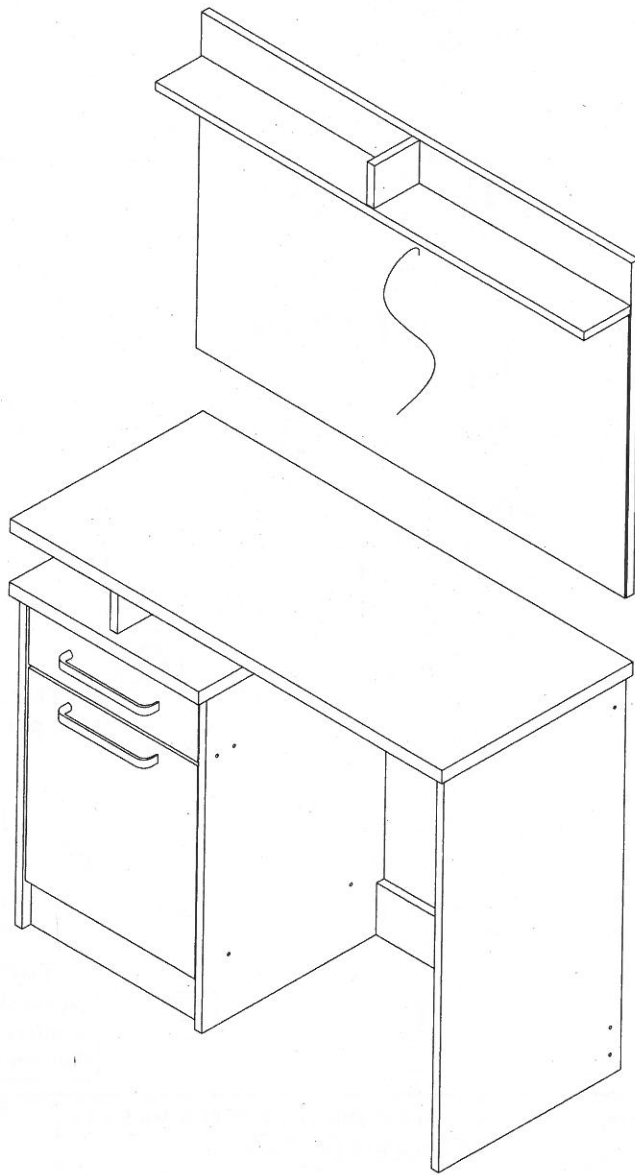


CAUTION:

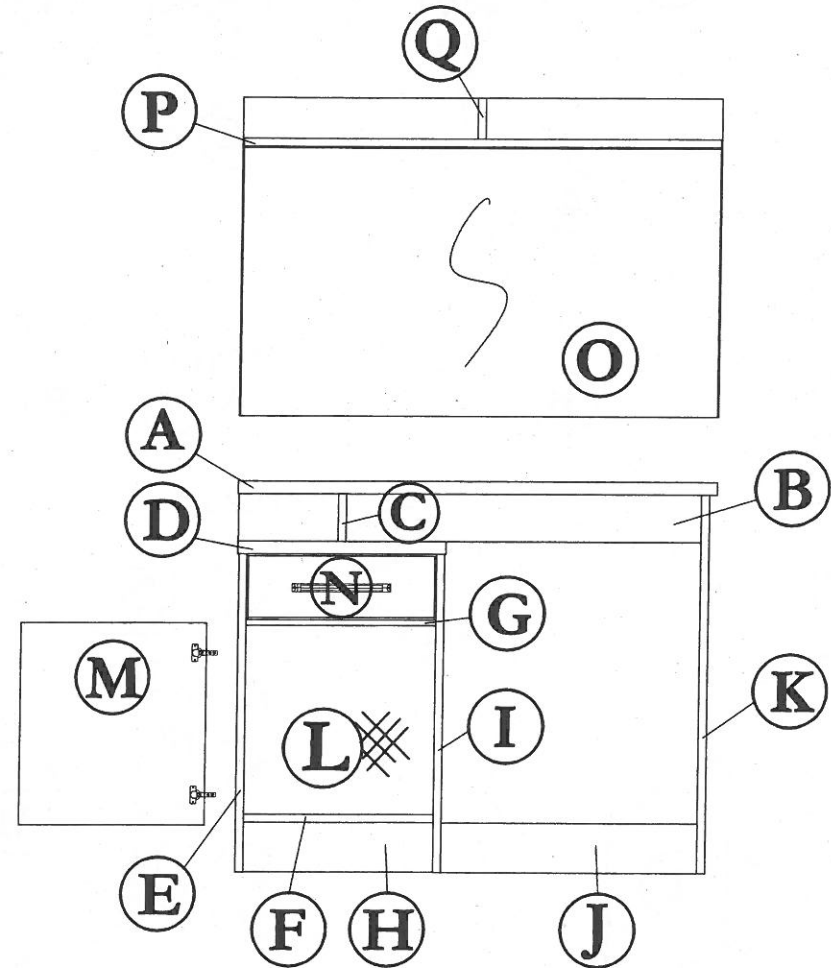
To clean use soft, dry cloth. Do not use detergent or chemicals
Avoid contact with water and direct sunlight.
To be assembled on a soft, dry, clean and smooth surface.



COMPLETE SET

ORDERING REPAIR PARTS

In order to obtain smooth and rapid service when ordering repair parts,
please give full attention to the following of PART NUMBER.



NO	DESCRIPTION	QTY
A	TOP	01
B	BACK SUPPORT	01
C	CENTRE VERTICAL	01
D	TOP	01
E	LEFT SIDE	01
F	LOWER SHELF	01
G	HORIZONTAL SHELF	01
H	LEG (Left Side)	01
I	CENTRE VERTICAL	01

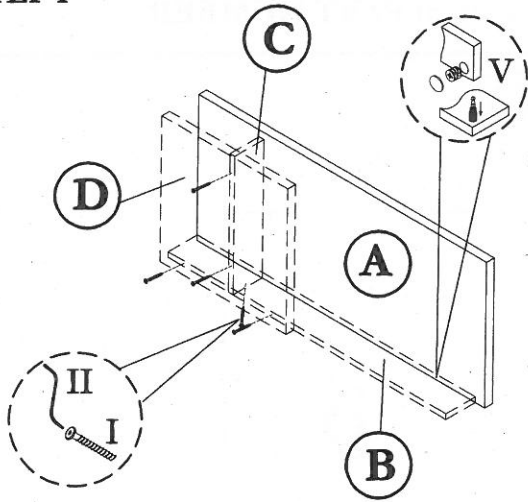
NO	DESCRIPTION	QTY
J	LEG (Right Side)	01
K	RIGHT SIDE	01
L	BACK	01
M	DOOR	01
N	DRAWER FACE	01
O	VERTICAL GLASS	01
P	CENTRE SHELF	01
Q	CENTRE VERTICAL	01

ASSEMBLY INSTRUCTION

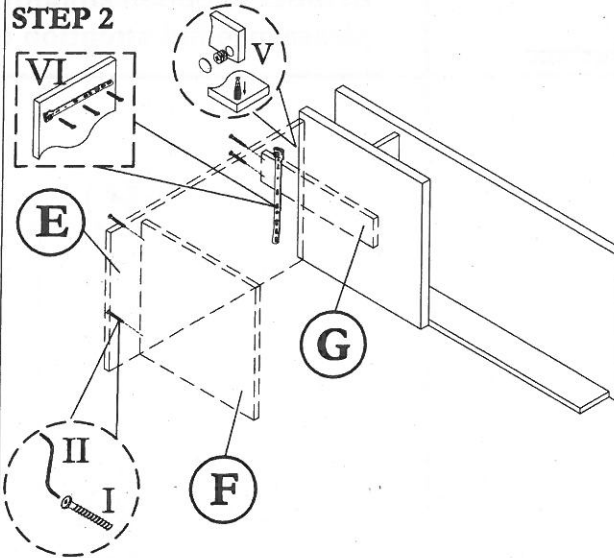
MODEL : 5576 / DRESSING TABLE

Before you begin, please follow assembly instruction carefully.
Then follow them step by step.

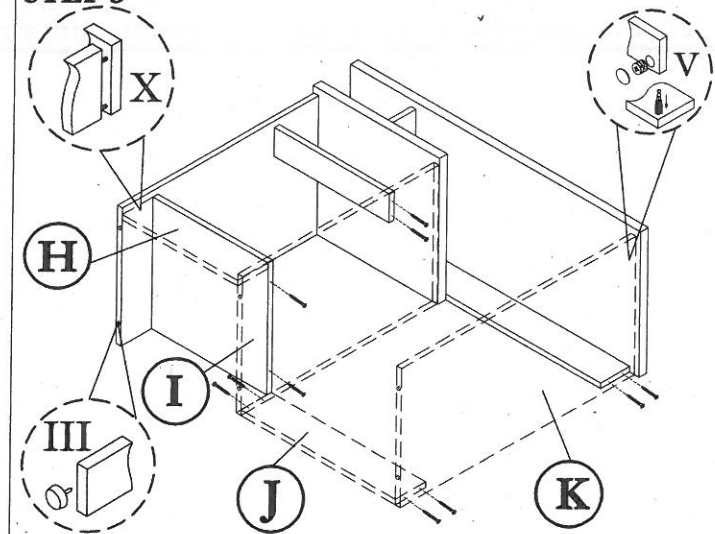
STEP 1



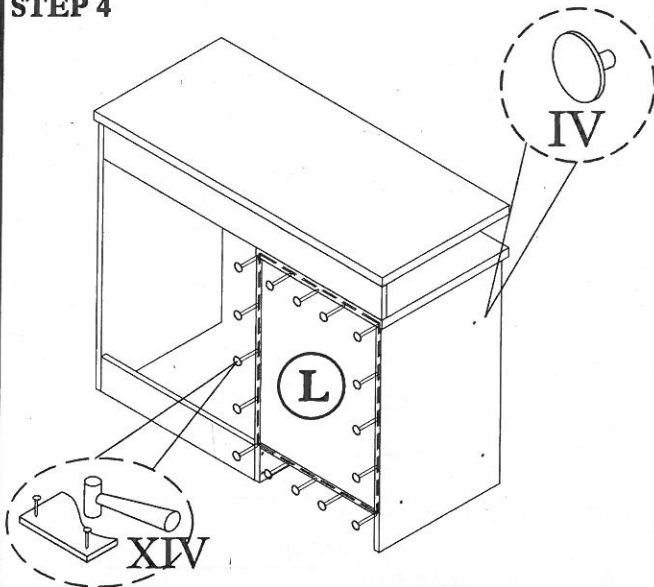
STEP 2



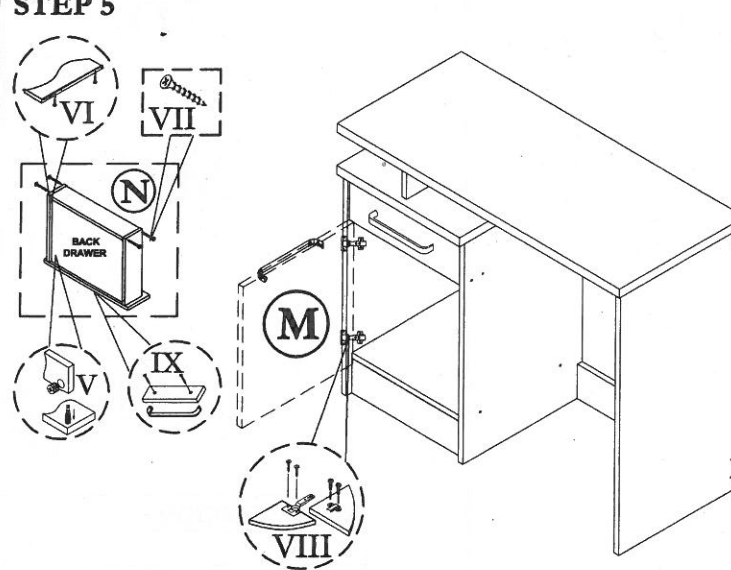
STEP 3



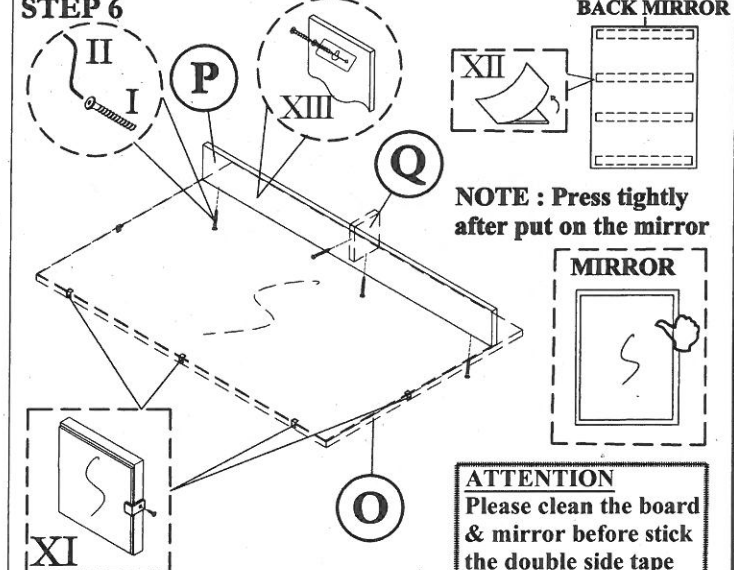
STEP 4



STEP 5



STEP 6



HARDWARE LIST			
NO	DESCRIPTION		QTY
I	JCBCW SCREW M6 x 45		23pcs
II	M4 ALLEN KEY		1pc
III	PVC NAIL WITH PIN		6pcs
IV	CAP SMALL		12pcs

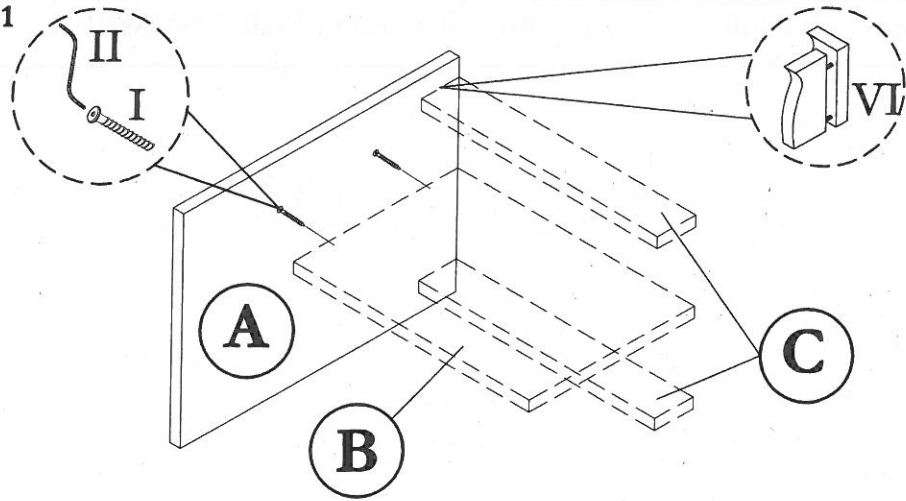
V	Q-FIT		11sets
VI	DRAWER SLIDER & SCREW M3.5 x 12		1sets
VII	M8 x 32 CHIPBOARD SCREW		4pcs
VIII	HINGE (C) & SCREW M3.5 x 16		2sets
IX	HANDLE & SCREW M3.5 x 30		2sets
X	M8 x 30 PLASTIC DOWEL		6pcs

XI	GLASS SUPPORT & SCREW M3.5 x 12		5sets
XII	DOUBLE SIDE TAPE		6pcs
XIII	WALL CABINET SUPPORT & SCREW M3.5 x 12		2sets
XIV	NAIL		20pcs

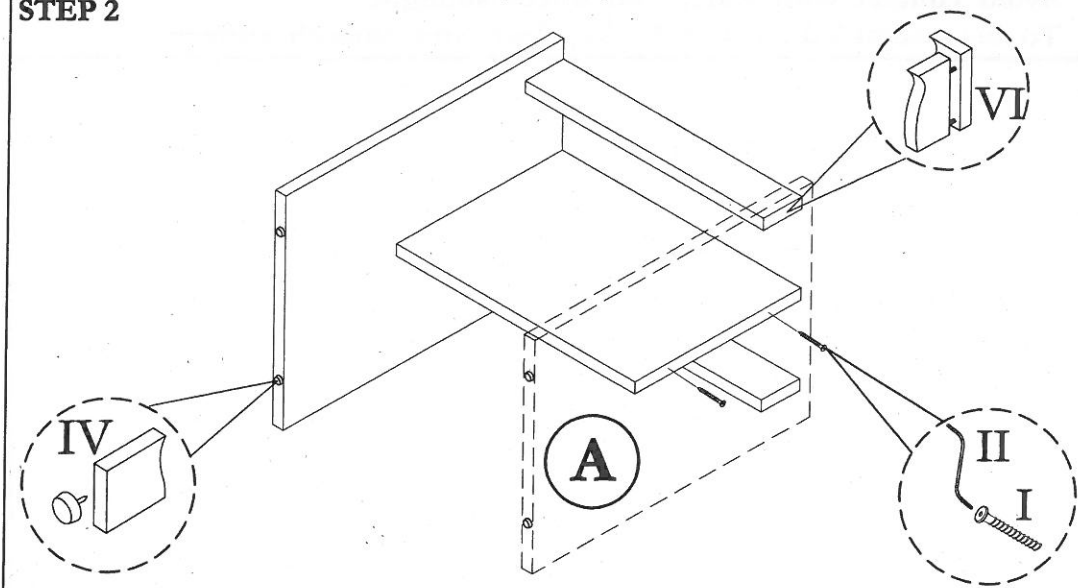
ASSEMBLY INSTRUCTION
MODEL : 5576 / CHAIR

Before you begin, please follow assembly instruction carefully.
 Then follow them step by step.

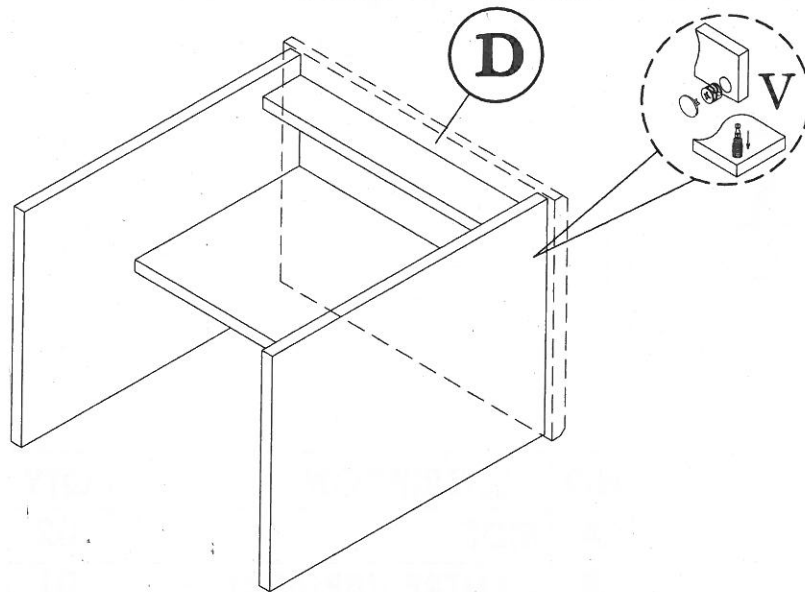
STEP 1



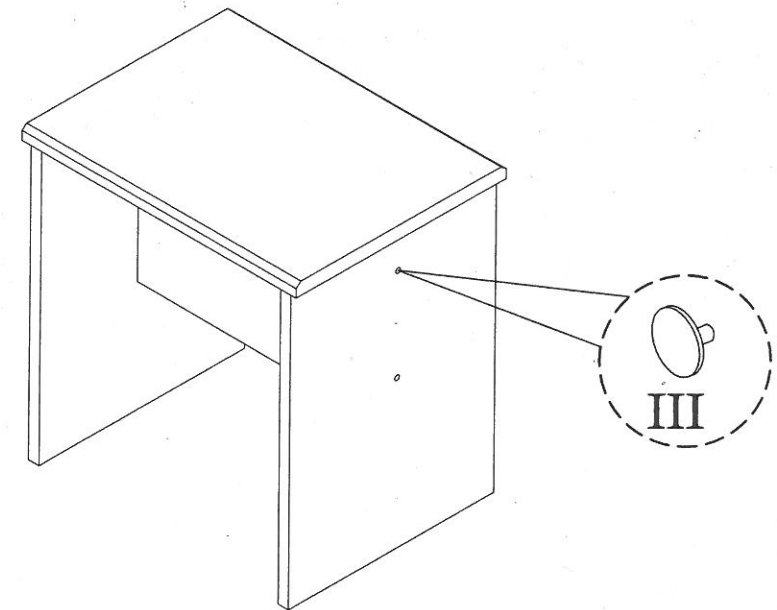
STEP 2



STEP 3



STEP 4



HARDWARE LIST

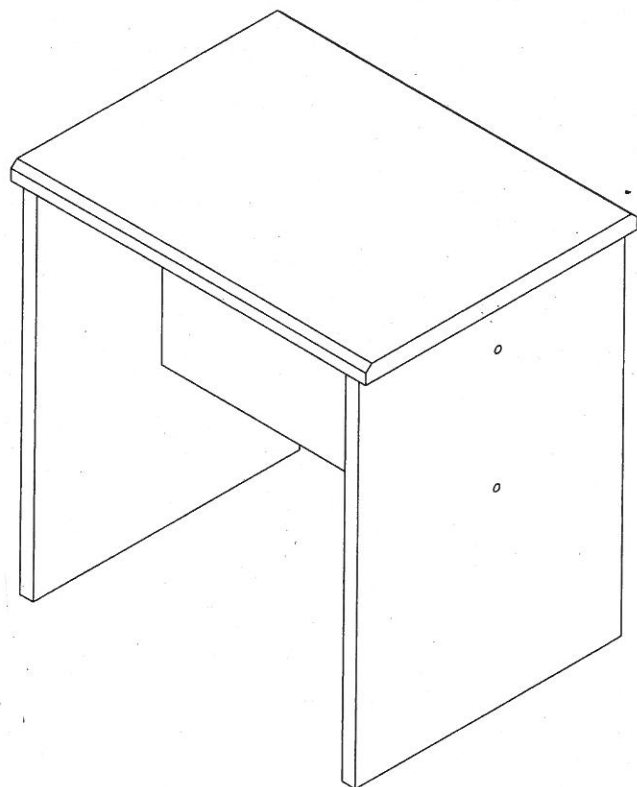
NO	DESCRIPTION	QTY
I	JCBCW SCREW M6 x 45	4pcs

II	M4 ALLEN KEY	1pc
III	CAP SMALL	4pcs
IV	PVC NAIL WITH PIN	4pcs

V	Q-FIT	4sets
VI	M8 x 30 PLASTIC DOWEL	8pcs

CAUTION:

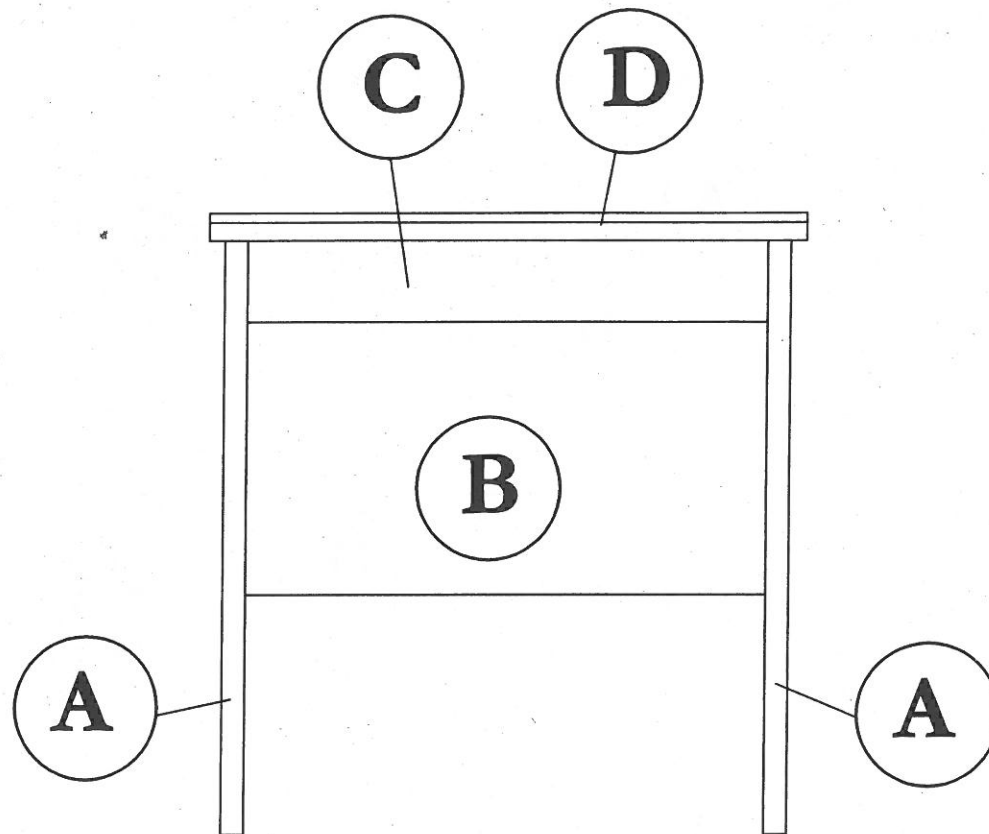
To clean use soft, dry cloth. Do not use detergent or chemicals
Avoid contact with water and direct sunlight.
To be assembled on a soft, dry, clean and smooth surface.



COMPLETE SET

ORDERING REPAIR PARTS

In order to obtain smooth and rapid service when ordering repair parts,
please give full attention to the following of PART NUMBER.



NO	DESCRIPTION	QTY
A	SIDE	02
B	CENTRE VERTICAL	01
C	TOP SUPPORT	02
D	TOP	01