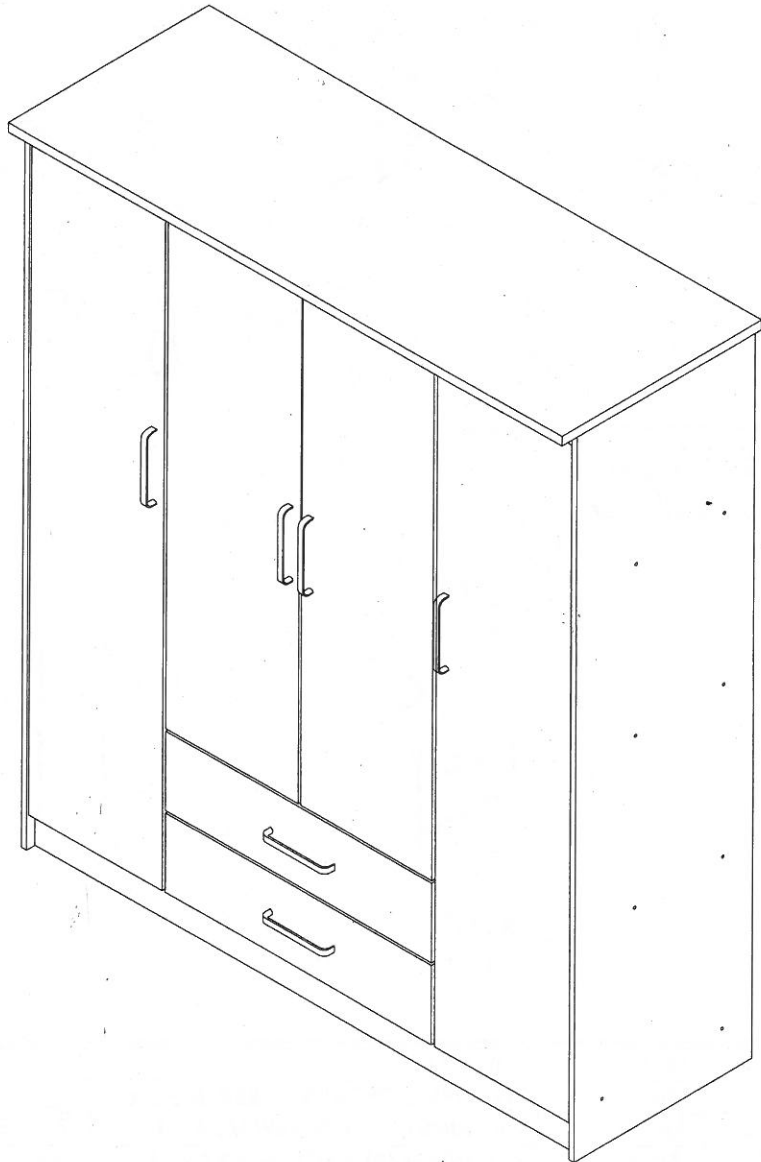


**CAUTION:**

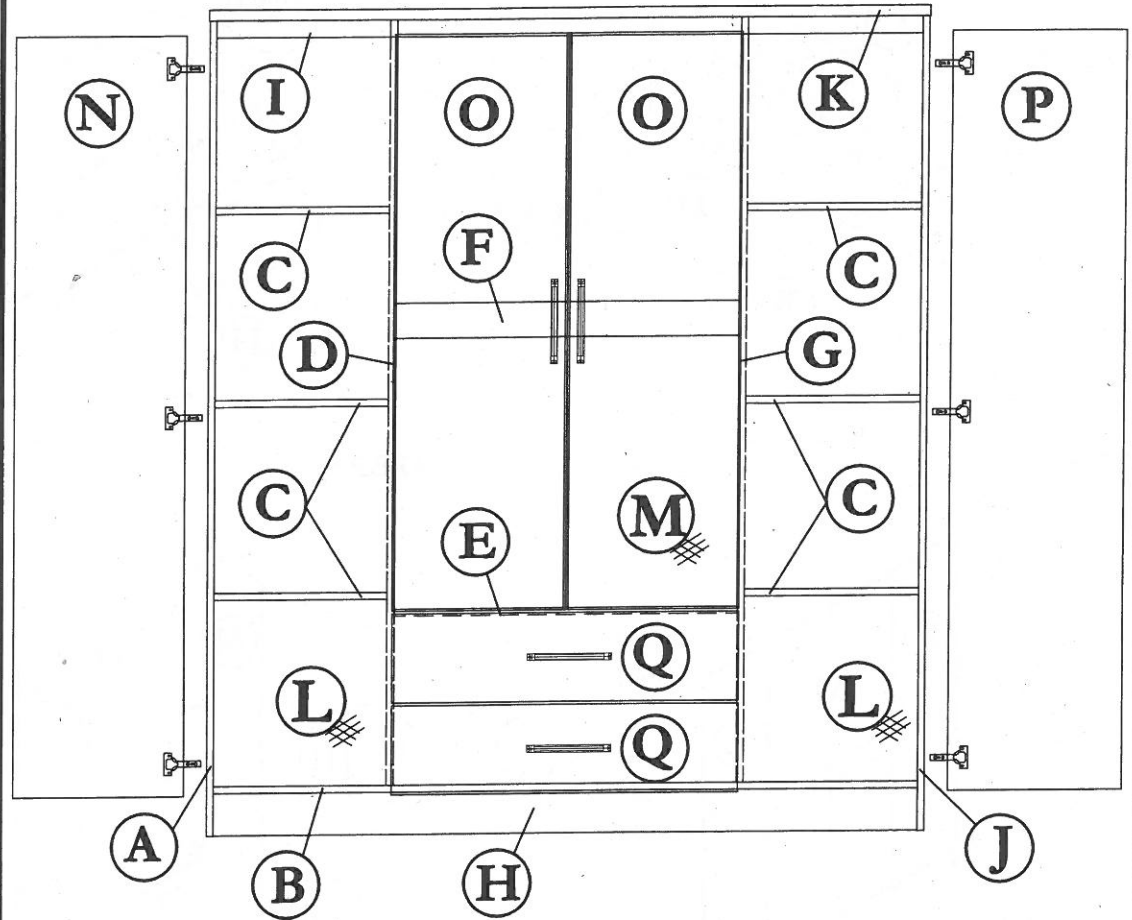
To clean use soft, dry cloth. Do not use detergent or chemicals  
Avoid contact with water and direct sunlight.  
To be assembled on a soft, dry, clean and smooth surface.



**COMPLETE SET**

**ORDERING REPAIR PARTS**

In order to obtain smooth and rapid service when ordering repair parts,  
please give full attention to the following of PART NUMBER.

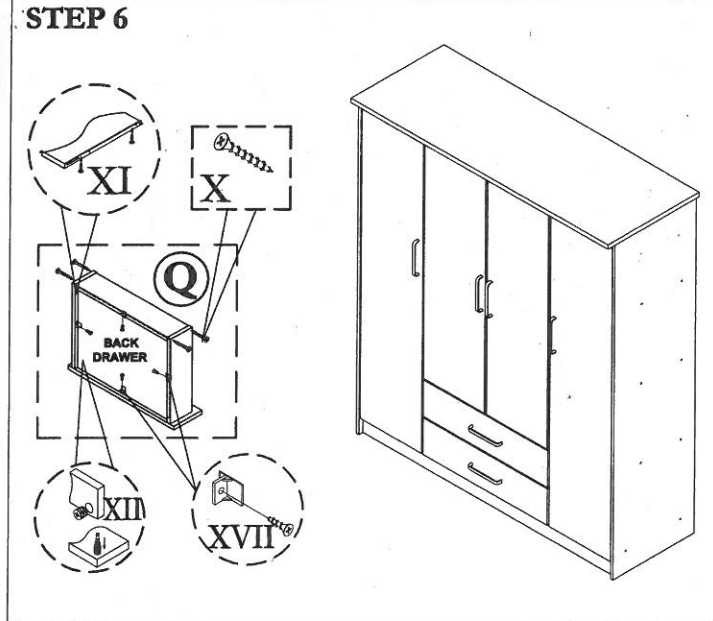
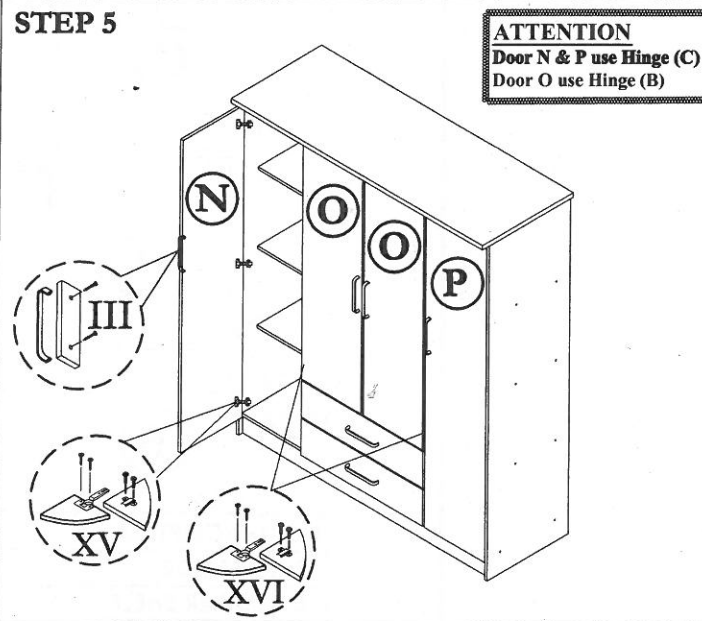
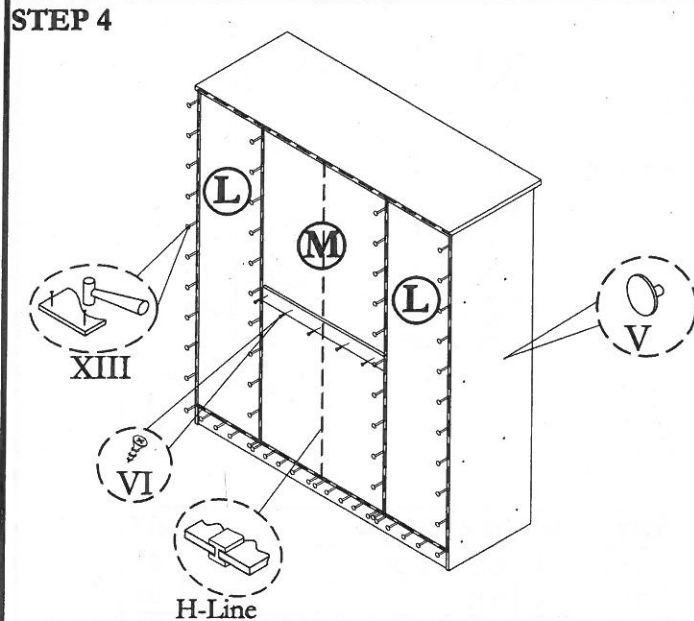
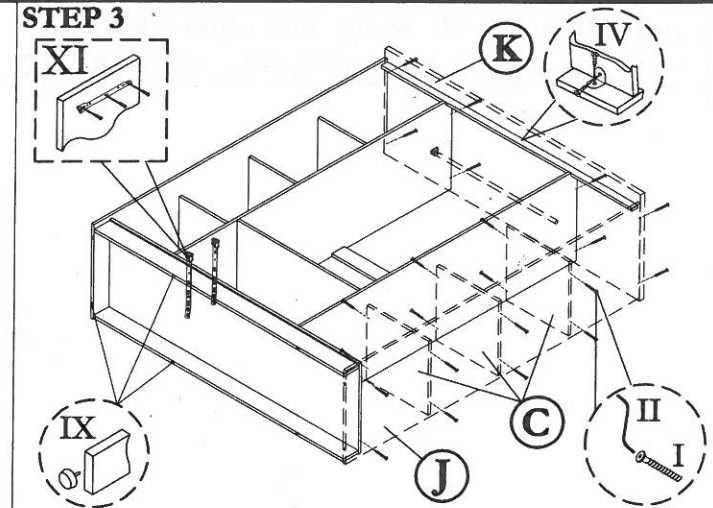
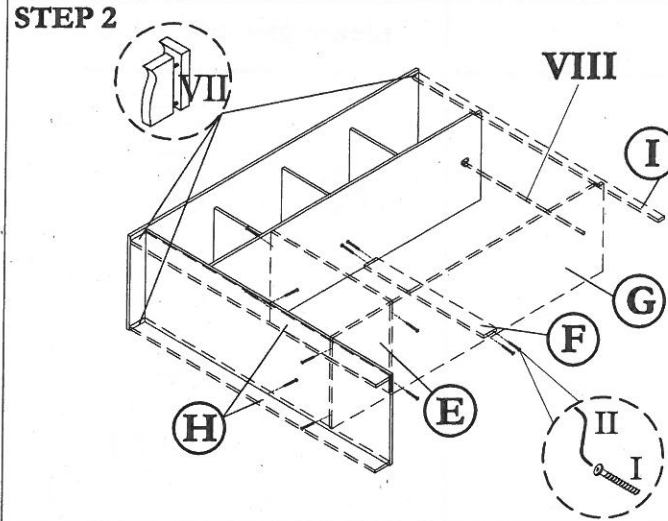
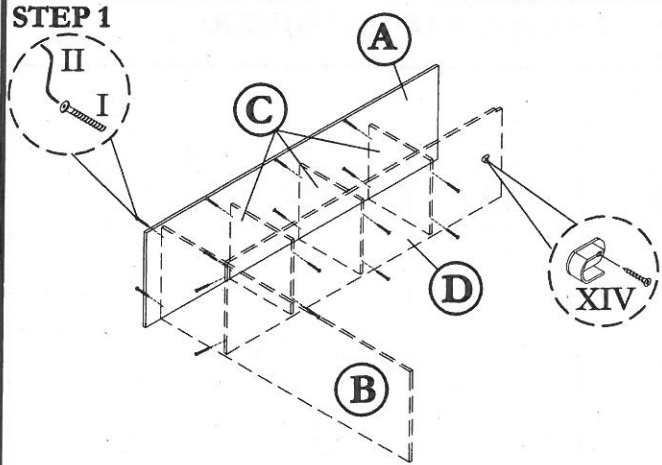


NO	DESCRIPTION	QTY
A	LEFT SIDE	01
B	LOWER SHELF	01
C	CENTRE SHELF	06
D	CENTER VERTICAL	01
E	CENTRE SHELF	01
F	BACK SUPPORT	01
G	CENTER VERTICAL	01
H	LEG	02
I	TOP SUPPORT	01

NO	DESCRIPTION	QTY
J	RIGHT SIDE	01
K	TOP	01
L	BACK (Left/Right)	02
M	BACK (Centre)	02
N	LEFT SIDE DOOR	01
O	DOOR (Centre)	02
P	RIGHT SIDE DOOR	01
Q	DRAWER FACE	02

**ASSEMBLY INSTRUCTION**  
**MODEL : 9265 D / WARDROBE**

Before you begin, please follow assembly instruction carefully.  
 Then follow them step by step.



HARDWARE LIST			
NO	DESCRIPTION		QTY
I	JCBCW SCREW M6 x 45		50pcs
II	M4 ALLEN KEY		1pc
III	HANDLE & SCREW M3.5 x 30		6sets
IV	L BRACKET & SCREW M3.5 x 12		1sets
V	CAP SMALL		16pcs

VI	M3.5 x 12 CHIPBOARD SCREW		5pcs
VII	PLASTIC DOWEL		10pcs
VIII	PIPE SIZE : 29 4/8"		1pc
IX	PVC NAIL WITH PIN		8pcs
X	M8 x 32 CHIPBOARD SCREW		8pcs
XI	14" DRAWER SLIDER & SCREW M3.5 x 12		2sets
XII	Q-FIT		8sets

XIII	NAIL		100pcs
XIV	PIPE SUPPORT & SCREW M3.5 x 16		2sets
XV	HINGE (C) & SCREW M3.5 x 16		6sets
XVI	HINGE (B) & SCREW M3.5 x 16		4sets
XVII	DRAWER SUPPORT & SCREW M3.5 x 12		8sets