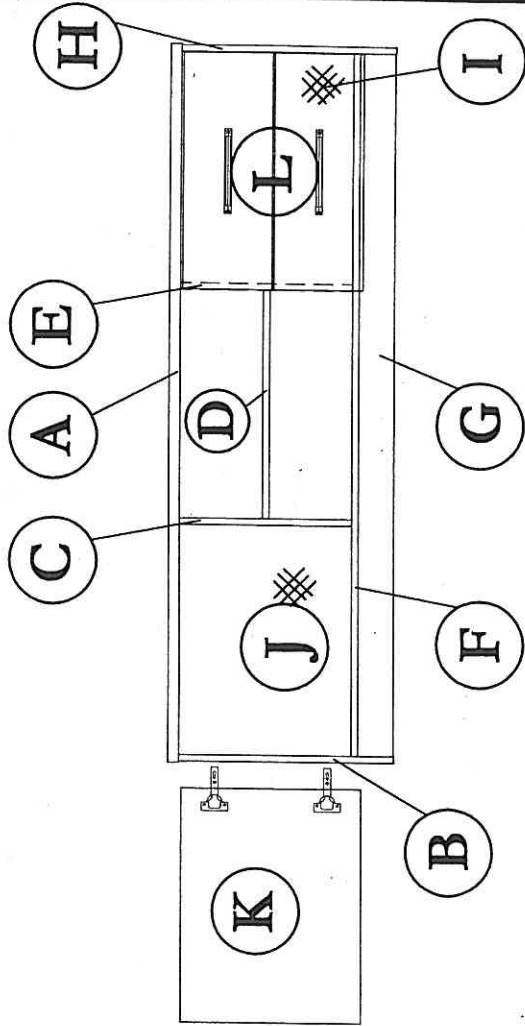
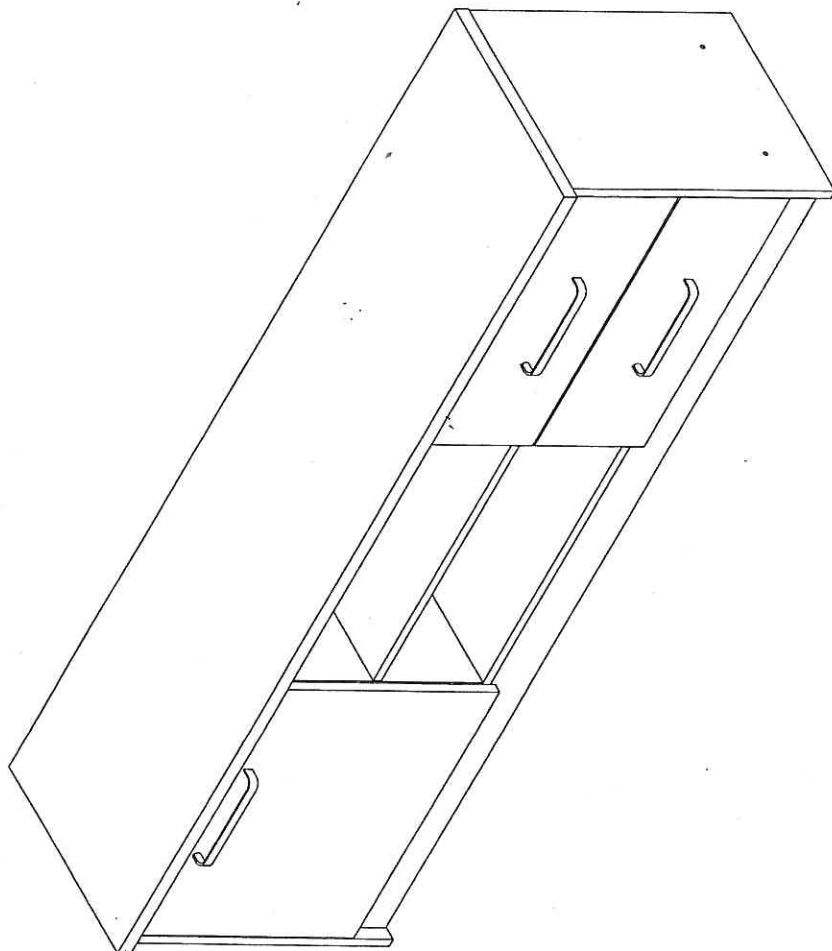


CAUTION:

To clean use soft, dry cloth. Do not use detergent or chemicals
Avoid contact with water and direct sunlight.
To be assembled on a soft, dry, clean and smooth surface.

ORDERING REPAIR PARTS

In order to obtain smooth and rapid service when ordering repair parts,
please give full attention to the following of PART NUMBER.



NO	DESCRIPTION	QTY
A	TOP	01
B	LEFT SIDE	01
C	CENTRE VERTICAL	01
D	CENTRE SHELF	01
E	CENTRE VERTICAL	01
F	LOWER SHELF	01

NO	DESCRIPTION	QTY
G	LEG	02
H	RIGHT SIDE	01
I	BACK (Right)	01
J	BACK (Left)	01
K	DOOR	01
L	DRAWER FACE	02

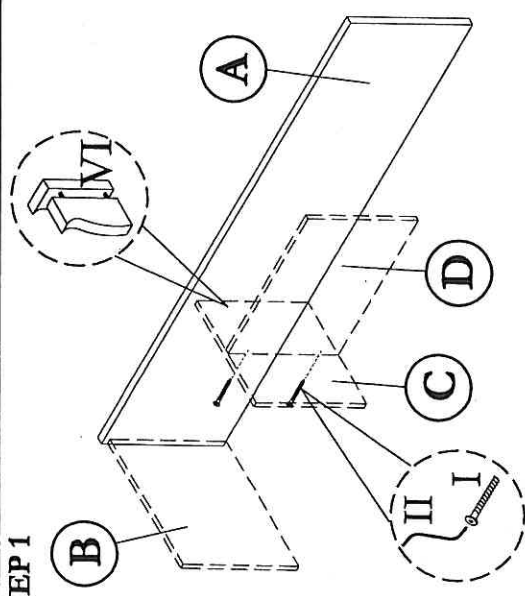
COMPLETE SET

ASSEMBLY INSTRUCTION
MODEL : 8200 / TV CABINET

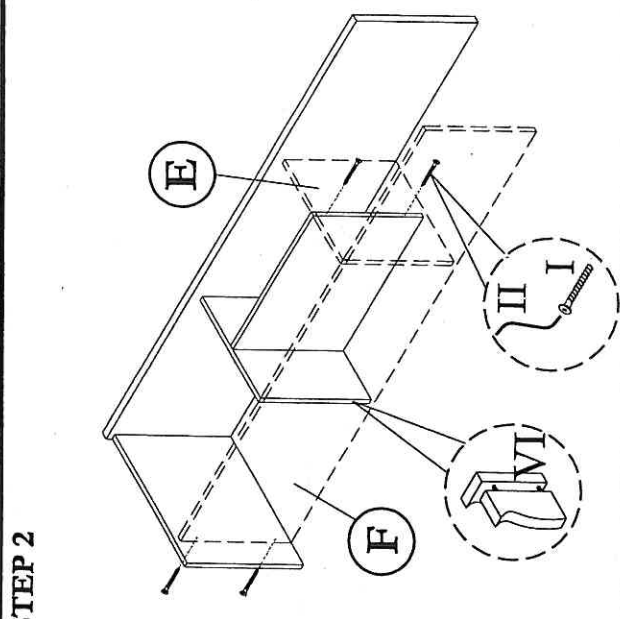
Before you begin, please follow assembly instruction carefully.
 Then follow them step by step.

20

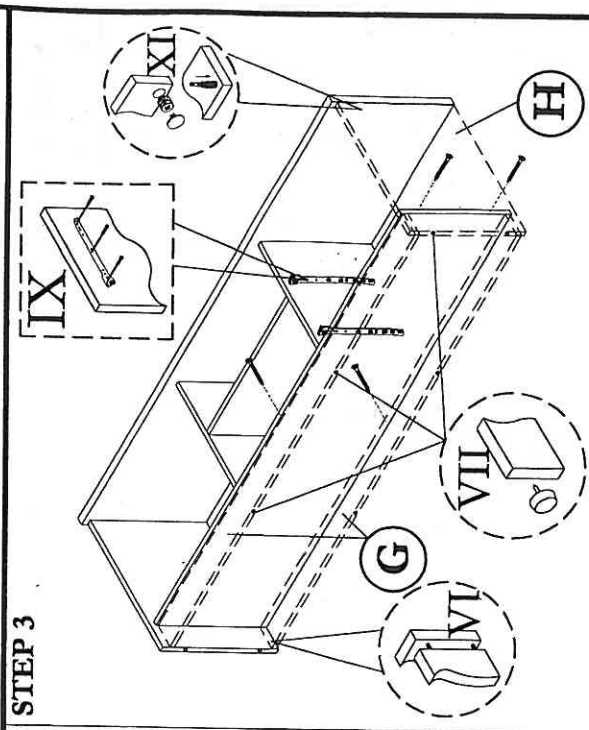
STEP 1



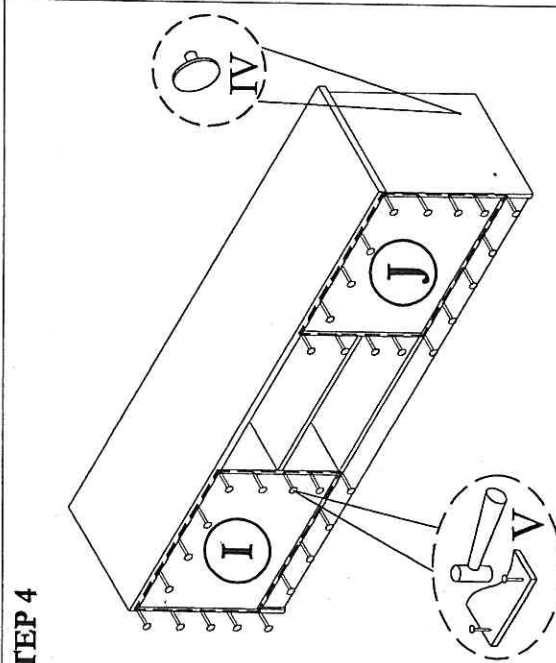
STEP 2



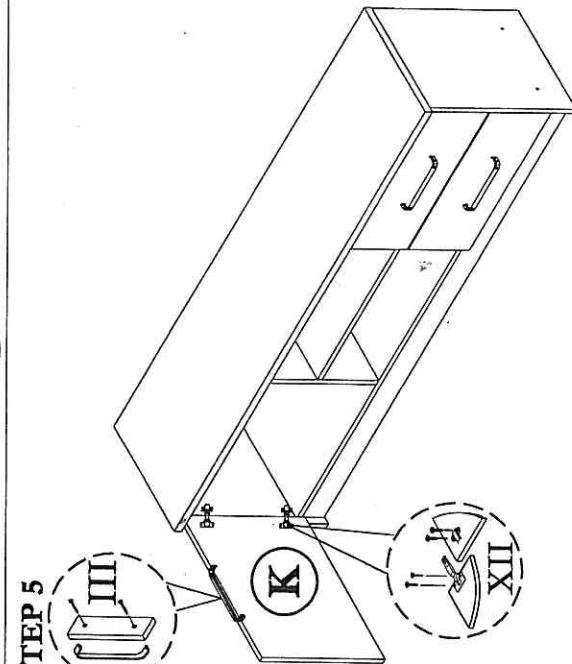
STEP 3



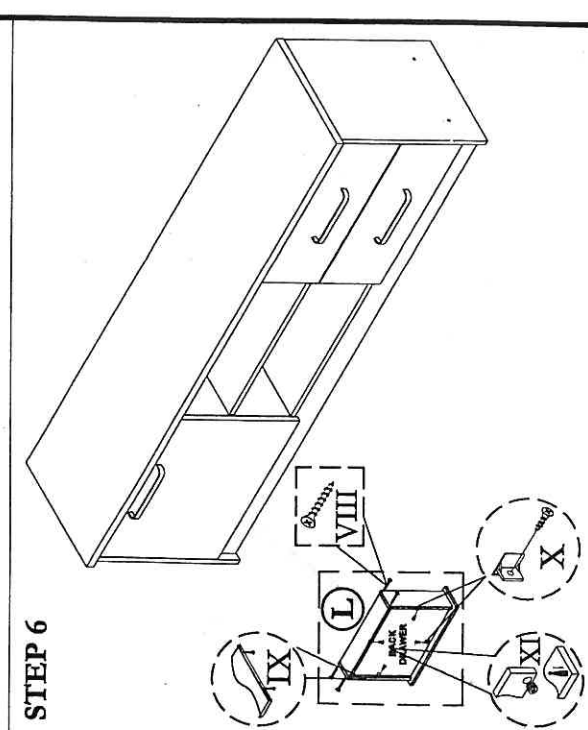
STEP 4



STEP 5



STEP 6



HARDWARE LIST		QTY
NO	DESCRIPTION	
I	JCBCW SCREW M6 x 45	10pcs
II	M4 ALLEN KEY	1pc
III	HANDLE & SCREW M3.5 x 30	3sets

IV	CAP SMALL	6pcs
V	NAIL	40pcs
VI	M8 x 30 PLASTIC DOWEL	16pcs
VII	PVC NAIL WITH PIN	8pcs
VIII	M8 x 32 CHIPBOARD SCREW	8pcs

IX	DRAWER SLIDER & SCREW M3.5 x 12	2sets
X	DRAWER SUPPORT & SCREW M3.5 x 12	8sets
XI	Q-FIT	12sets
XII	HINGE (C) & SCREW M3.5 x 16	2sets