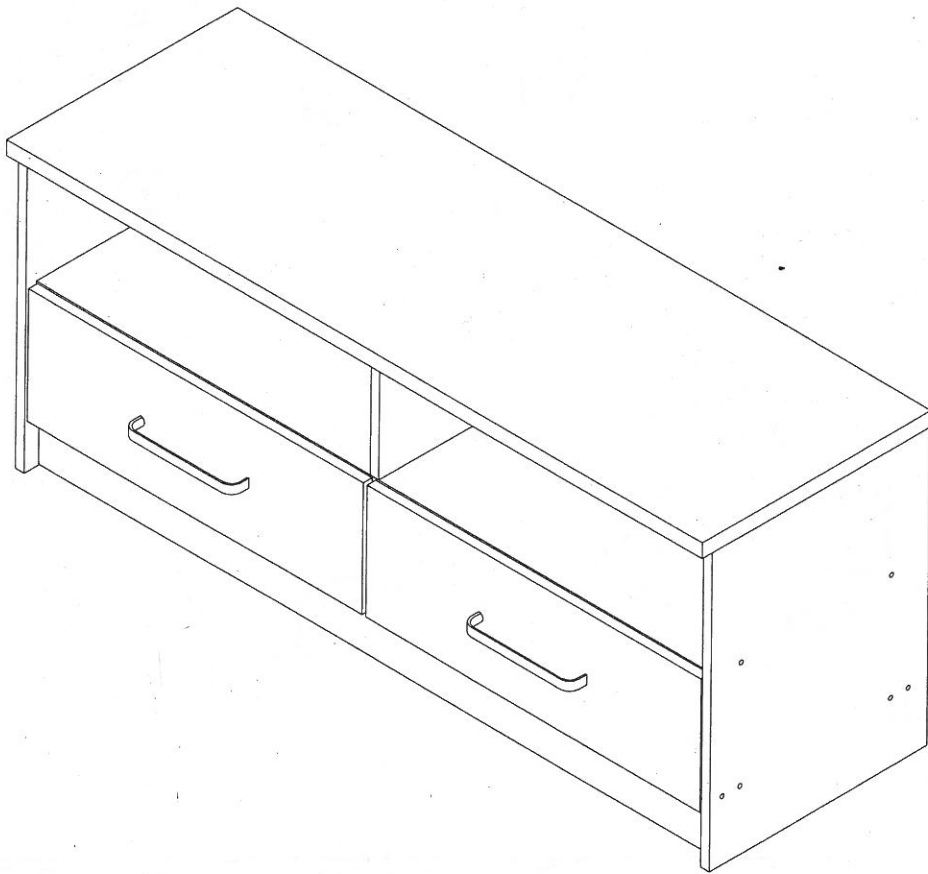


**CAUTION:**

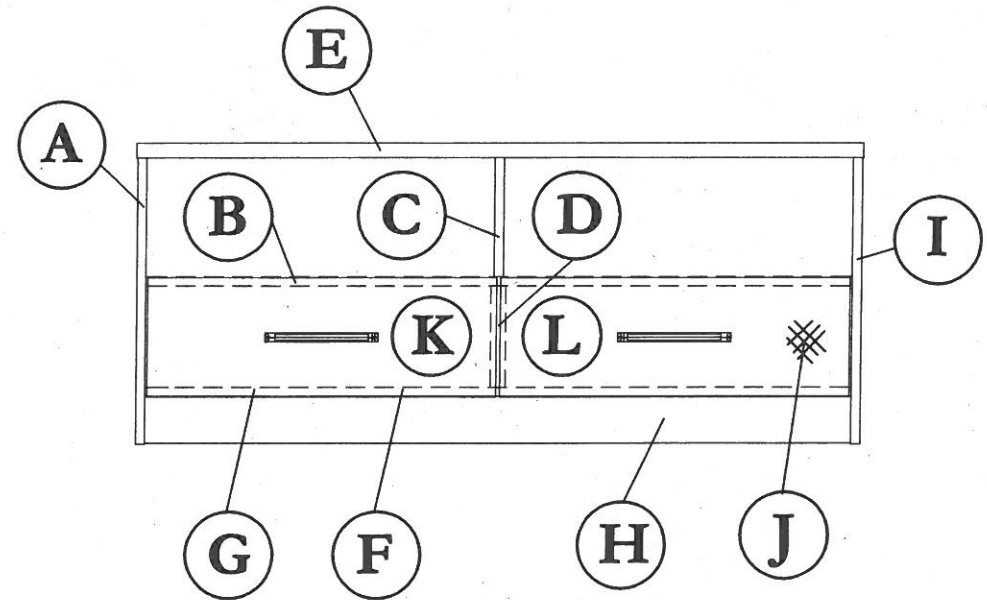
To clean use soft, dry cloth. Do not use detergent or chemicals  
 Avoid contact with water and direct sunlight.  
 To be assembled on a soft, dry, clean and smooth surface.



# COMPLETE SET

**ORDERING REPAIR PARTS**

In order to obtain smooth and rapid service when ordering repair parts, please give full attention to the following of PART NUMBER.



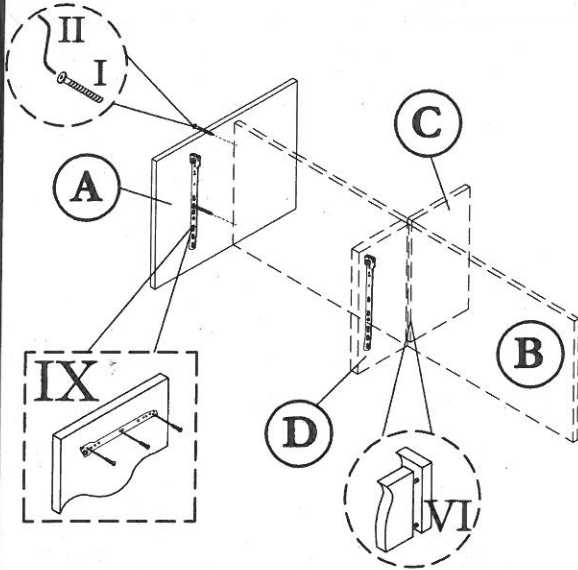
NO	DESCRIPTION	QTY
A	LEFT SIDE	01
B	CENTRE SHELF	01
C	CENTRE VERTICAL (Up)	01
D	CENTRE VERTICAL (Down)	01
E	UPPER SHELF	01
F	LOWER SHELF (Front)	01

NO	DESCRIPTION	QTY
G	LOWER SHELF (Back)	01
H	LEG	01
I	RIGHT SIDE	01
J	BACK	01
K	DRAWER FACE (Left)	01
L	DRAWER FACE (Right)	01

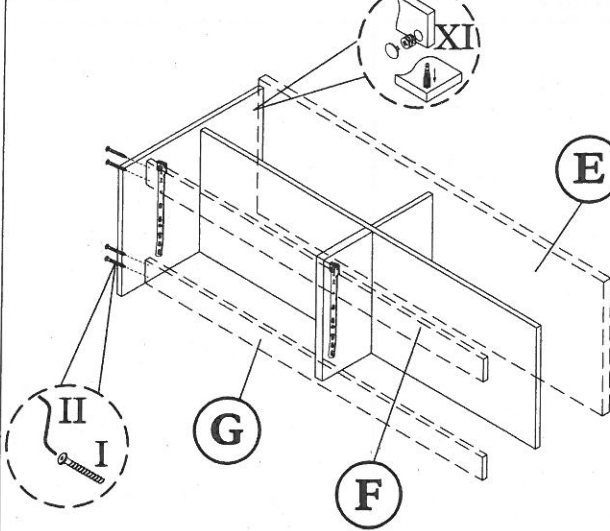
**ASSEMBLY INSTRUCTION**  
**MODEL : 8198 / TV CABINET**

Before you begin, please follow assembly instruction carefully.  
 Then follow them step by step.

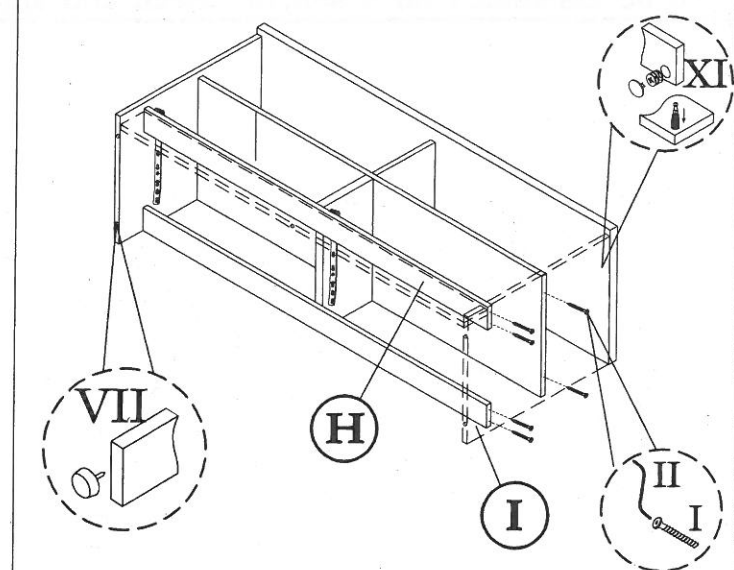
**STEP 1**



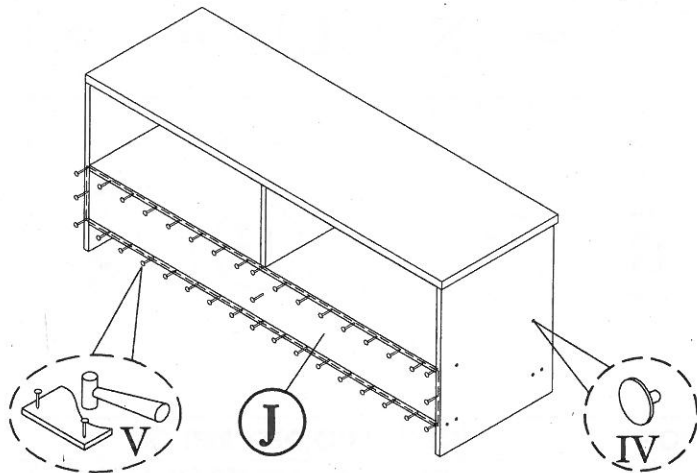
**STEP 2**



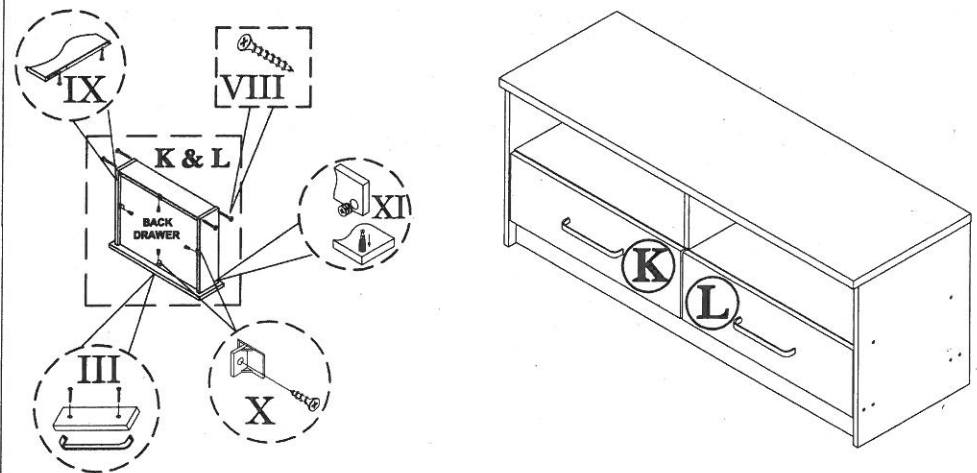
**STEP 3**



**STEP 4**



**STEP 5**



HARDWARE LIST			
NO	DESCRIPTION		QTY
I	JCBCW SCREW M6 x 45		12pcs
II	M4 ALLEN KEY		1pc
III	HANDLE & SCREW M3.5 x 30		2sets

IV	CAP SMALL		12pcs
V	NAIL		30pcs
VI	M8 x 30 PLASTIC DOWEL		12pcs
VII	PVC NAIL WITH PIN		5pcs
VIII	M8 x 32 CHIPBOARD SCREW		8pcs

IX	DRAWER SLIDER & SCREW M3.5 x 12		2sets
X	DRAWER SUPPORT & SCREW M3.5 x 12		8sets
XI	Q-FIT		12sets