

CAUTION:

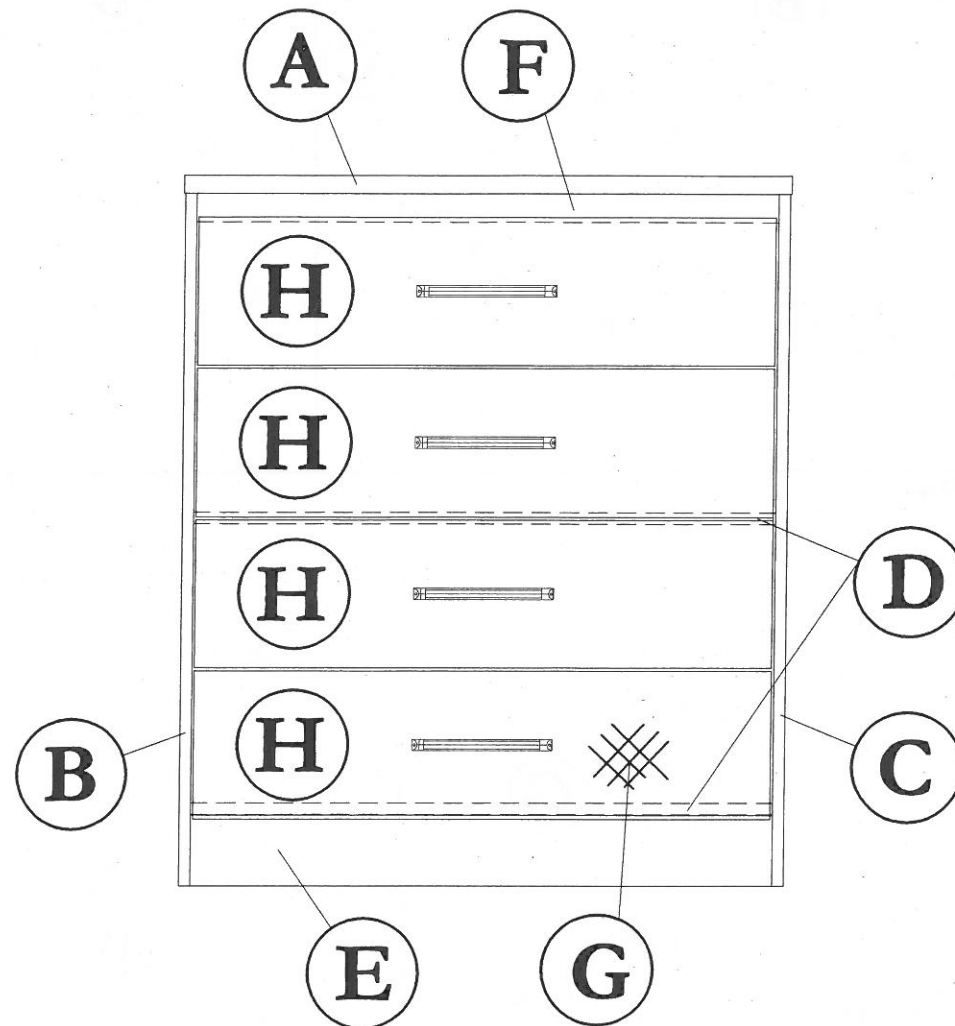
To clean use soft, dry cloth. Do not use detergent or chemicals
Avoid contact with water and direct sunlight.
To be assembled on a soft, dry, clean and smooth surface.



COMPLETE SET

ORDERING REPAIR PARTS

In order to obtain smooth and rapid service when ordering repair parts, please give full attention to the following of PART NUMBER.



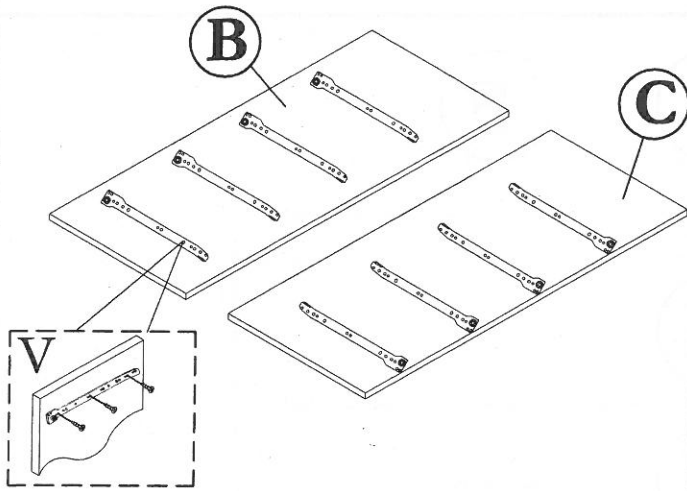
NO	DESCRIPTION	QTY
A	TOP	01
B	LEFT SIDE	01
C	RIGHT SIDE	01
D	HORIZONTAL SHELF	02

NO	DESCRIPTION	QTY
E	LEG	01
F	TOP SUPPORT	01
G	BACK	02
H	DRAWER FACE	04

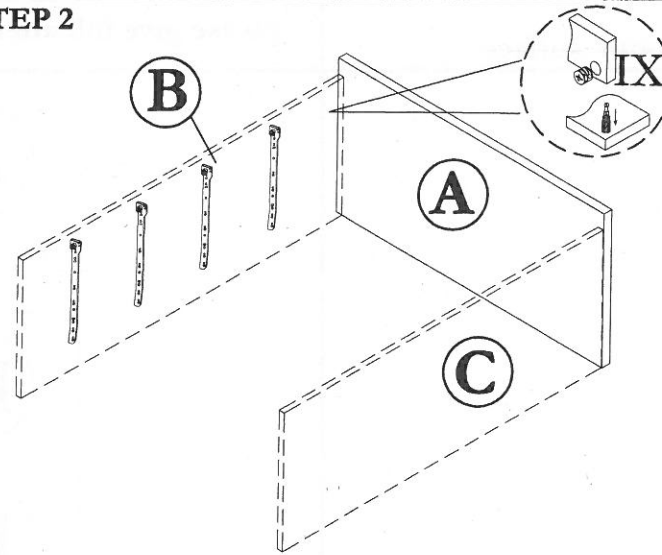
ASSEMBLY INSTRUCTION
MODEL : 4090 / CHEST OF DRAWER

Before you begin, please follow assembly instruction carefully.
 Then follow them step by step.

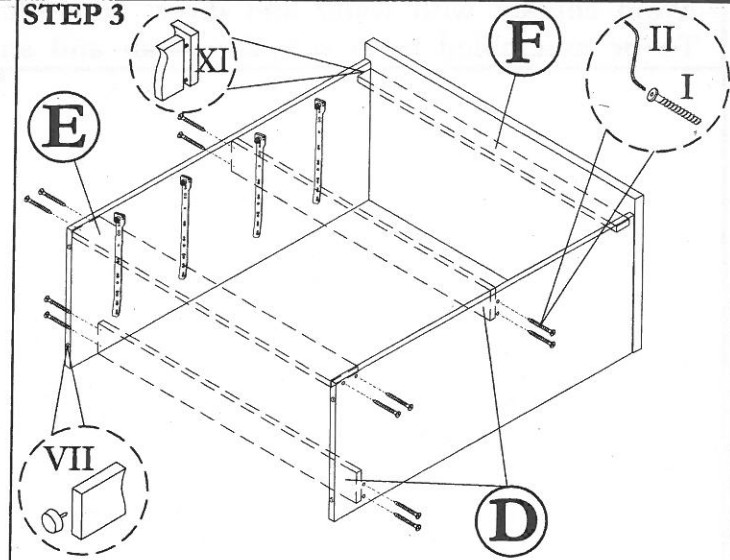
STEP 1



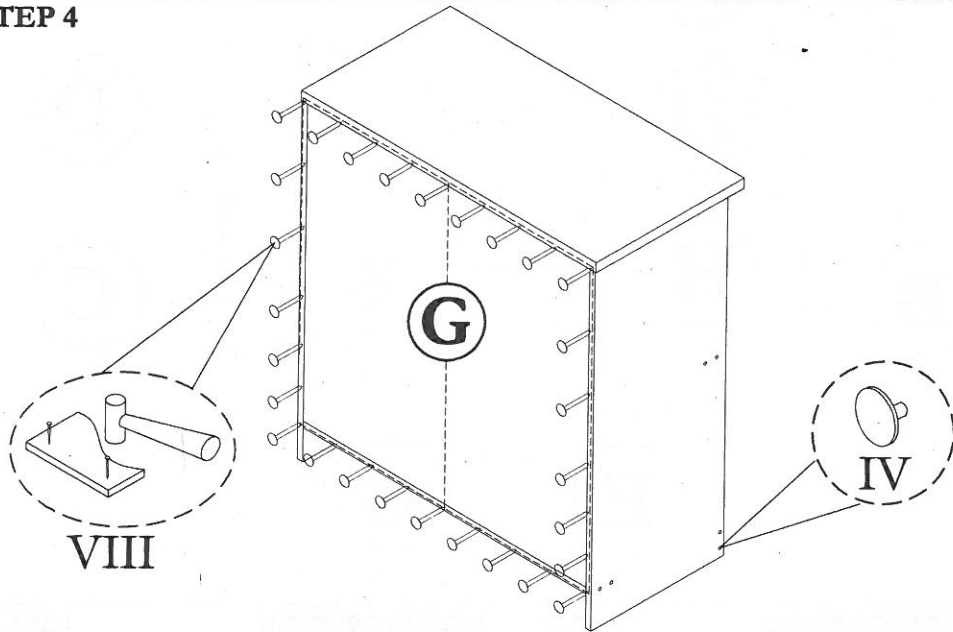
STEP 2



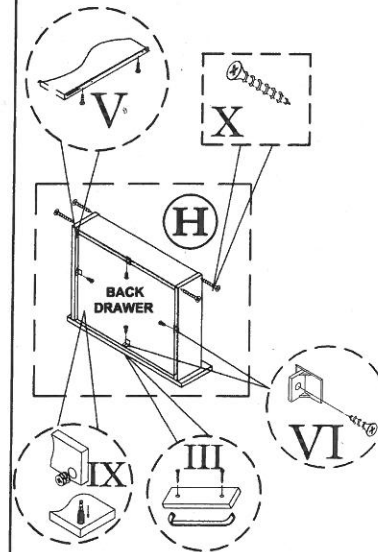
STEP 3



STEP 4



STEP 5



HARDWARE LIST			
NO	DESCRIPTION		QTY
I	JCBCW SCREW M6 x 45		12pcs
II	M4 ALLEN KEY		1pc
III	HANDLE & SCREW M3.5 x 30		4sets

IV	CAP SMALL		12pcs
V	DRAWER SLIDER & SCREW M3.5 x 12		4sets
VI	DRAWER SUPPORT & SCREW M3.5 x 12		16sets
VII	PVC NAIL WITH PIN		4pcs
VIII	NAIL		40pcs

IX	Q-FIT		20sets
X	M8 X 32 CHIPBOARD SCREW		16pcs
XI	PLASTIC DOWEL		2pcs