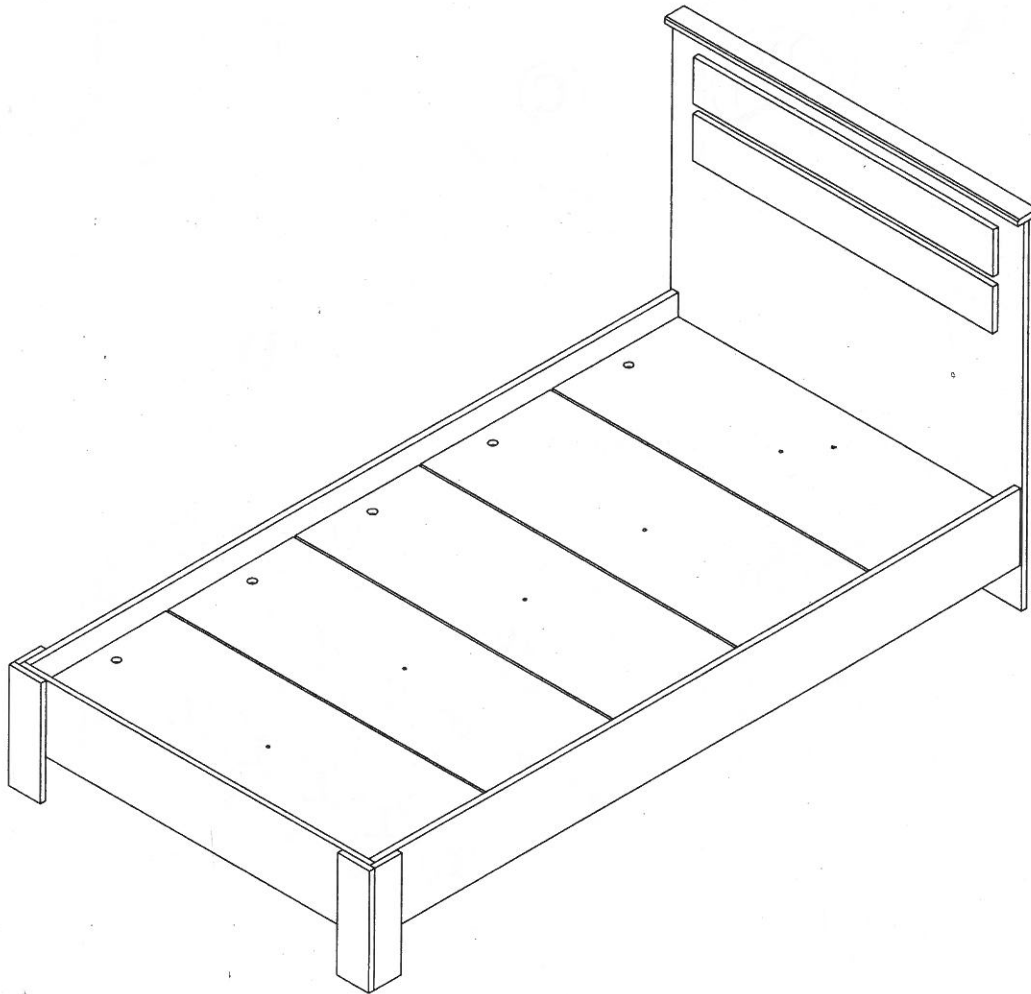


**CAUTION:**

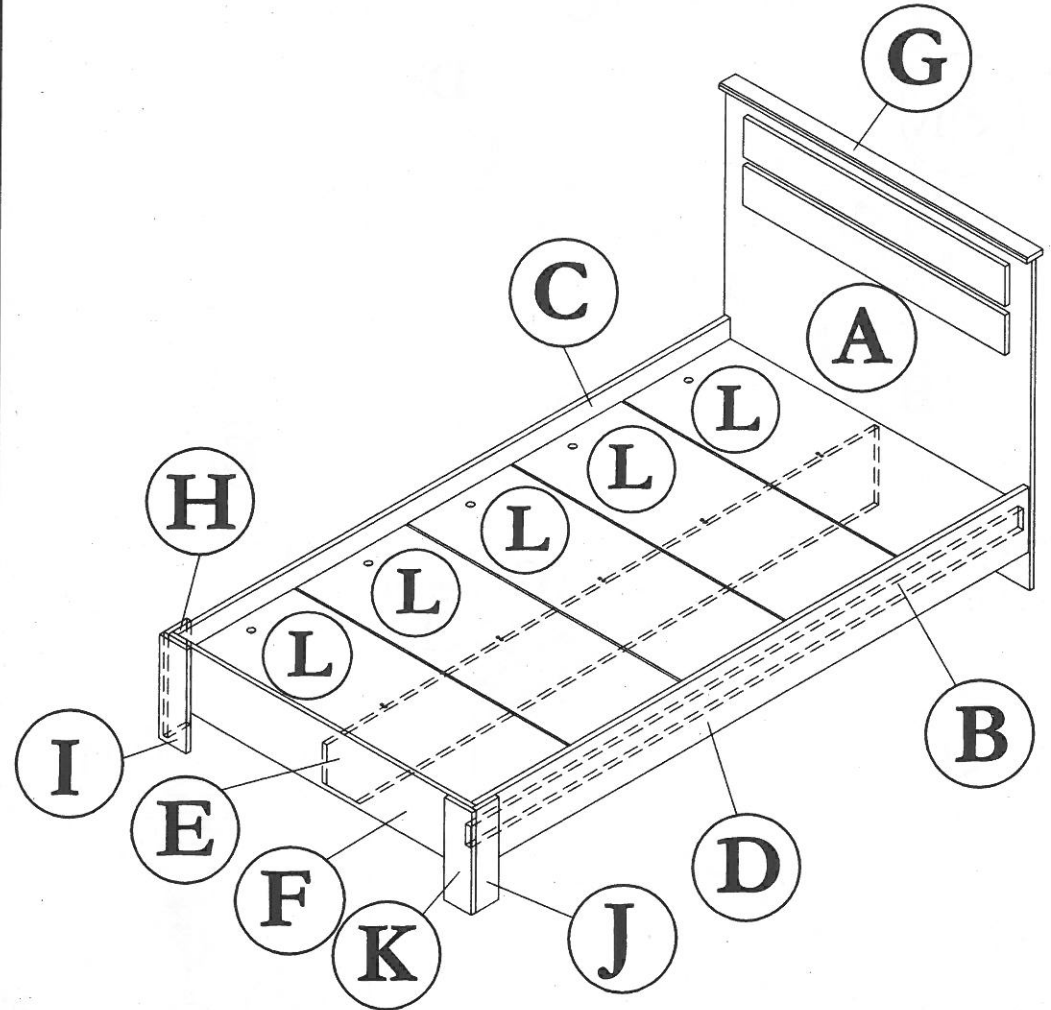
To clean use soft, dry cloth. Do not use detergent or chemicals  
Avoid contact with water and direct sunlight.  
To be assembled on a soft, dry, clean and smooth surface.



**COMPLETE SET**

**ORDERING REPAIR PARTS**

In order to obtain smooth and rapid service when ordering repair parts,  
please give full attention to the following of PART NUMBER.



NO	DESCRIPTION	QTY
A	BACK VERTICAL	01
B	SIDE SUPPORT	02
C	LEFT SIDE	01
D	RIGHT SIDE	01
E	CENTRE VERTICAL	01
F	FRONT VERTICAL	01
G	WRAPPING	01

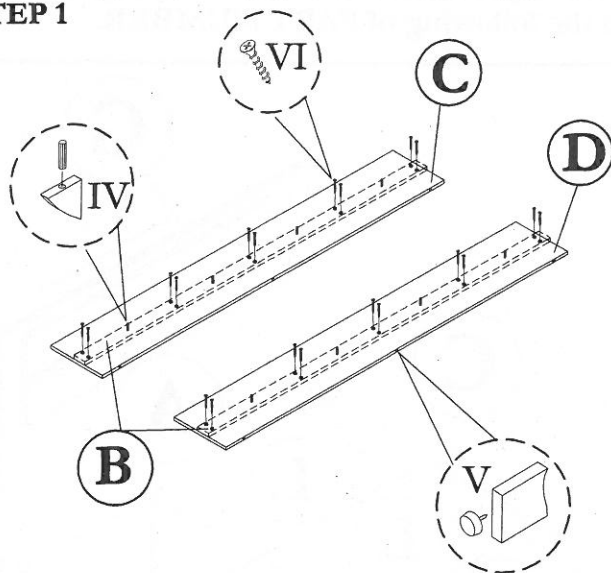
NO	DESCRIPTION	QTY
H	LEFT SIDE VERTICAL	01
I	FRONT VERTICAL (Left)	01
J	RIGHT SIDE VERTICAL	01
K	FRONT VERTICAL (Right)	01
L	DECORATIVE BOARD	05

# ASSEMBLY INSTRUCTION

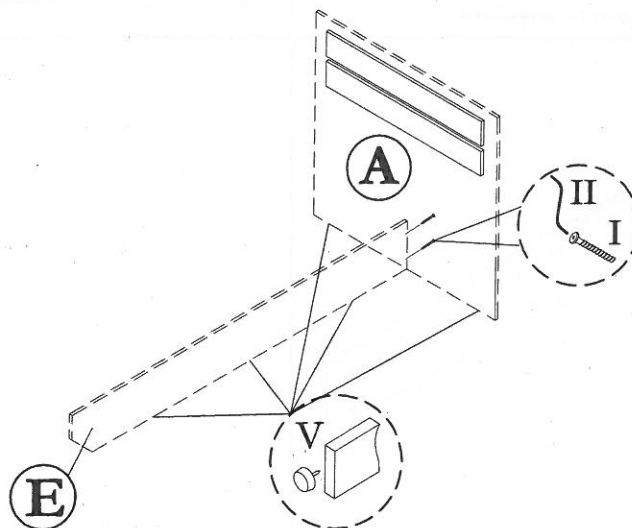
## MODEL : 4852 SB / SINGLE BED

Before you begin, please follow assembly instruction carefully.  
Then follow them step by step.

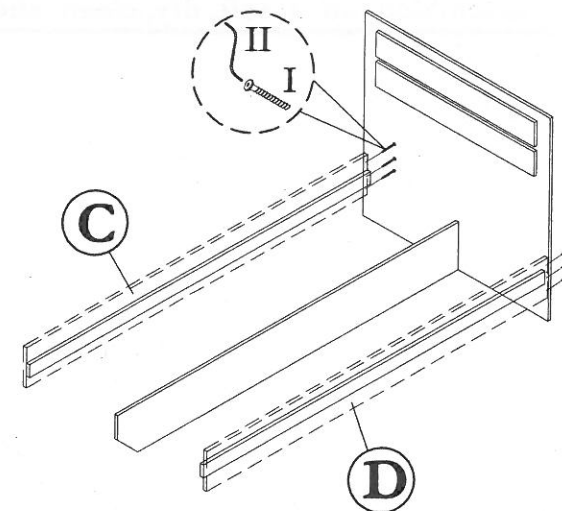
STEP 1



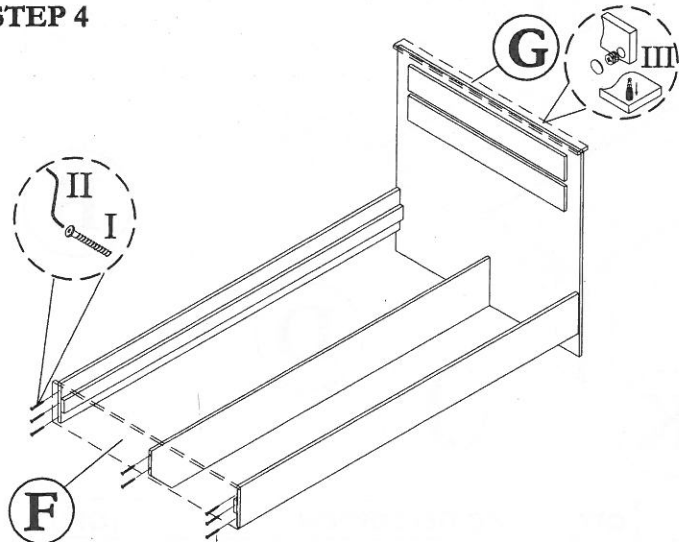
STEP 2



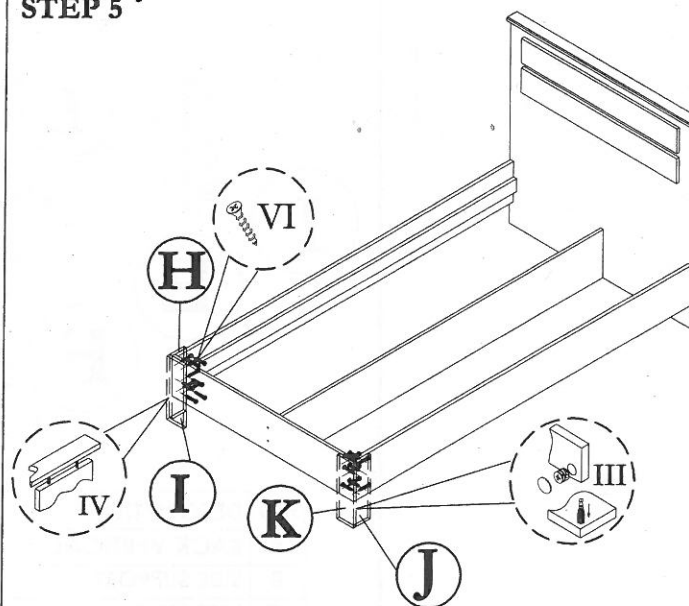
STEP 3



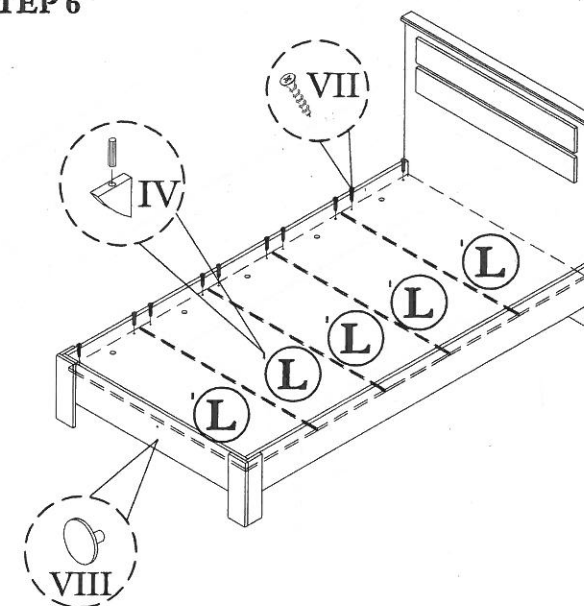
STEP 4



STEP 5



STEP 6



### HARDWARE LIST

NO	DESCRIPTION	QTY
I	JCBCW SCREW M6 x 60	16pcs
II	M4 ALLEN KEY	1pc

III	Q-FIT, CAP-2PCS	5sets
IV	M8 x 30 PLASTIC DOWEL	15pcs
V	PVC NAIL WITH PIN	9pcs
VI	M3.5 x 30 CHIPBOARD SCREW	46pcs

VII	M4 x 25 CHIPBOARD SCREW	20pcs
VIII	CAP SMALL	10pcs