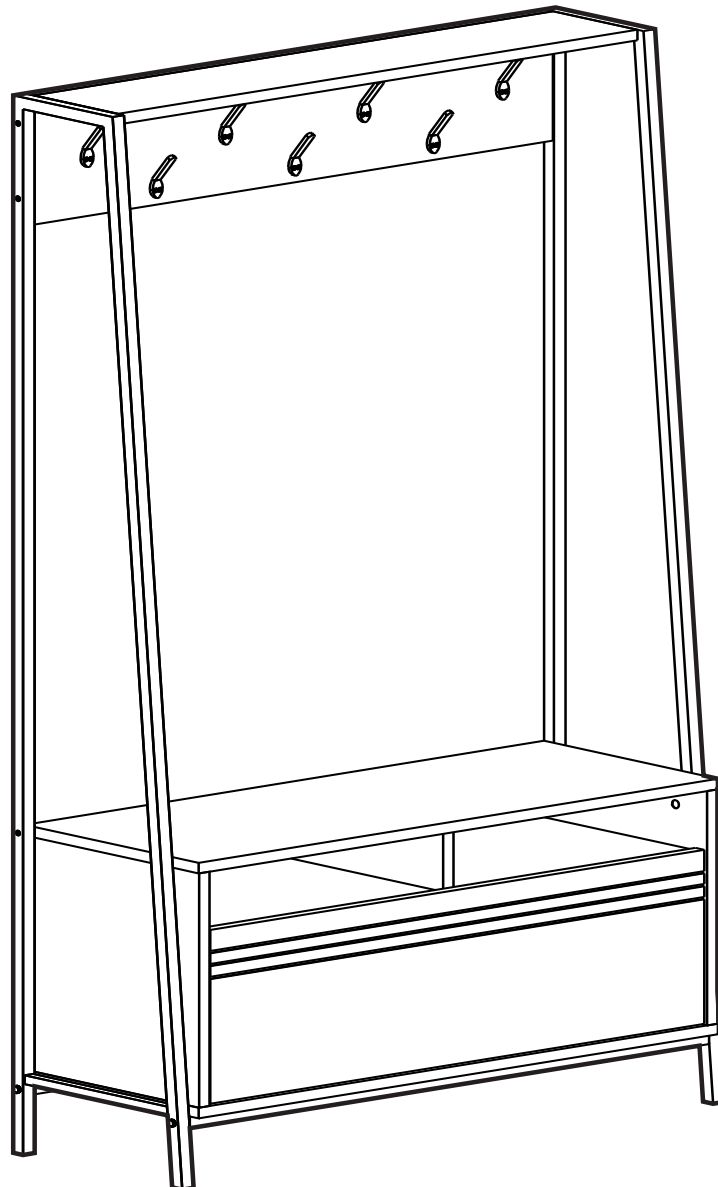


120-000381

Hall Tree

Assembly Instruction





Valued Customer,

We design and carefully manufacture our products for our customers, We wish that our customers to have fun while they are doing their new furniture

The product you just purchased was subjected to all sorts of tests and controls before sending out to you.

Hope you enjoy your new furniture.



Before starting, please check all components and accessories according to the provided list. If you purchased more than one product, to prevent confusion, be sure that you completed the first product, then start the next one. Please make sure that you select correct numbered part and use specific connector to assemble. We do not recommend any modification or rotation in assembly. Please follow the manual carefully.



Furniture parts are going to several manufacturing procedures. During this process, parts can have little dust or marks. Please clean the parts with damp cloth before assembly to get the best result. Usual cleaning would be suffice.



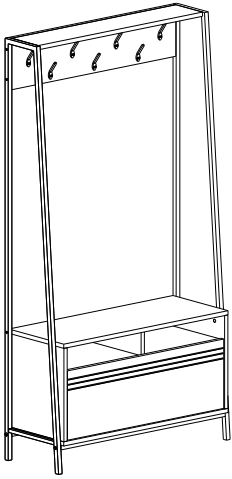
Although all products are carefully manufactured and packed, sometimes we experience damage during transportation. In such cases, please check the damaged part, note the part number written on the part and do not hesitate to contact us



Do not use your furniture for out of purposes. If you would like to use it out of purpose or would like to do some modification or rotation, please contact us for more details.

Please do not expose your furniture with excessive heat, cold and humidity because product can be affected negatively.

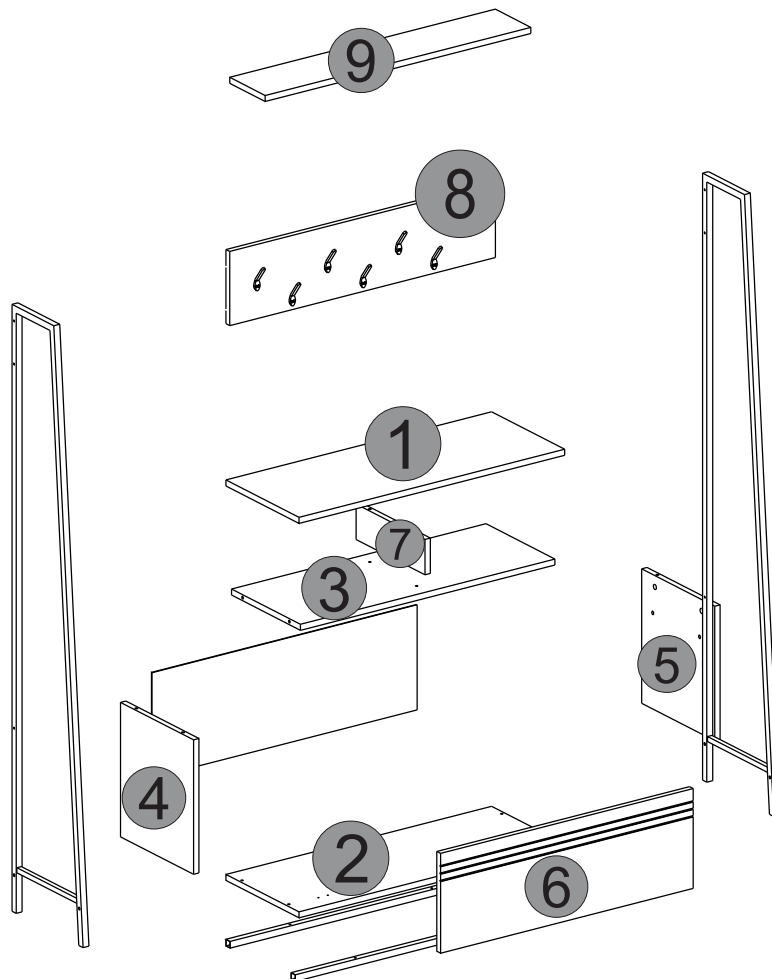
If you need your product to mount on the wall, Please use suitable rawlplug for your wall type. We send you rawlplugs suitable for concrete and brick walls.

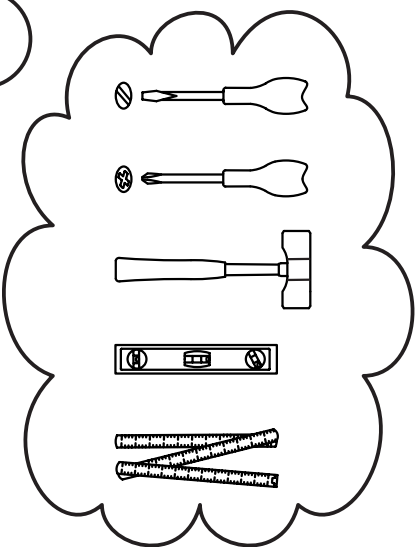
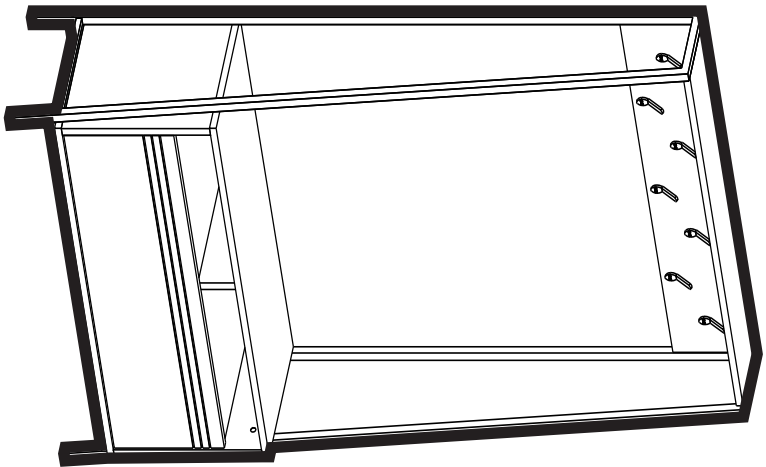


Disassembled Parts


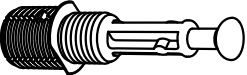


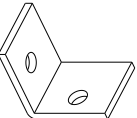
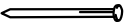
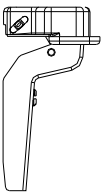
Part#1	1x
Part#2	1x
Part#3	1x
Part#4	1x
Part#5	1x
Part#6	1x
Part#7	1x
Part#8	1x
Part#9	1x




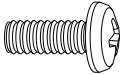
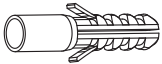
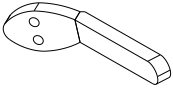
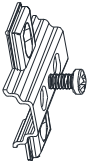
Total 9x

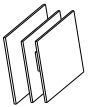





Tools & Installation Components

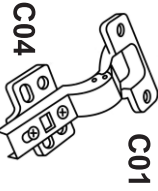
- 10X  A02 15x14 head
- 10X  A03 Q10 screw
- 4X  A18 3,5x35 Screw
- 9X  A19 3,5x18 Screw
- 1X  L01 L-bracket
- 1X  A28 nail
- 2X  C01 inset hinge

- 14X  A21 3,5x25 Screw
- 9X  A17 6x50 screw
- 9X  A23 4X50 Screw
- 4X  M3 m6x30 bolt
- 1X  D1 4x40 Rawlplug
- 7X  mtd-094 Hanger
- 2X  C04 Pivot

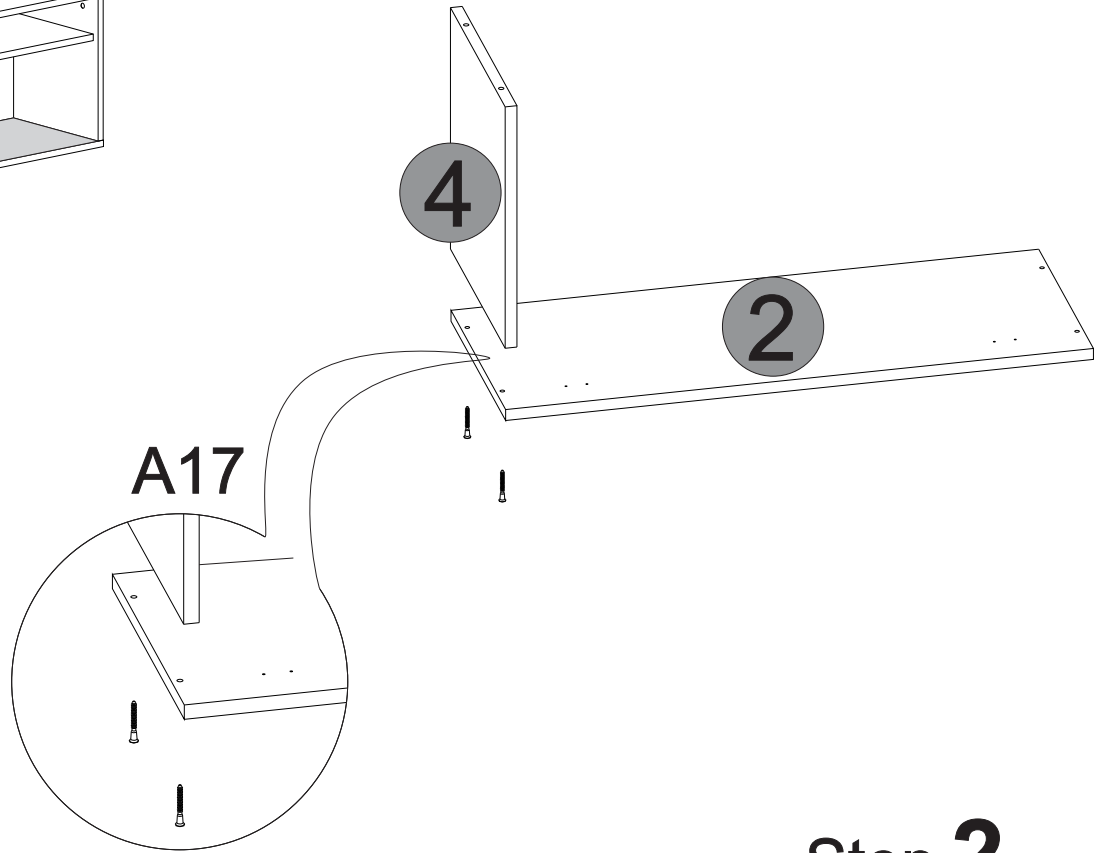
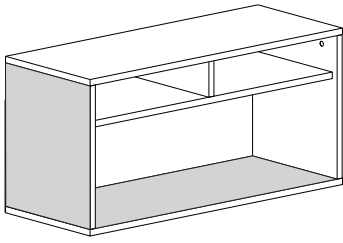
- 4X  20x20 plastik



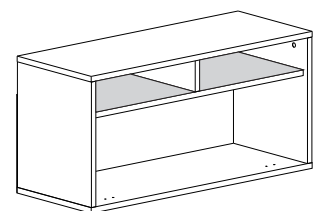
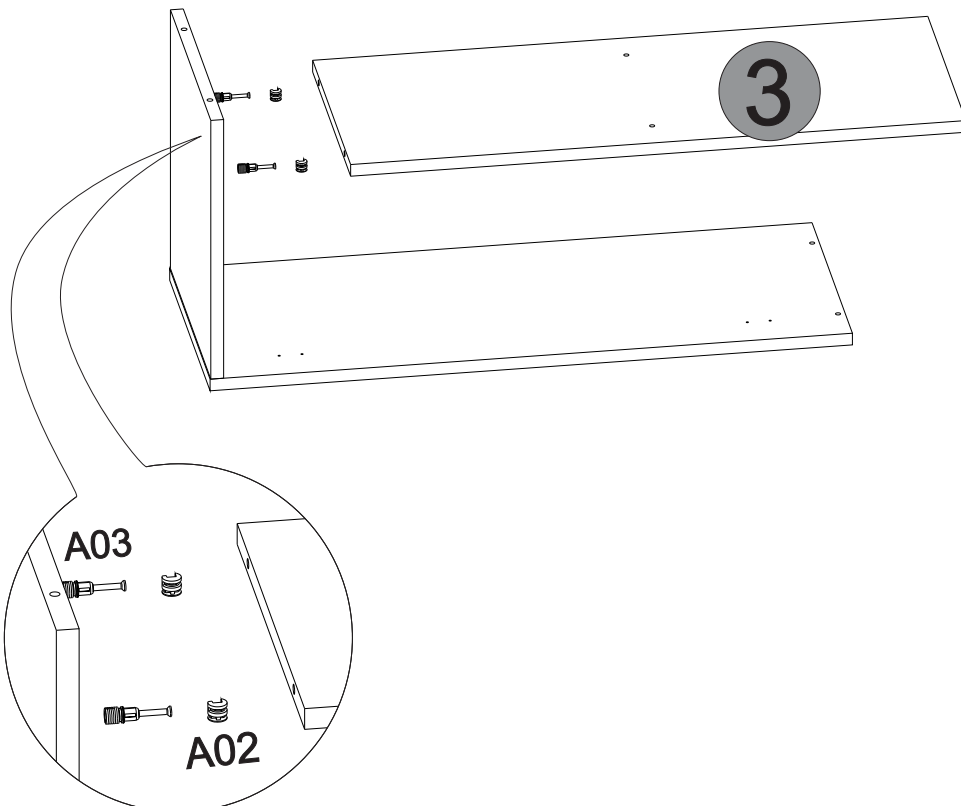
Please be aware that C01 (bracket) and C04 (pivot) parts may come as attached together.



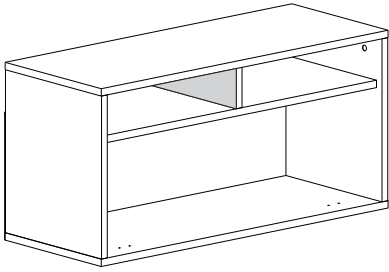
Step 1



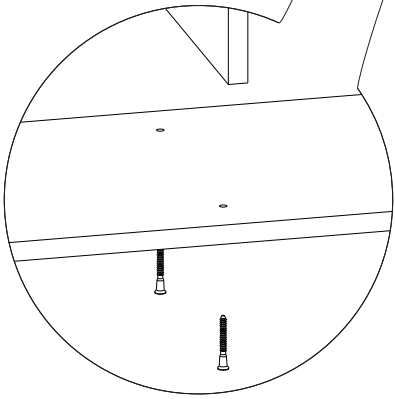
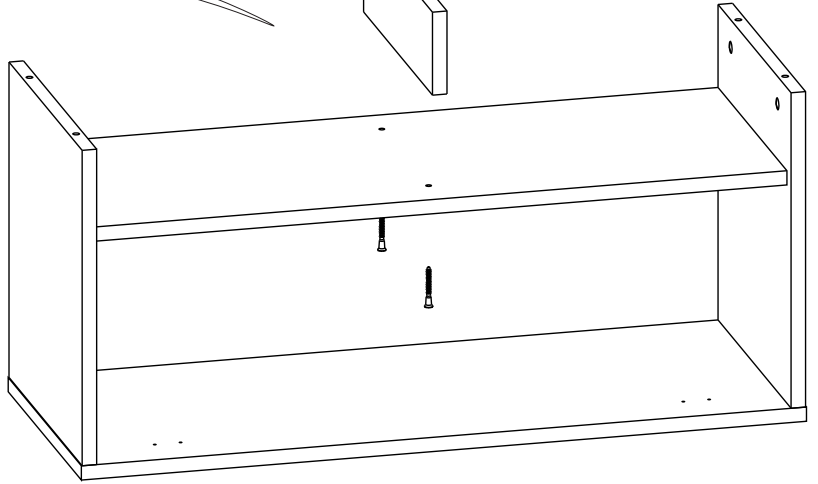
Step 2



Step 3



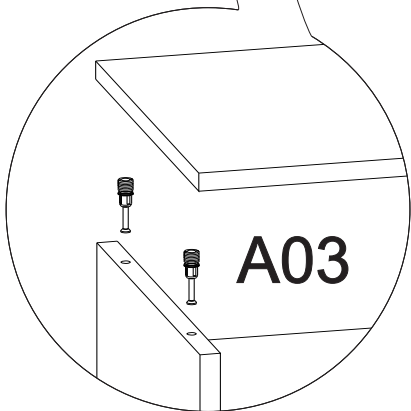
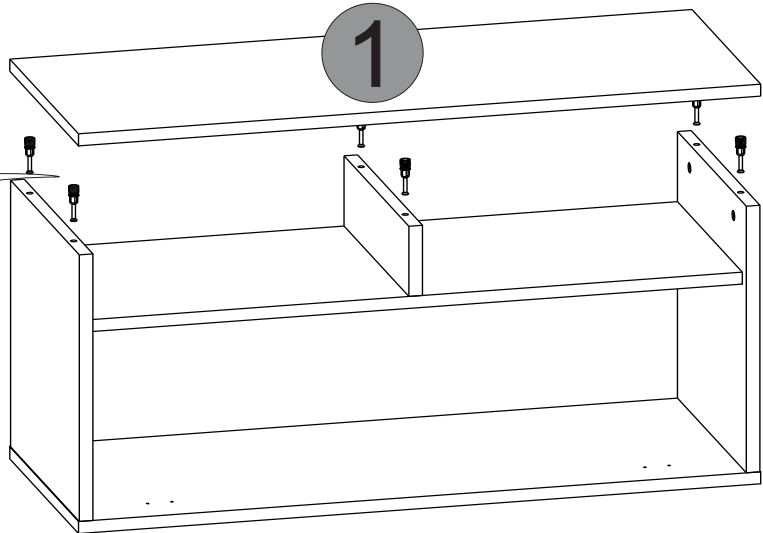
7



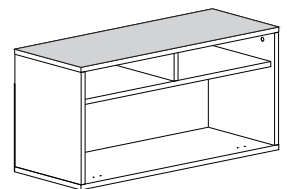
A17

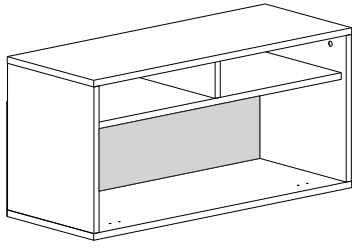
Step 4

1

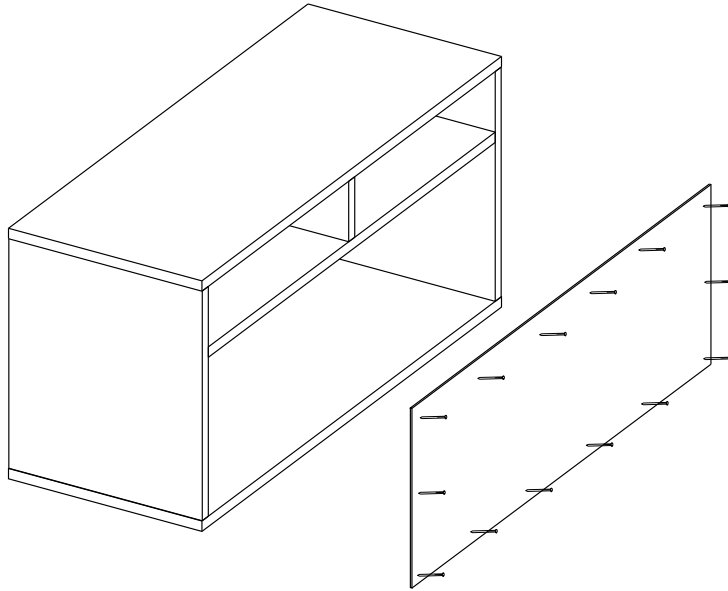


A03

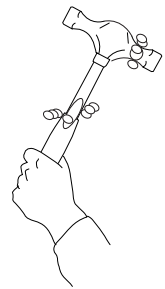




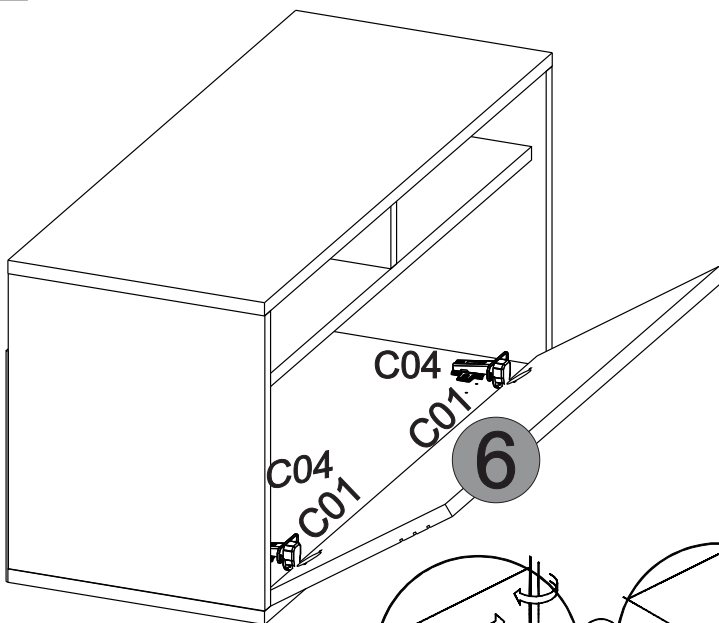
Step 5



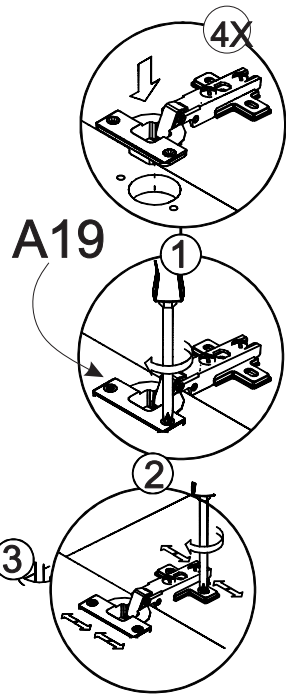
A28



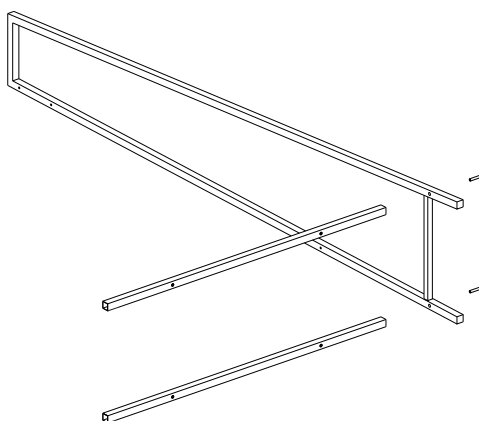
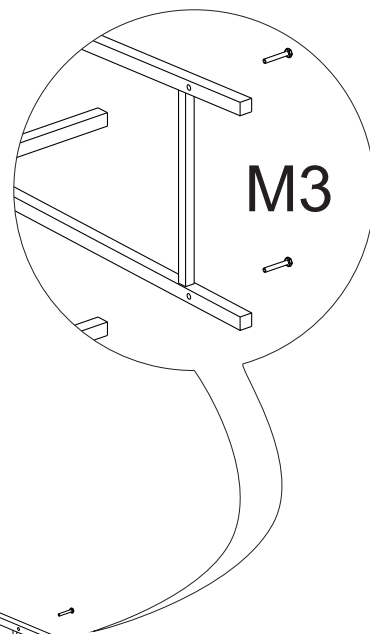
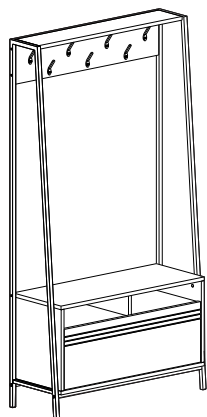
Step 6



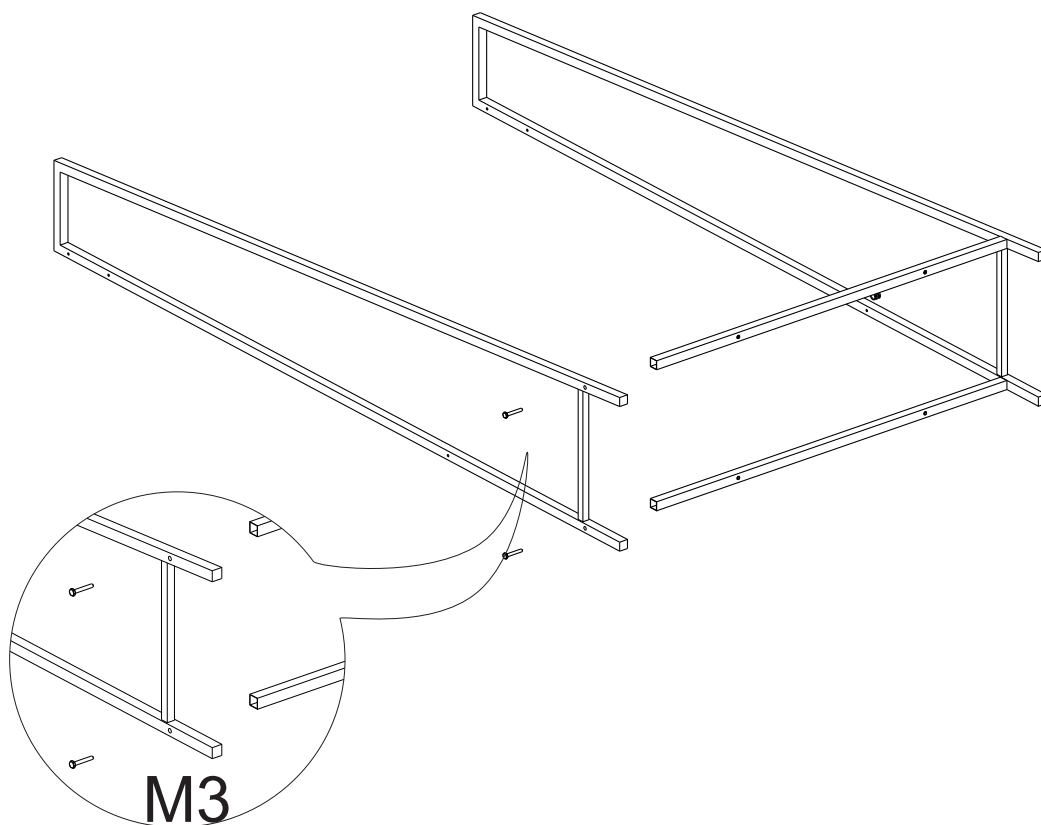
6



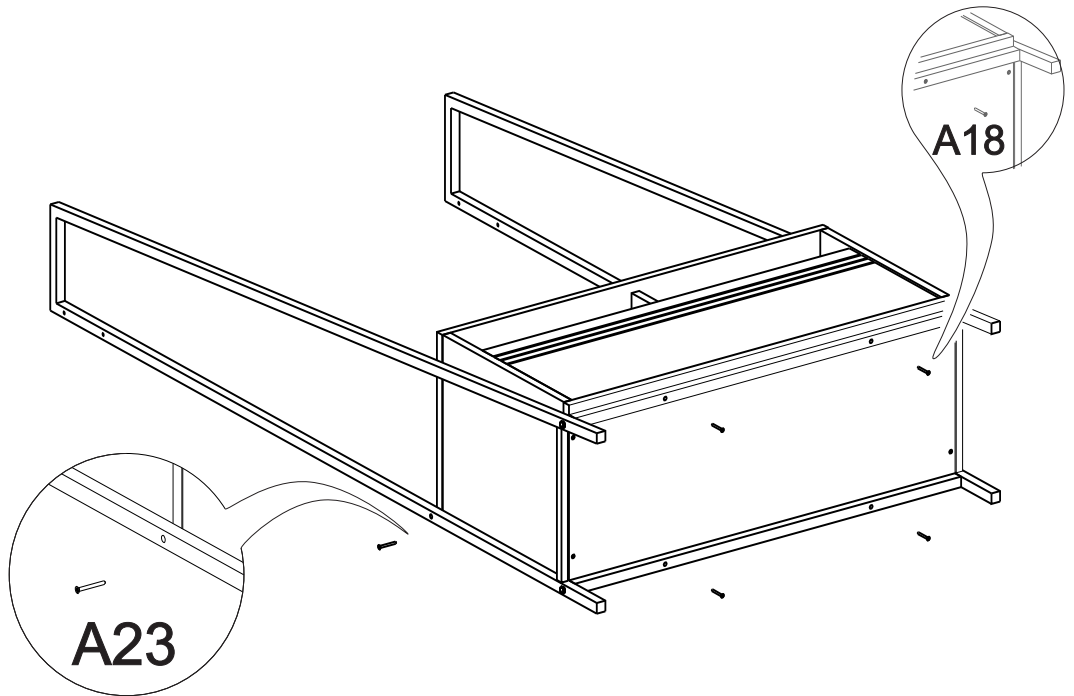
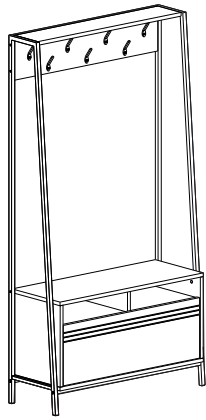
Step 7



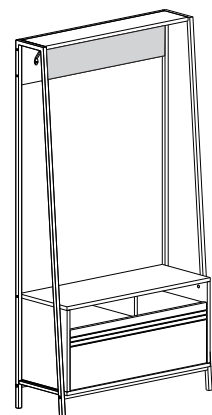
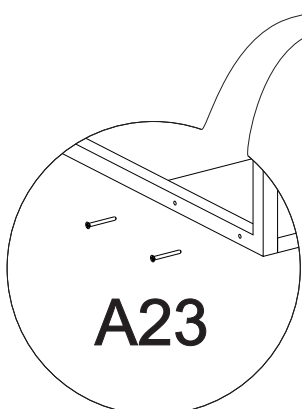
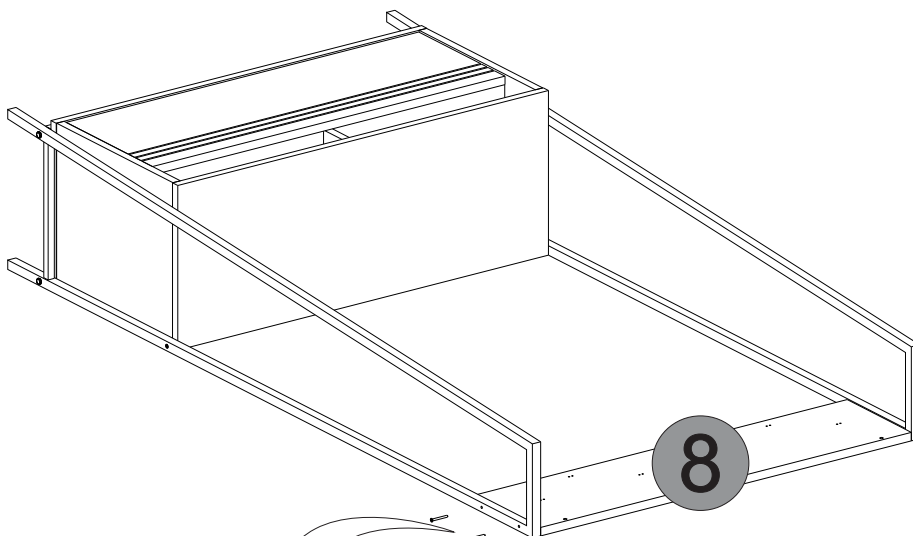
Step 8



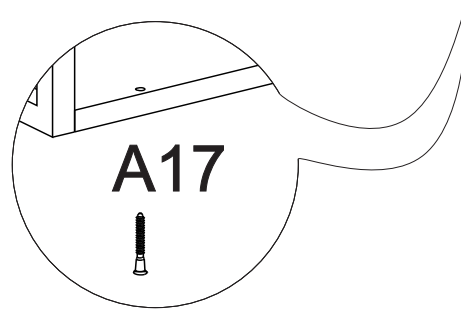
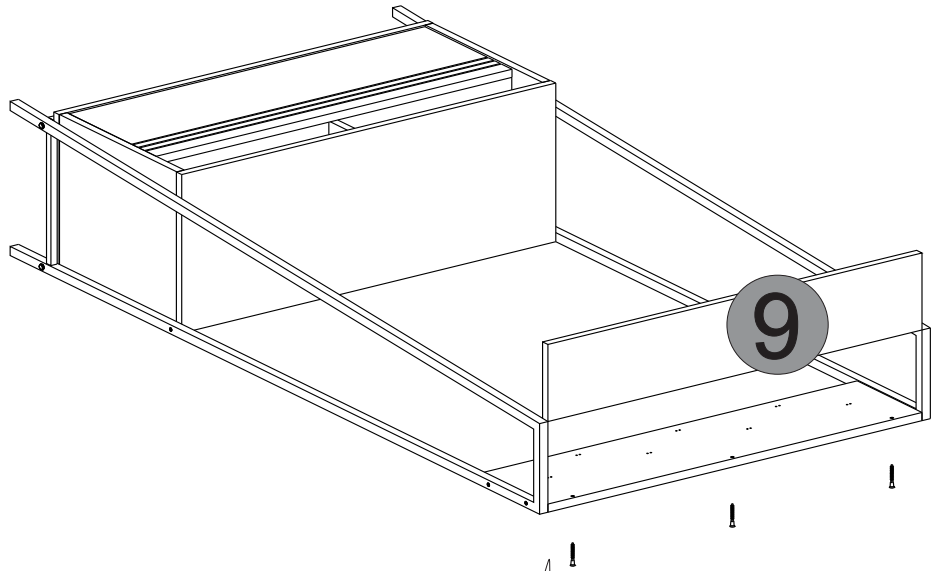
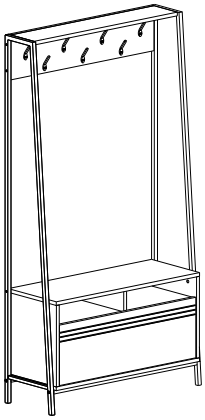
Step 9



Step 10



Step 11



Step 12

