



ASSEMBLY INSTRUCTION

Ax1

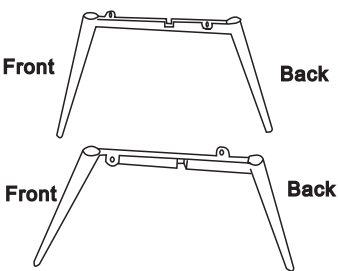


Dx4

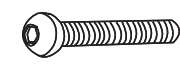


M6x16mm

Bx1

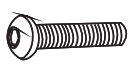


Ex4




M6x45mm

Cx1

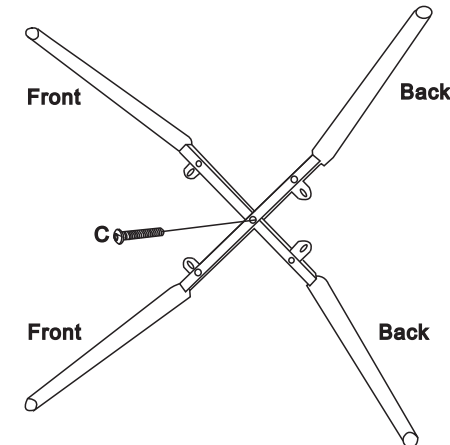


M6x30mm

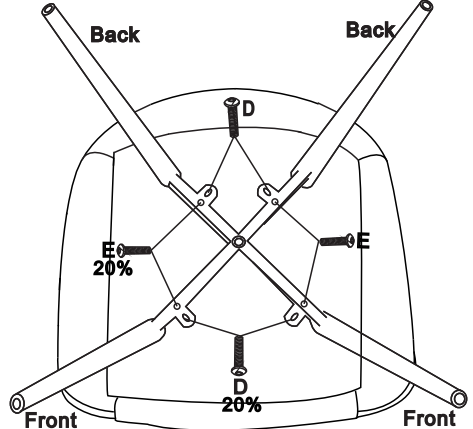
Fx1



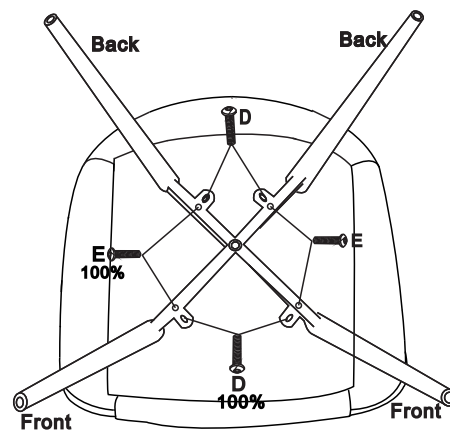
1



2



3



4

