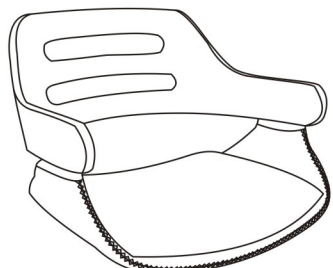
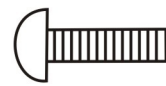


**AX1**

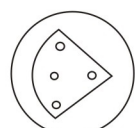



**DX12**

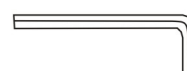


6x20

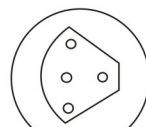

**BX2** Front Leg

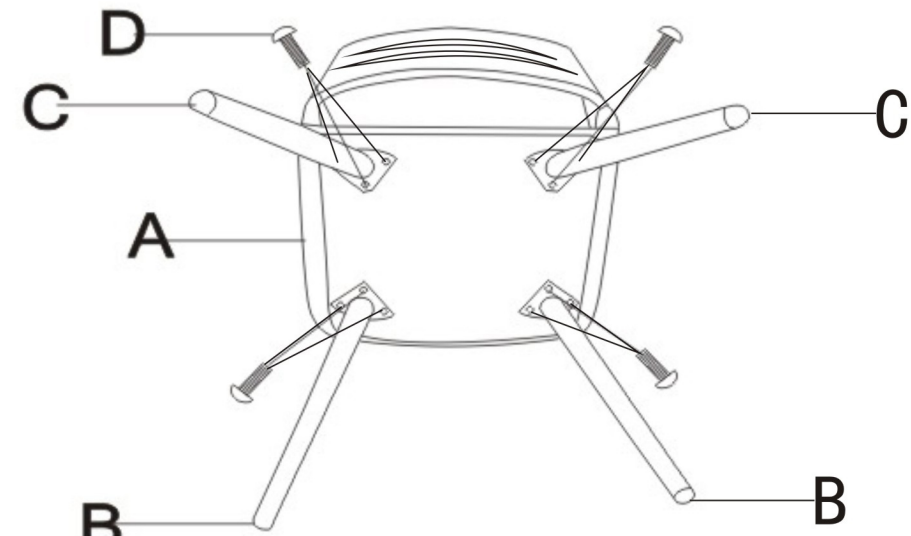
**EX1**



**CX2** Back Leg

**1**



**2**

