
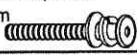






# ASSEMBLY INSTRUCTIONS

MODEL : WM1861-DC

**IMPORTANT NOTE :**

- \* PLACE ALL WOODEN PARTS ON A CLEAN AND SMOOTH SURFACE SUCH AS A RUG OR CARPET TO AVOID THE PARTS FROM BEING SCRATCHED.
- \* BEFORE YOU BEGIN, KINDLY FOLLOW THE ASSEMBLY INSTRUCTIONS STEP BY STEP.
- \* DO NOT TIGHTEN ALL SCREWS UNTIL THE CHAIR IS FULLY SET-UP.

HARDWARE LIST			PART LIST		
A	JCBC M6 x 25mm + S/W M6 + F/W M6 x 13mm 	4PCS	1	RIGHT SIDE FRAME	1PC
B	JCBC M6 x 45mm + S/W M6 + F/W M6 x 13mm 	4PCS	2	LEFT SIDE FRAME	1PC
C	ALLEN KEY M4 	1PC	3	FRONT STRETCHER	1PC
D	L BRACKET 	4PCS	4	BACK STRETCHER	1PC
E	PH SCREW M4 x 12mm 	8PCS	5	TOP REST	1PC
F	WOOD DOWEL M8 x 25mm 	2PCS	6	CUSHION SEAT	1PC

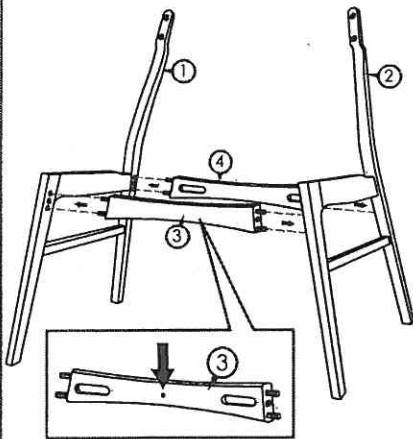
**CAUTIONS :**

(1) DO NOT FULLY-TIGHTEN THE NUT OR NUT BOLTS INITIALLY UNTIL ALL NUTS OR BOLT IS READY ASSEMBLED.

(TO AVOID CAUSING DAMAGES TO THE THREAD, DO NOT OVER-TIGHTEN THE NUTS OR BOLTS.)

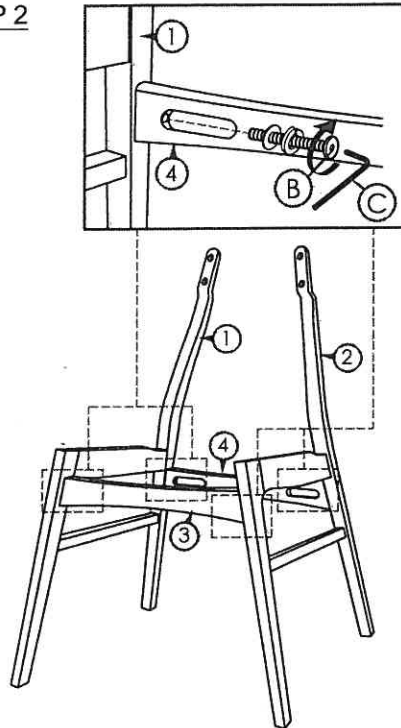
(2) KEEP ALL HARDWARE PART OUT OF REACH OF CHILDREN.

**STEP 1**

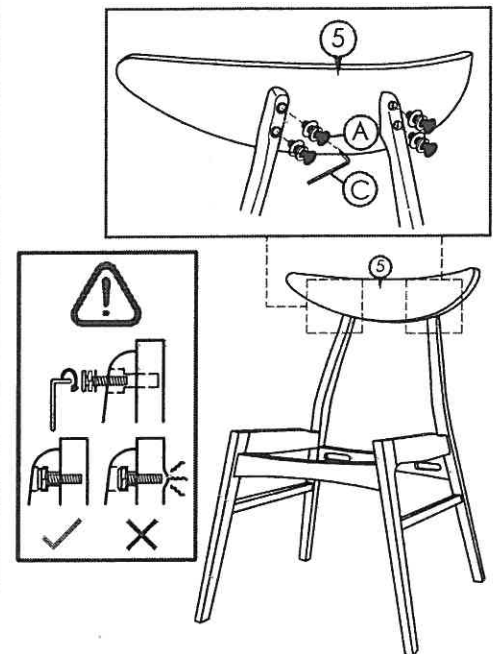


Front Stretcher has a small hole for identification.

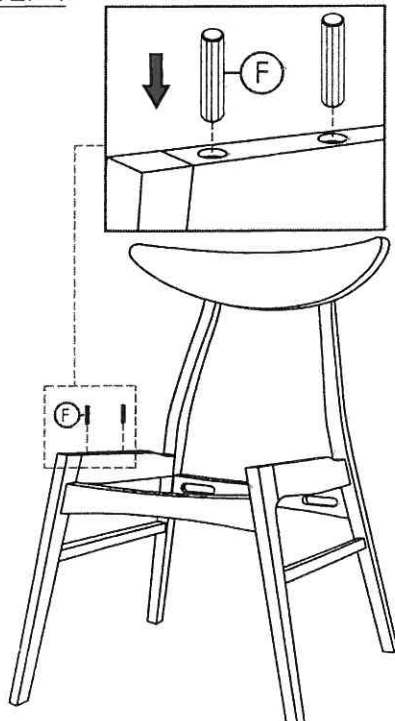
**STEP 2**



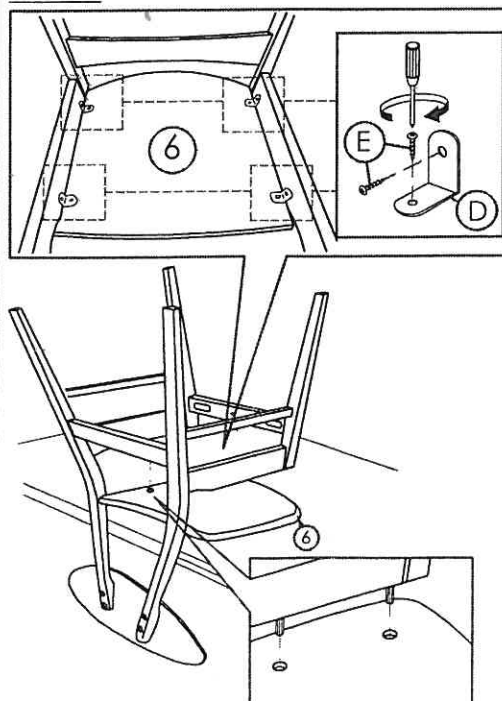
**STEP 3**



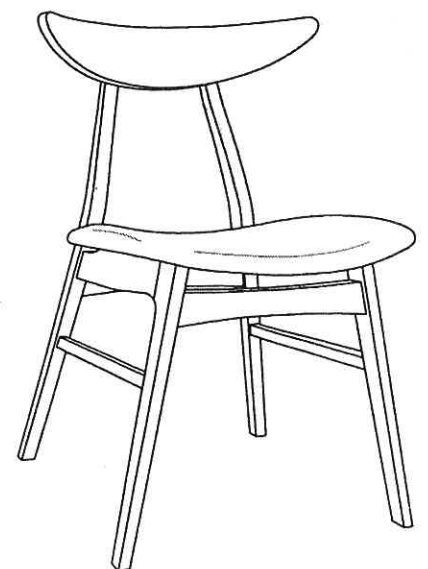
**STEP 4**



**STEP 5**



**STEP 6**



COMPLETED CHAIR ASSEMBLY.