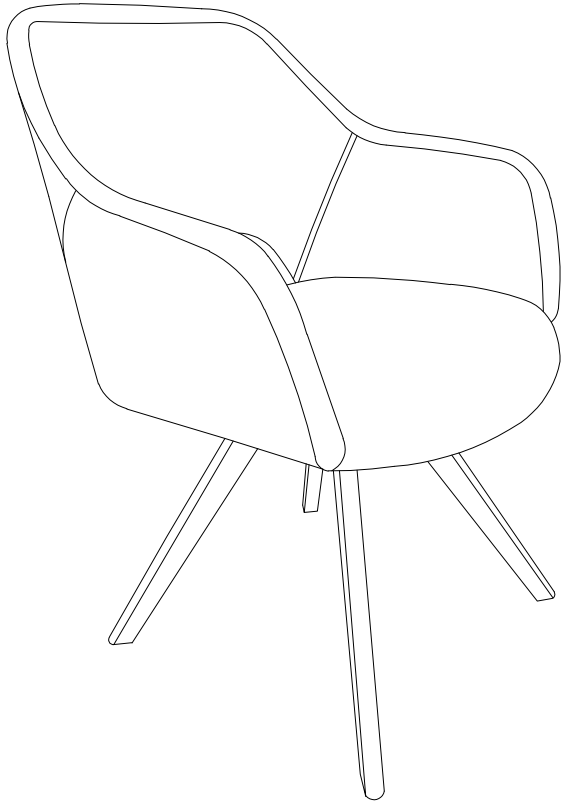




ASSEMBLY INSTRUCTION



| | | |
|----------|---|----------|
| A |  6# | 1 |
| B |  8x30mm | 4 |

