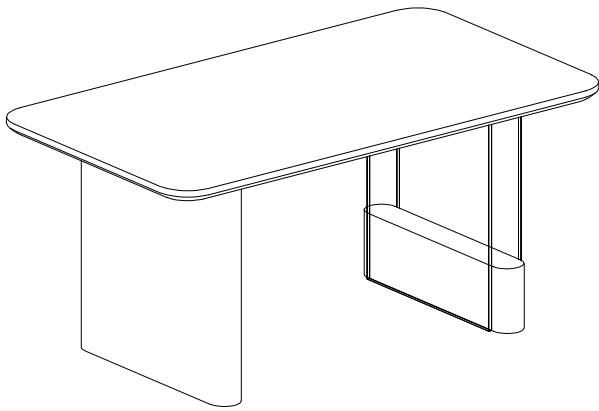


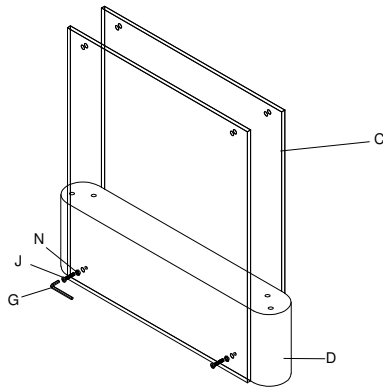
ASSEMBLY INSTRUCTION

093-000034

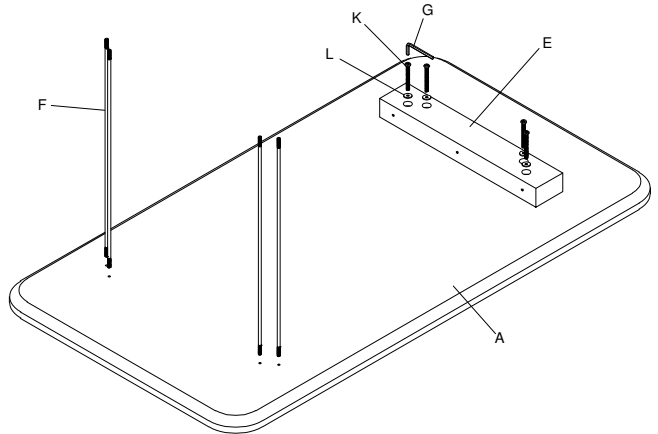


Ax1 	Bx1 	Cx2
Dx1 	Ex1 	Fx4
Gx1 	Hx1 	Jx10
Ix4 	Kx4 	Lx8
Mx10 	Nx10 	

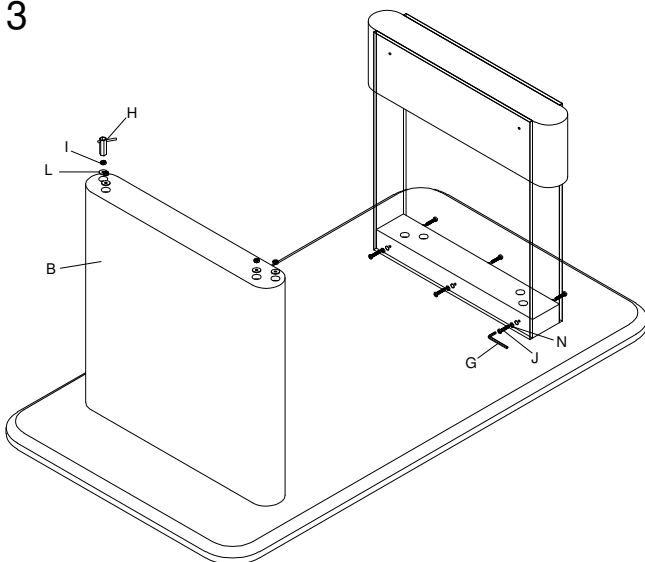
1



2



3



4

