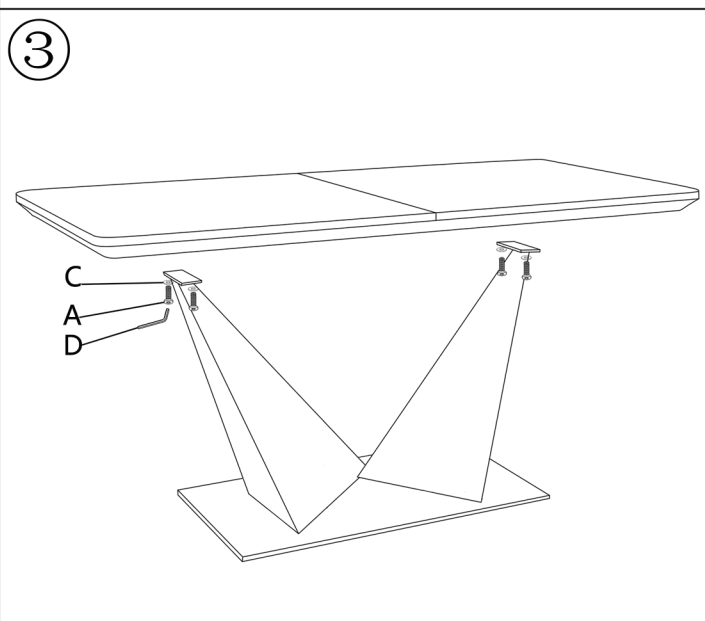
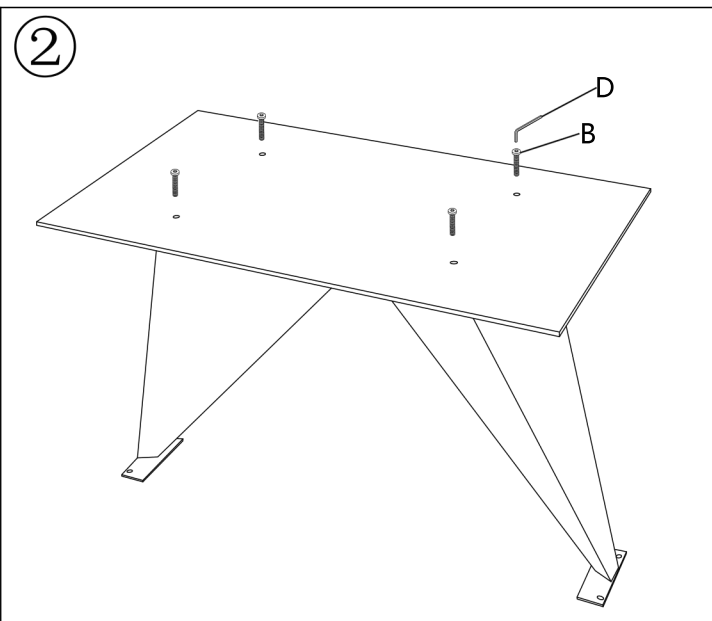
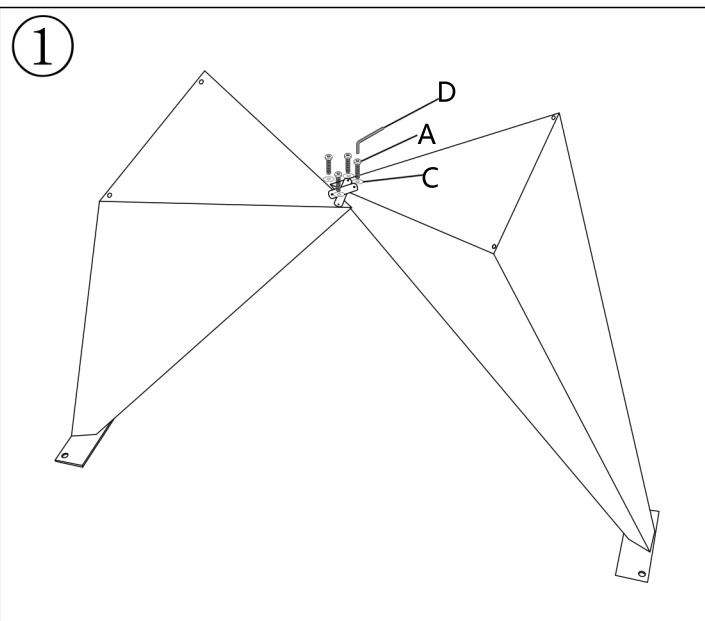



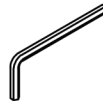


# ASSEMBLY INSTRUCTION



A		8
B		4
C		8
D		1

