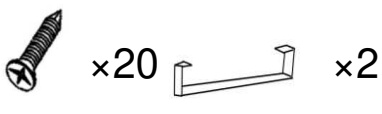
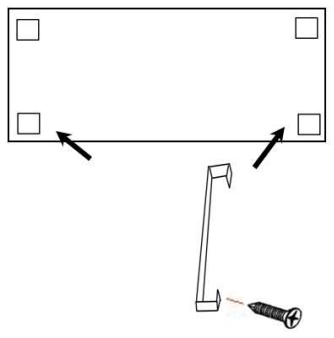
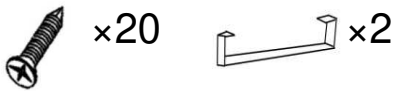
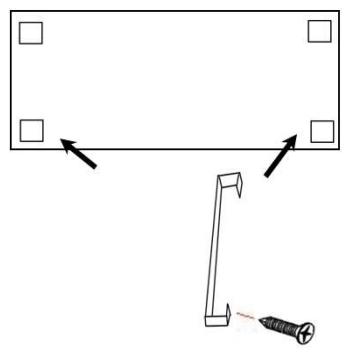
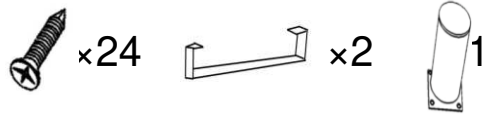
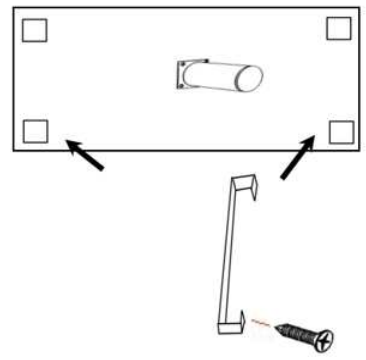


#1218 (3+2+1) ASSEMBLY INSTRUCTION

| 1 seater | 2 seater | 3 seater |
|--|--|--|
|   |   |   |

