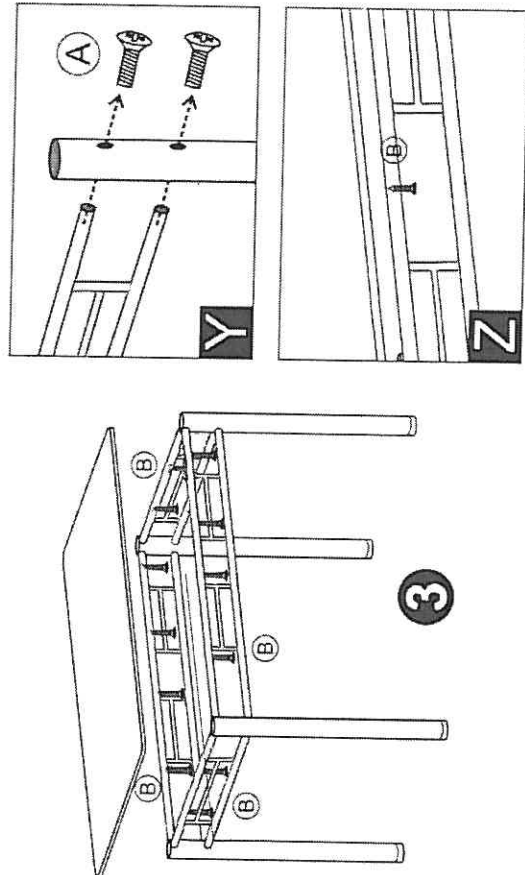
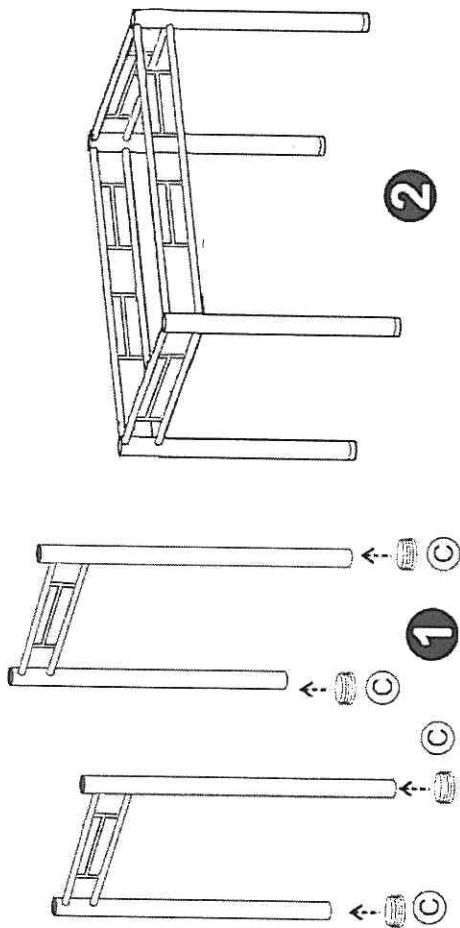


Item	(A)	(B)	(D)	(E)
Accessories				
QTY	8pcs*4	4pcs*4	6pcs*4	1pcs



Item	(A)	(B)	(C)
Accessories			
QTY	8pcs	12pcs	4pcs