

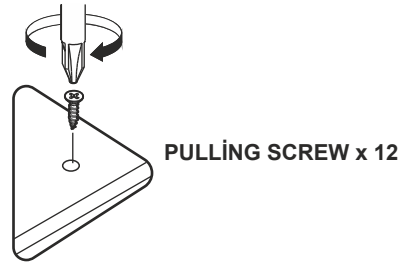
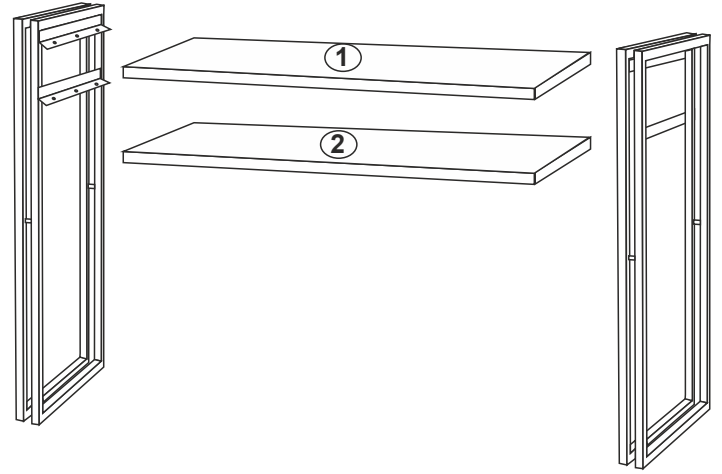
 <p>4x50 CHIPBOARD SCREW x 4</p>	 <p>PULLING SCREW x 12</p>	 <p>FOOT SEAL x 8</p>	



* FIX THE ACCESORIES AS SHOWN FOLLOW THE INSTALLATION SEQUENCE WHILE INSTALLING THE PRODUCT .



UV2060403 COSMO DRESUAR ASSEMBLY GUIDE

