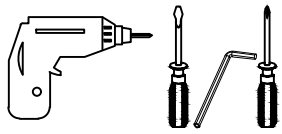


# STL-DK02 Assembly Drawing




Pakketo code:069-000035

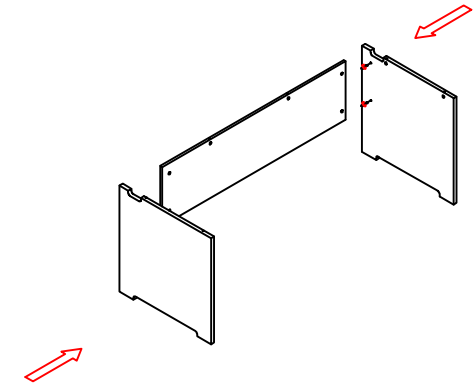
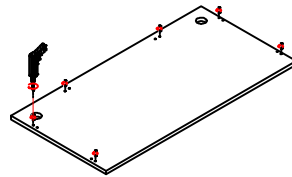
Size:W1800\*D750\*H750

Tools



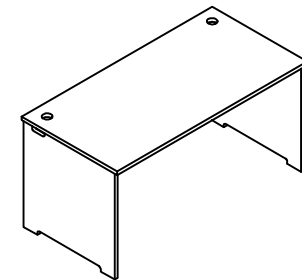
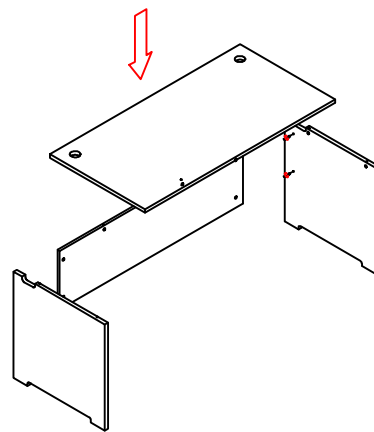
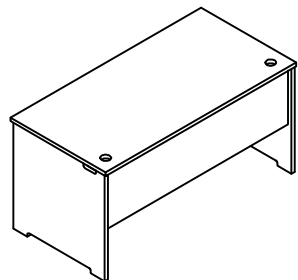
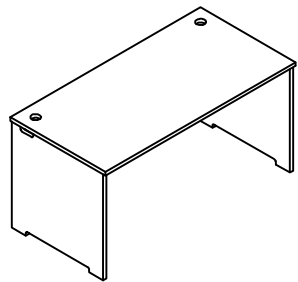
## Connecting Parts

A		10	G		
B		10	H		
C		6	J		
D			K		
E			L		
F			M		



1  
3

2  
4



Finish