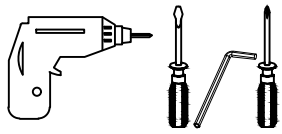


STL-DK02 Assembly Drawing

Pakketo code:069-000031

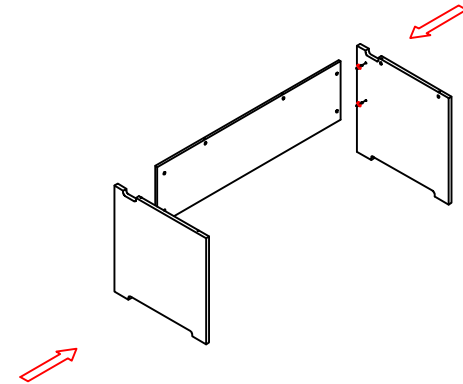
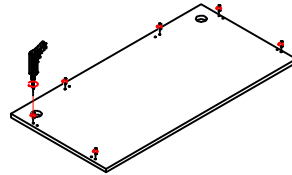
Size:W1200*D750*H750

Tools

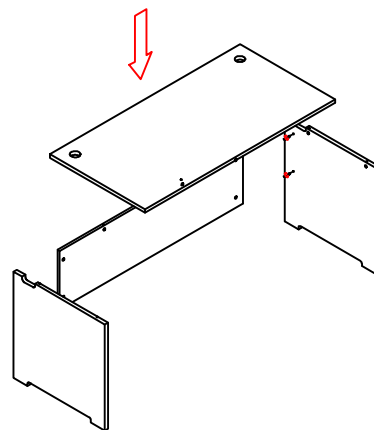
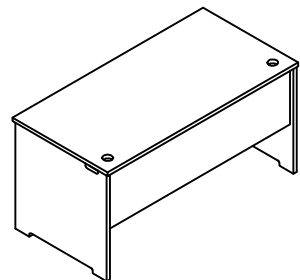
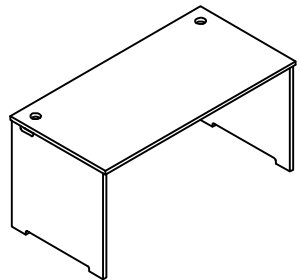


Connecting Parts

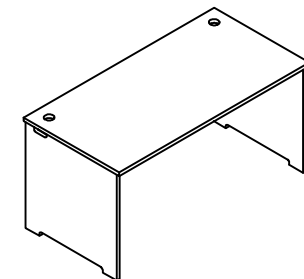
A		10	G		
B		10	H		
C			J		
D			K		
E			L		
F			M		



1
3



2
4



Finish