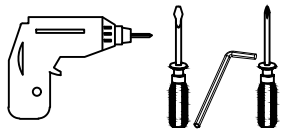


STL-DK01 Assembly Drawing

Pakketo code:069-00029

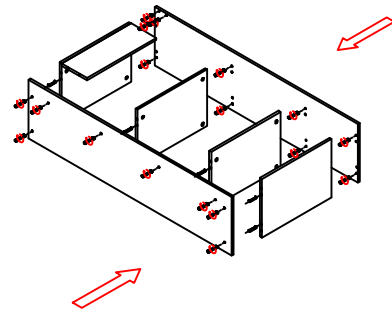
Size:W1800*D1600*H760

Tools

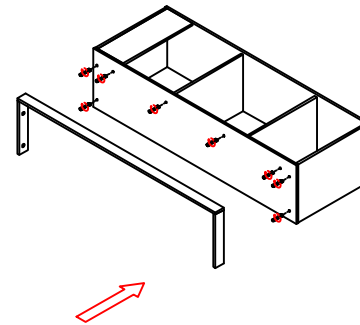


Connecting Parts

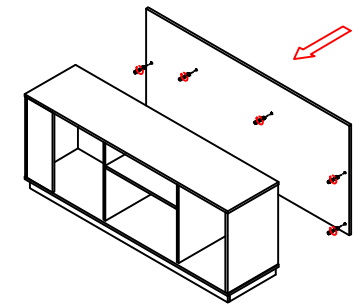
| | | | | | |
|---|--|----|---|--|----|
| A | | 62 | G | | 30 |
| B | | 20 | H | | 4 |
| C | | 2 | J | | 1 |
| D | | 1 | K | | 1 |
| E | | 2 | L | | |
| F | | 4 | M | | |



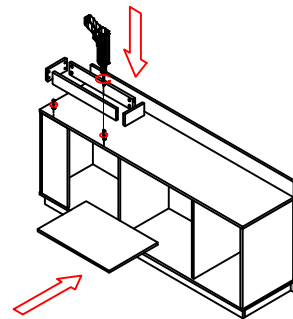
1



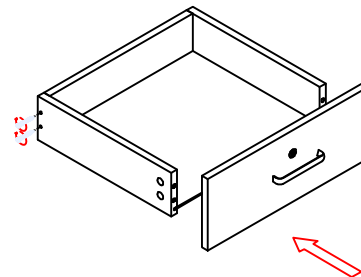
2



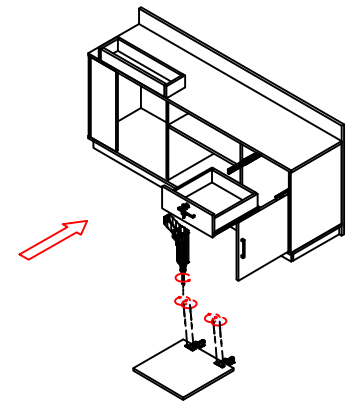
3



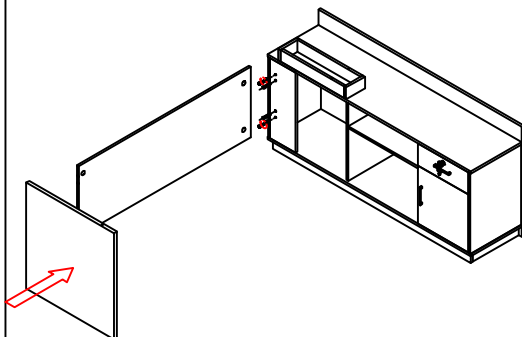
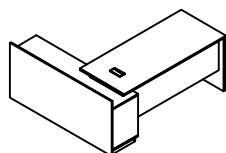
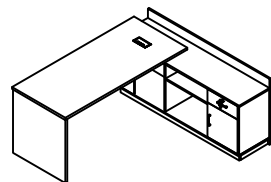
4



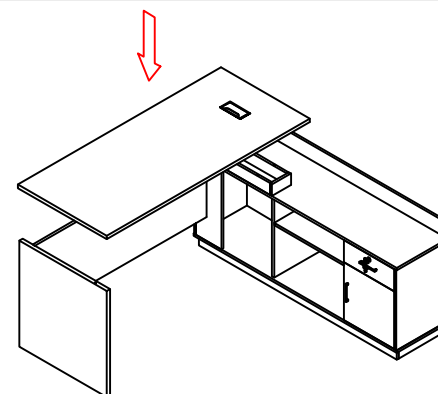
5



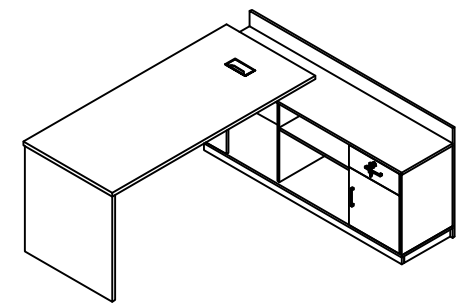
6



7



8



Finish